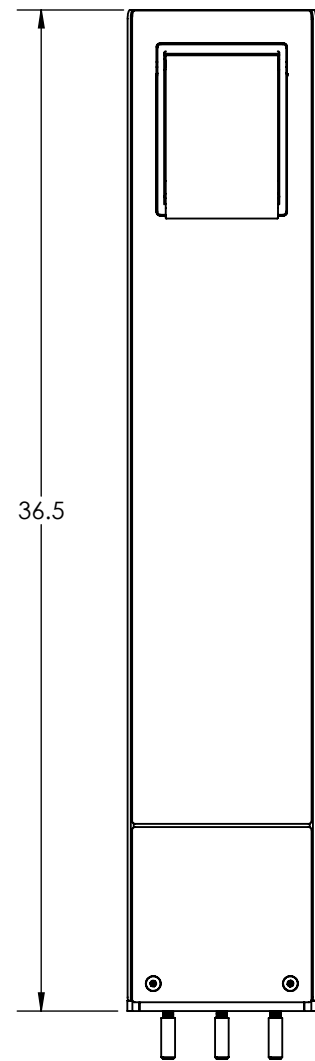


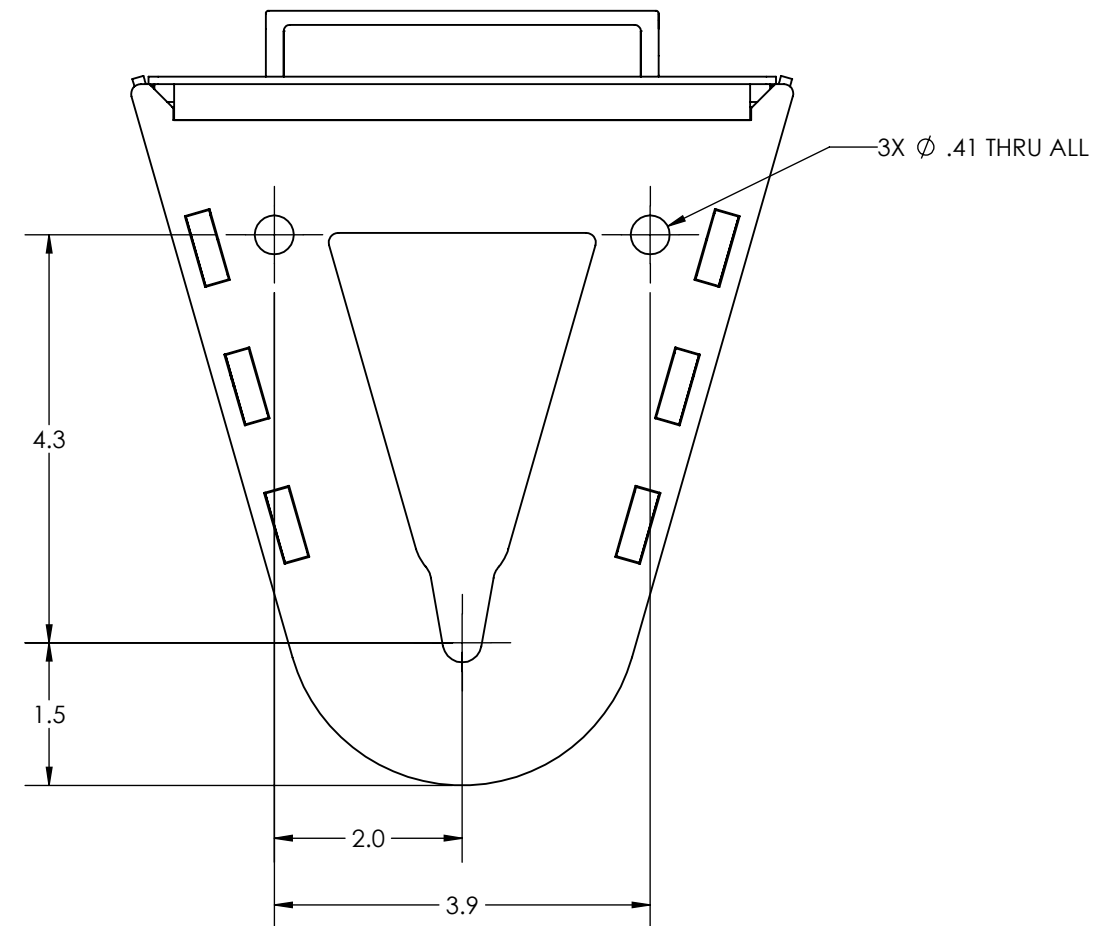
TOP VIEW



FRONT VIEW



RIGHT VIEW



BOTTOM VIEW

CUSTOMER APPROVAL:

X \_\_\_\_\_

DATE:

X \_\_\_\_\_

UNLESS OTHERWISE SPECIFIED:  
 1. PRIMARY DIM. ARE IN INCHES & SECONDARY [DIM] IN MM  
 2. TOLERANCES  
 FRACTIONAL: ±1/32; ANGULAR/BEND: ±1°  
 TWO PLACE DECIMAL ±.030  
 THREE PLACE DECIMAL ±.020  
 3. REMOVE ALL BURRS AND SHARP EDGES

THIRD ANGLE PROJECTION

MATERIAL: SEE DATA SHEET

FINISH: SEE DATA SHEET

WEIGHT: SEE DATA SHEET

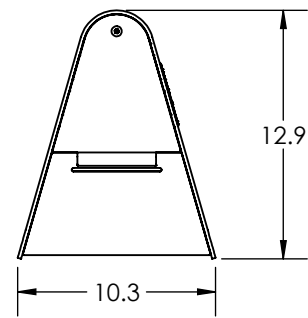
SCALE: NOT TO SCALE

**FORMS+SURFACES** 30 Pine Street, Pittsburgh, PA 15223  
 Tel (412) 781-9003 Fax (412) 781-7840

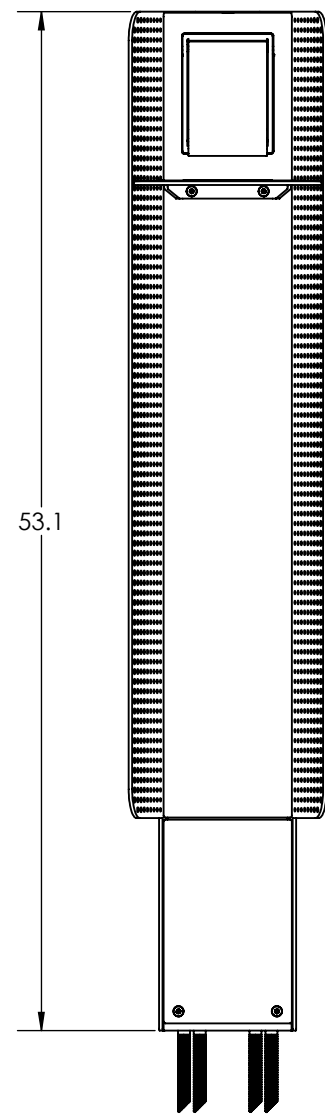
NAME	DATE
DWN	8/8/22
STF	
CHK	

DESCRIPTION:			
<b>TENZA CHARGING STATION SATNZ,36,SS,1G,SAT</b>			
SIZE	DWG. NO.	REV	SHEET
B	SATNZ-36-CS	0	1 OF 1

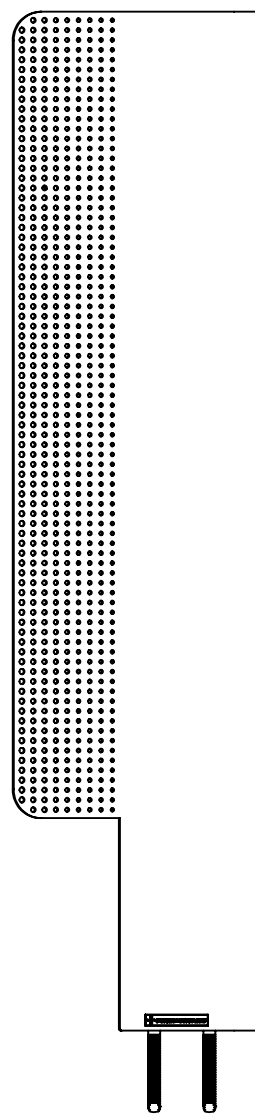
**PROPRIETARY AND CONFIDENTIAL**  
 THE INFORMATION CONTAINED IN THIS DRAWING IS THE SOLE PROPERTY OF FORMS + SURFACES. ANY REPRODUCTION IN PART OR AS A WHOLE WITHOUT WRITTEN PERMISSION IS PROHIBITED.



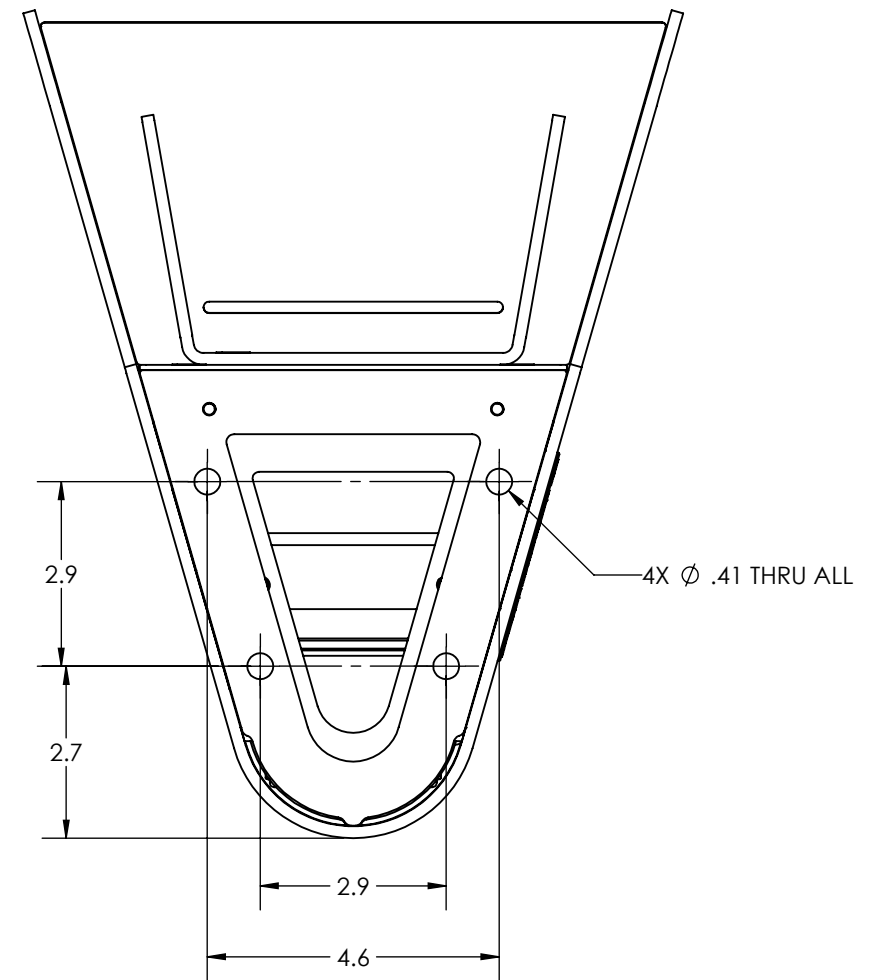
TOP VIEW



FRONT VIEW



RIGHT VIEW



BOTTOM VIEW

CUSTOMER APPROVAL:

X \_\_\_\_\_

DATE:

X \_\_\_\_\_

UNLESS OTHERWISE SPECIFIED:  
 1. PRIMARY DIM. ARE IN INCHES & SECONDARY [DIM] IN MM  
 2. TOLERANCES  
 FRACTIONAL:  $\pm 1/32$ ; ANGULAR/BEND:  $\pm 1^\circ$   
 TWO PLACE DECIMAL  $\pm .030$   
 THREE PLACE DECIMAL  $\pm .020$   
 3. REMOVE ALL BURRS AND SHARP EDGES



30 Pine Street, Pittsburgh, PA 15223  
 Tel (412) 781-9003 Fax (412) 781-7840

THIRD ANGLE PROJECTION

MATERIAL: SEE DATA SHEET

FINISH: SEE DATA SHEET

WEIGHT: SEE DATA SHEET

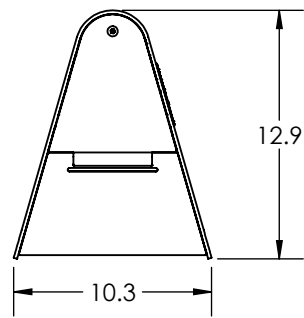
SCALE: NOT TO SCALE

NAME	DATE
DWN	5/23/22
CHK	

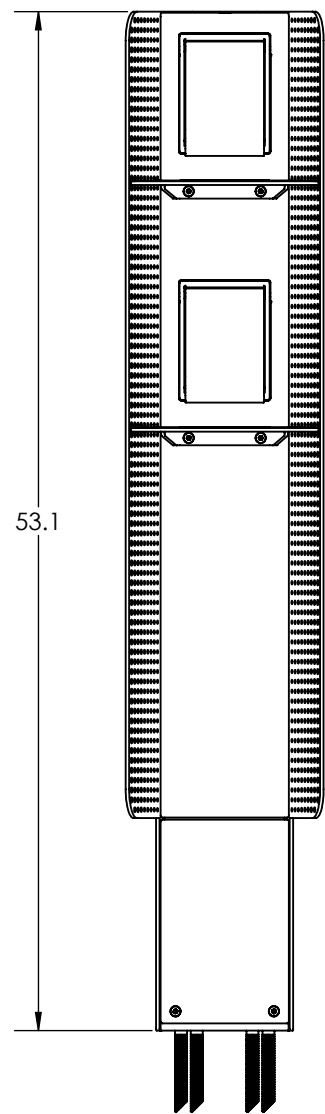
DO NOT SCALE DRAWING

PROPRIETARY AND CONFIDENTIAL  
 THE INFORMATION CONTAINED IN THIS DRAWING IS THE SOLE PROPERTY OF FORMS + SURFACES. ANY REPRODUCTION IN PART OR AS A WHOLE WITHOUT WRITTEN PERMISSION IS PROHIBITED.

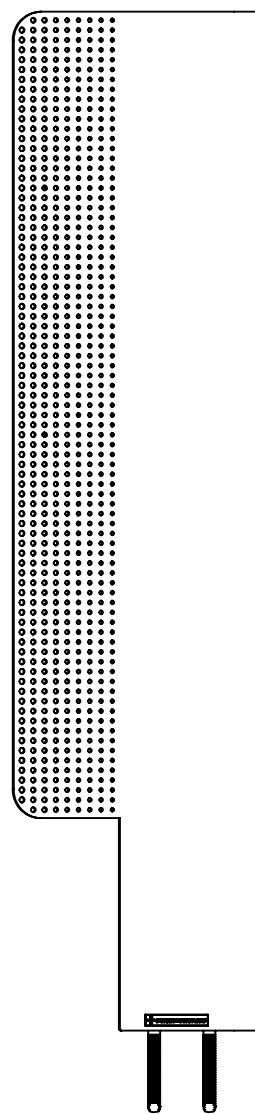
DESCRIPTION:			
<b>TENZA CHARGING STATION SATNZ,53,AL,1G,PC</b>			
SIZE	DWG. NO.	REV	SHEET
B	SATNZ-53-1G-CS	0	1 OF 1



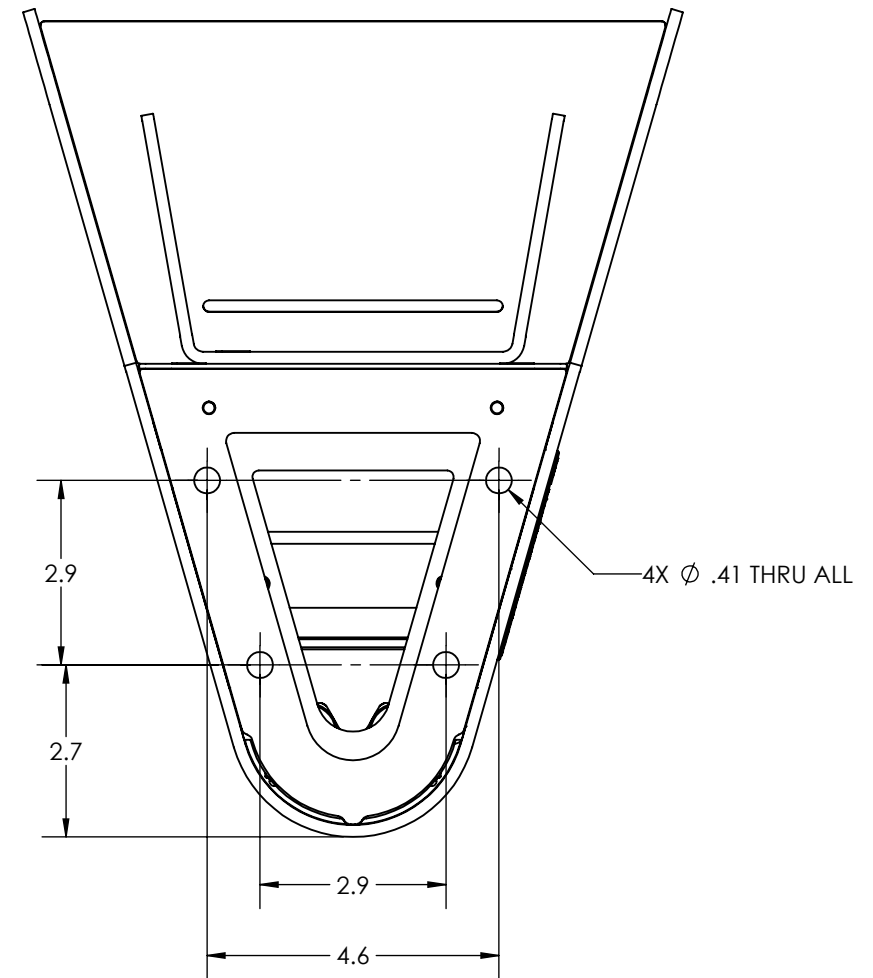
TOP VIEW



FRONT VIEW



RIGHT VIEW



BOTTOM VIEW

CUSTOMER APPROVAL:

X \_\_\_\_\_

DATE:

X \_\_\_\_\_

UNLESS OTHERWISE SPECIFIED:  
 1. PRIMARY DIM. ARE IN INCHES &  
 SECONDARY [DIM] IN MM  
 2. TOLERANCES  
 FRACTIONAL:  $\pm 1/32$ ; ANGULAR/BEND:  $\pm 1^\circ$   
 TWO PLACE DECIMAL  $\pm .030$   
 THREE PLACE DECIMAL  $\pm .020$   
 3. REMOVE ALL BURRS AND SHARP EDGES



30 Pine Street, Pittsburgh, PA 15223  
 Tel (412) 781-9003 Fax (412) 781-7840

THIRD ANGLE PROJECTION

MATERIAL: SEE DATA SHEET

FINISH: SEE DATA SHEET

WEIGHT: SEE DATA SHEET

SCALE: NOT TO SCALE

NAME	DATE
DWN	5/23/22
STF	
CHK	

DESCRIPTION:

**TENZA CHARGING STATION**  
**SATNZ,53,AL,2G,PC**

SIZE	DWG. NO.	REV	SHEET
B	SATNZ-53-2G-CS	0	1 OF 1

PROPRIETARY AND CONFIDENTIAL  
 THE INFORMATION CONTAINED IN THIS  
 DRAWING IS THE SOLE PROPERTY OF  
 FORMS + SURFACES. ANY REPRODUCTION  
 IN PART OR AS A WHOLE WITHOUT  
 WRITTEN PERMISSION IS PROHIBITED.