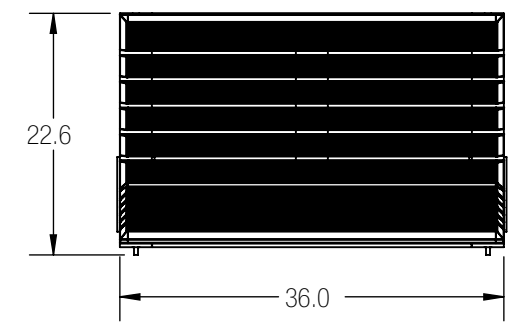
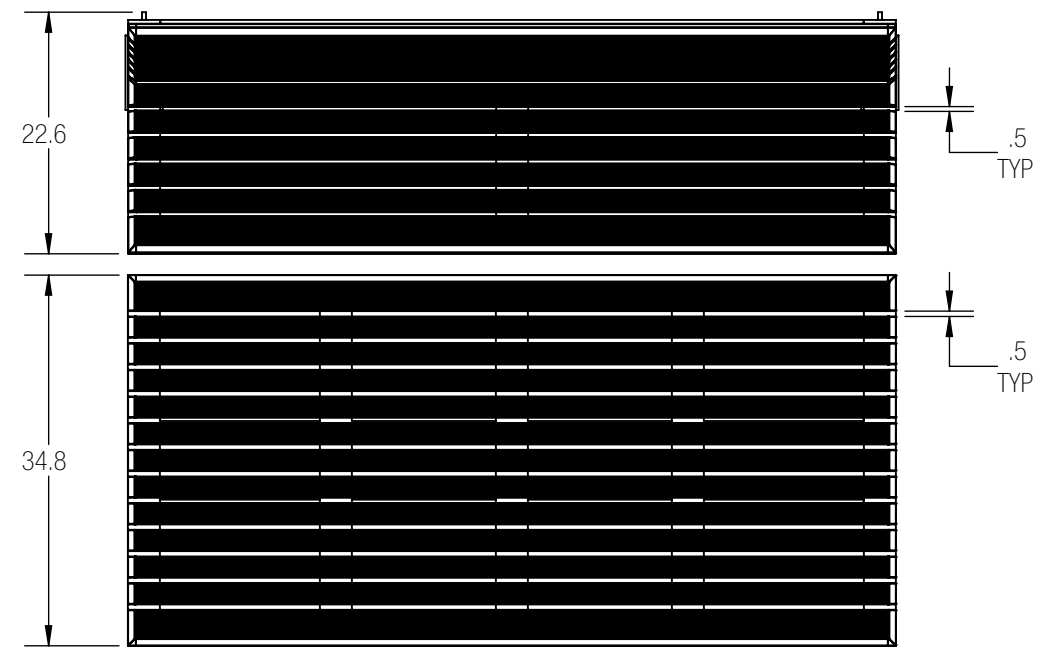
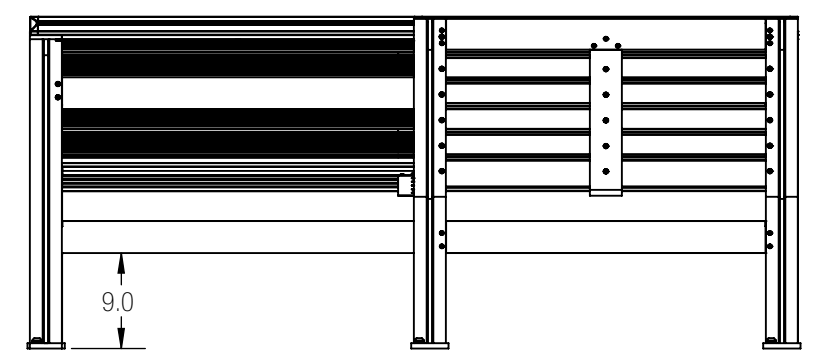


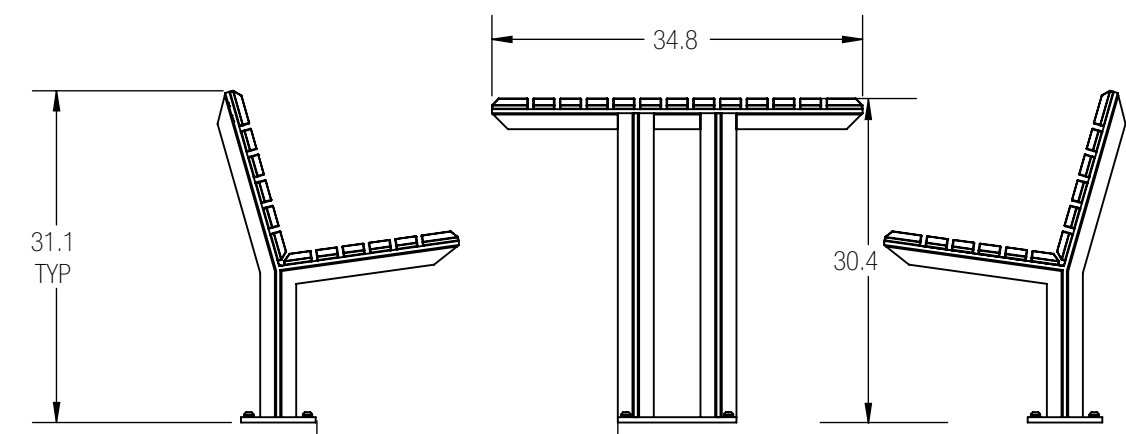
8 7 6 5 4 3 2 1



TOP VIEW



FRONT VIEW



SIDE VIEW

UNLESS OTHERWISE SPECIFIED:
 1. PRIMARY DIM. ARE IN INCHES & SECONDARY [DIM] IN MM
 2. TOLERANCES
 FRACTIONAL: ±1/32; ANGULAR/BEND: ±1°
 TWO PLACE DECIMAL ±.030
 THREE PLACE DECIMAL ±.020
 3. REMOVE ALL BURRS AND SHARP EDGES
 THIRD ANGLE PROJECTION
 MATERIAL: REFER SO
 FINISH: - REFER SO
 WEIGHT: - 424.00 LBS
 SCALE: N.T.S



30 Pine Street, Pittsburgh, PA 15223
 Tel (412) 781-9003 Fax (412) 781-7840

NAME	DATE	DESCRIPTION:
DWN MGJ	04/23/2018	KNIGHT TABLE ENSEMBLE ADA, BACKED, ALUMINUM SLATS STKNI-72BA-ADA
CHK AKS	04/23/2018	
DO NOT SCALE DRAWING		
PROPRIETARY AND CONFIDENTIAL		
THE INFORMATION CONTAINED IN THIS DRAWING IS THE SOLE PROPERTY OF FORMS + SURFACES. ANY REPRODUCTION IN PART OR AS A WHOLE WITHOUT WRITTEN PERMISSION IS PROHIBITED.		

SIZE	DWG. NO.	REV	SHEET
B	STKNI-72BA-ADA	0	1 OF 1

8 7 6 5 4 3 2 1