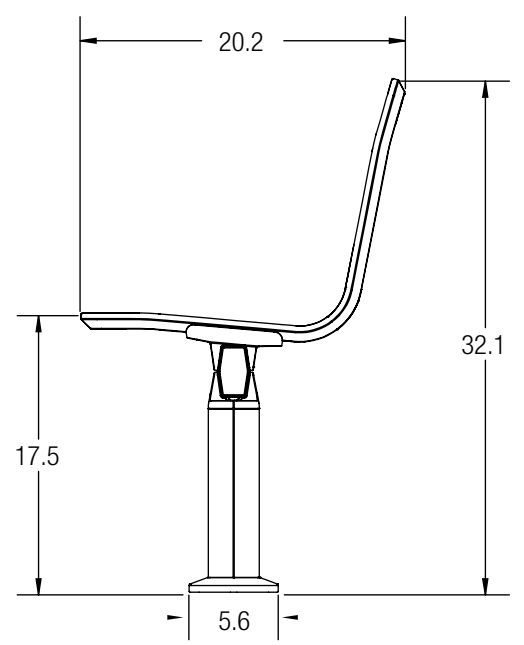
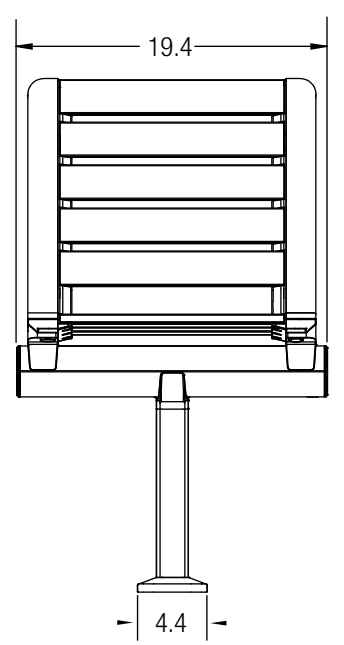
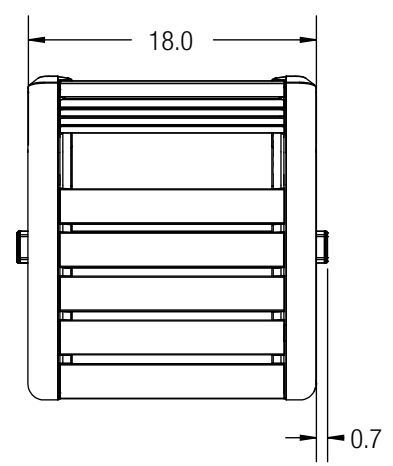


8 7 6 5 4 3 2 1

D  
C  
B  
A

D  
C  
B  
A



CUSTOMER APPROVAL:

X \_\_\_\_\_

DATE:

X \_\_\_\_\_

UNLESS OTHERWISE SPECIFIED,  
DIMENSIONS ARE IN INCHES  
TOLERANCES (UNLESS OTHERWISE  
SPECIFIED):  
FRACTIONAL: ±1/32  
ANGULAR/BEND: ±1°\*  
TWO PLACE DECIMAL ±.030  
THREE PLACE DECIMAL ±.020  
MATERIAL: SEE DATA SHEET  
FINISH: SEE DATA SHEET  
WEIGHT: 35 - 36 LBS  
SOURCE: -  
SCALE: N.T.S.

**FORMS+SURFACES**® 30 Pine Street, Pittsburgh, PA 15223  
Tel (800) 451-0410 Fax (412) 781-7840

NAME	DATE
DWN MDW	06/28/2013

TANGENT RAIL SEATING  
1 BACKED SEAT, SLAT SEAT  
SURFACE MOUNT  
SRTAN-1BA, SRTAN-1BW

DO NOT SCALE DRAWING  
PROPRIETARY AND CONFIDENTIAL  
THE INFORMATION CONTAINED IN THIS  
DRAWING IS THE SOLE PROPERTY OF  
FORMS + SURFACES. ANY REPRODUCTION  
IN PART OR AS A WHOLE WITHOUT  
WRITTEN PERMISSION IS PROHIBITED.

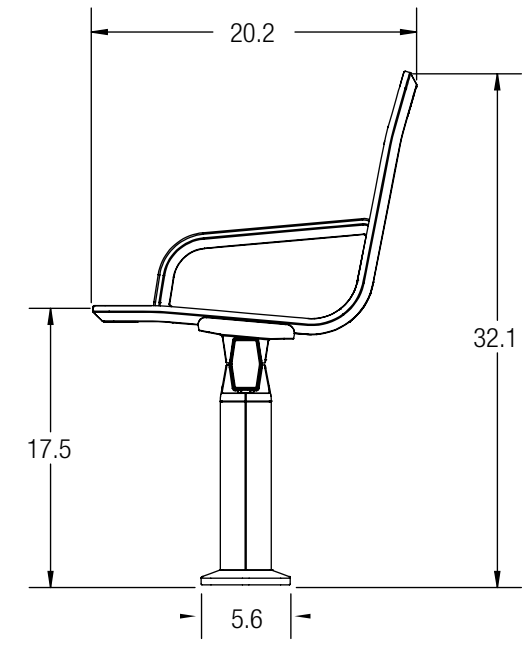
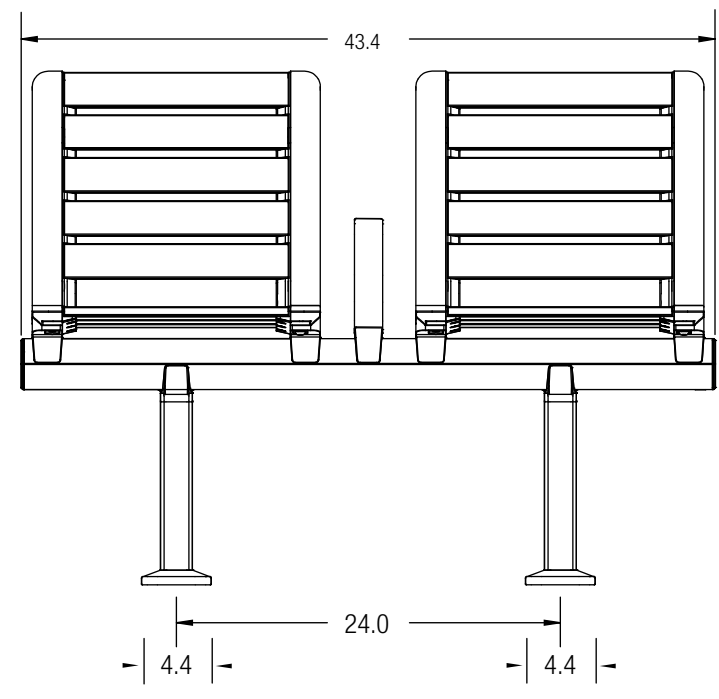
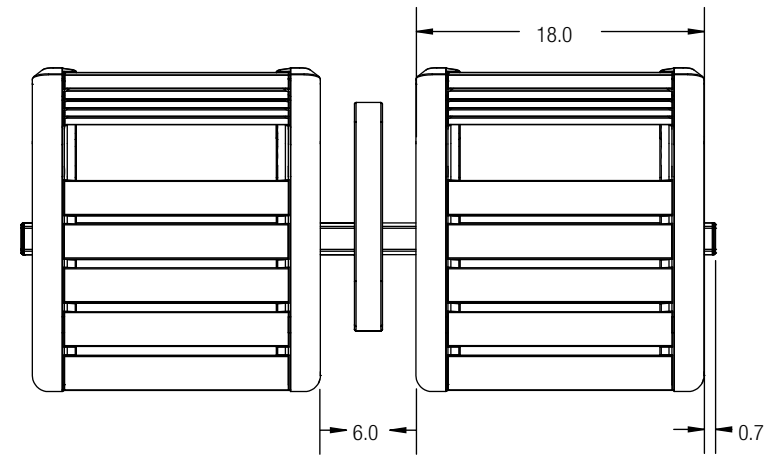
SIZE	DWG. NO.	REV	SHEET
B	SRTAN-1B-SM	A.0	1 OF 1

8 7 6 5 4 3 2 1

8 7 6 5 4 3 2 1

D  
C  
B  
A

D  
C  
B  
A



CUSTOMER APPROVAL:

X \_\_\_\_\_

DATE:

X \_\_\_\_\_

UNLESS OTHERWISE SPECIFIED, DIMENSIONS ARE IN INCHES		<b>FORMS+SURFACES</b> ® 30 Pine Street, Pittsburgh, PA 15223 Tel (800) 451-0410 Fax (412) 781-7840	
TOLERANCES (UNLESS OTHERWISE SPECIFIED): FRACTIONAL: ± 1/32 ANGULAR/BEND: ± 1° TWO PLACE DECIMAL ± .030 THREE PLACE DECIMAL ± .020		NAME	DATE
MATERIAL: SEE DATA SHEET		DWN	06/28/2013
FINISH: SEE DATA SHEET	DO NOT SCALE DRAWING		
WEIGHT: 75 - 78 LBS	PROPRIETARY AND CONFIDENTIAL		
SOURCE: -	THE INFORMATION CONTAINED IN THIS DRAWING IS THE SOLE PROPERTY OF FORMS + SURFACES. ANY REPRODUCTION IN PART OR AS A WHOLE WITHOUT WRITTEN PERMISSION IS PROHIBITED.		
SCALE: N.T.S.	SIZE	DWG. NO.	REV SHEET
	B	SRTAN-2B-SM	A.0 1 OF 1

8 7 6 5 4 3 2 1

8 7 6 5 4 3 2 1

D

C

B

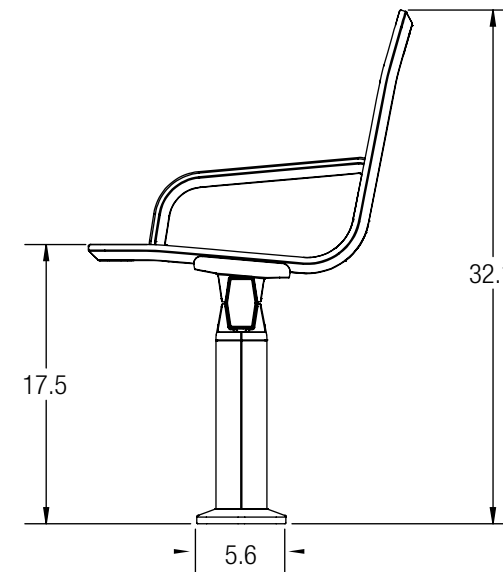
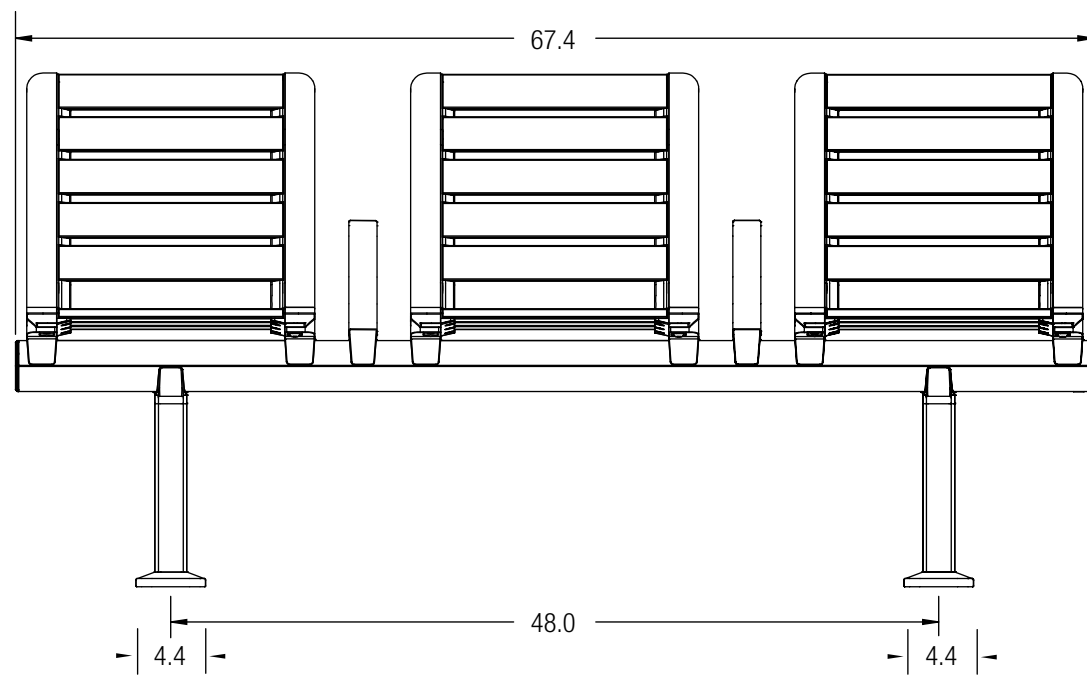
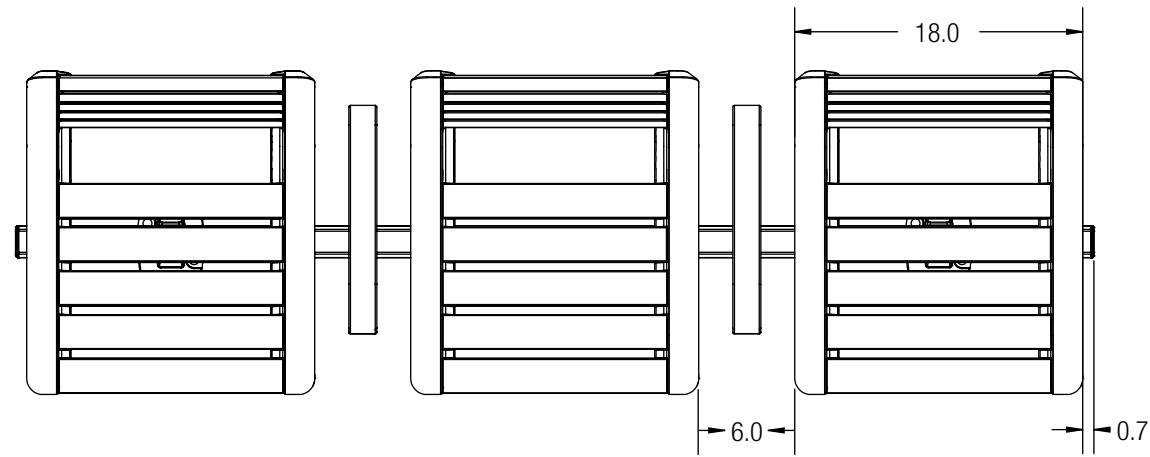
A

D

C

B

A



CUSTOMER APPROVAL:

X \_\_\_\_\_

DATE:

X \_\_\_\_\_

UNLESS OTHERWISE SPECIFIED,  
DIMENSIONS ARE IN INCHES  
TOLERANCES (UNLESS OTHERWISE  
SPECIFIED):  
FRACTIONAL: ±1/32  
ANGULAR/BEND: ±1°  
TWO PLACE DECIMAL ±.030  
THREE PLACE DECIMAL ±.020  
MATERIAL: SEE DATA SHEET  
FINISH: SEE DATA SHEET  
WEIGHT: 108 - 111 LBS  
SOURCE: -  
SCALE: N.T.S.

**FORMS+SURFACES**® 30 Pine Street, Pittsburgh, PA 15223  
Tel (800) 451-0410 Fax (412) 781-7840

DATE  
06/28/2013  
DO NOT SCALE DRAWING  
PROPRIETARY AND CONFIDENTIAL  
THE INFORMATION CONTAINED IN THIS  
DRAWING IS THE SOLE PROPERTY OF  
FORMS + SURFACES. ANY REPRODUCTION  
IN PART OR AS A WHOLE WITHOUT  
WRITTEN PERMISSION IS PROHIBITED.

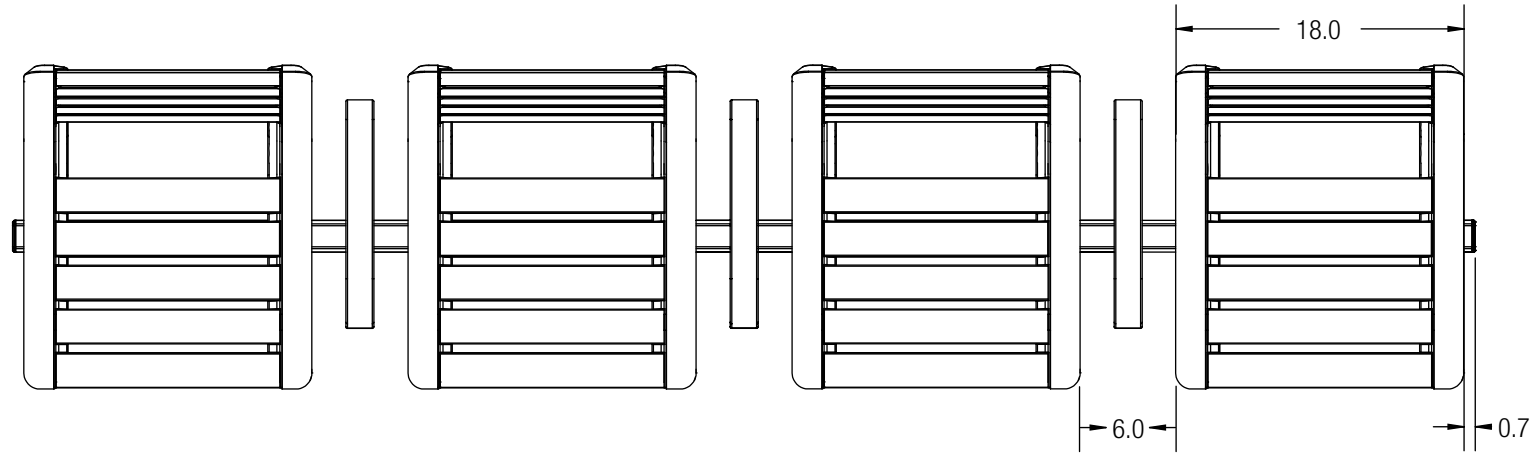
TANGENT RAIL SEATING 3 BACKED SEATS, SLAT SEATS, INTERMEDIATE ARMRESTS, SURFACE MOUNT SRTAN-3BA, SRTAN-3BW			
SIZE	DWG. NO.	REV	SHEET
B	SRTAN-3B-SM	A.0	1 OF 1

8 7 6 5 4 3 2 1

8 7 6 5 4 3 2 1

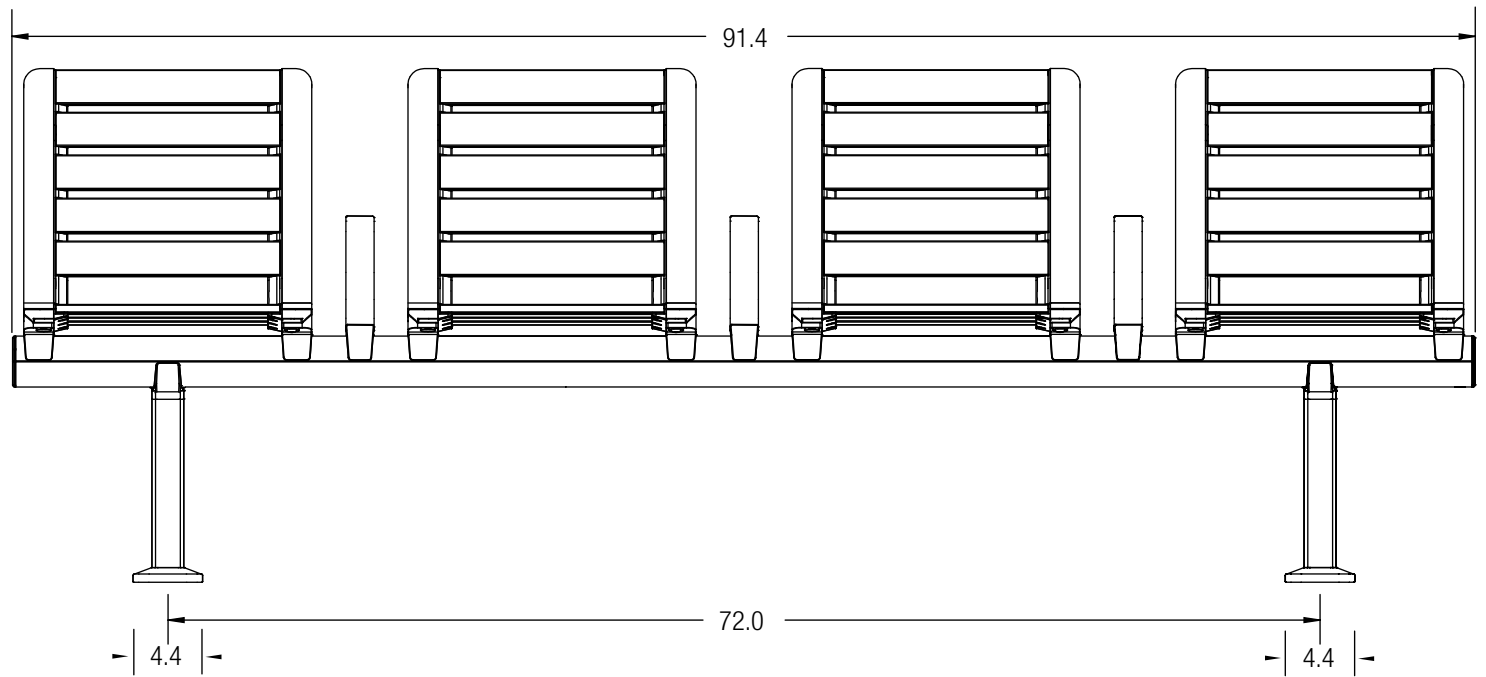
D

D



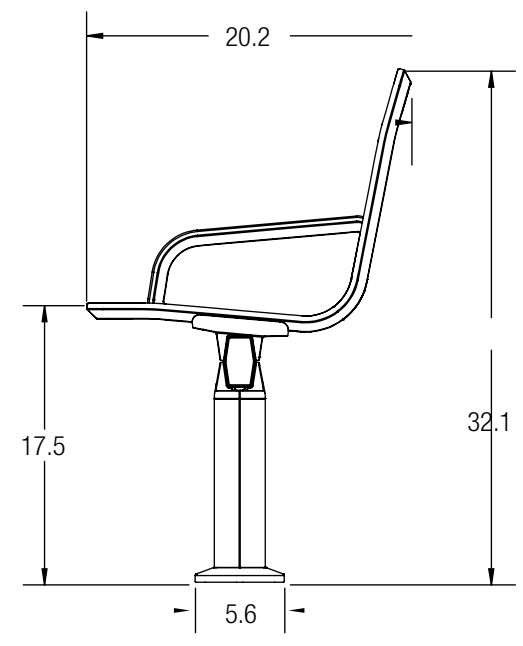
C

C



B

B



A

A

CUSTOMER APPROVAL:

X \_\_\_\_\_

DATE:

X \_\_\_\_\_

UNLESS OTHERWISE SPECIFIED,  
DIMENSIONS ARE IN INCHES  
TOLERANCES (UNLESS OTHERWISE  
SPECIFIED):  
FRACTIONAL: ±1/32  
ANGULAR/BEND: ±1°\*  
TWO PLACE DECIMAL ±.030  
THREE PLACE DECIMAL ±.020  
MATERIAL: SEE DATA SHEETS  
FINISH: SEE DATA SHEET  
WEIGHT: 138 - 141 LBS  
SOURCE: -  
SCALE: N.T.S.

**FORMS+SURFACES**® 30 Pine Street, Pittsburgh, PA 15223  
Tel (800) 451-0410 Fax (412) 781-7840

NAME	DATE
DWN	06/28/2013

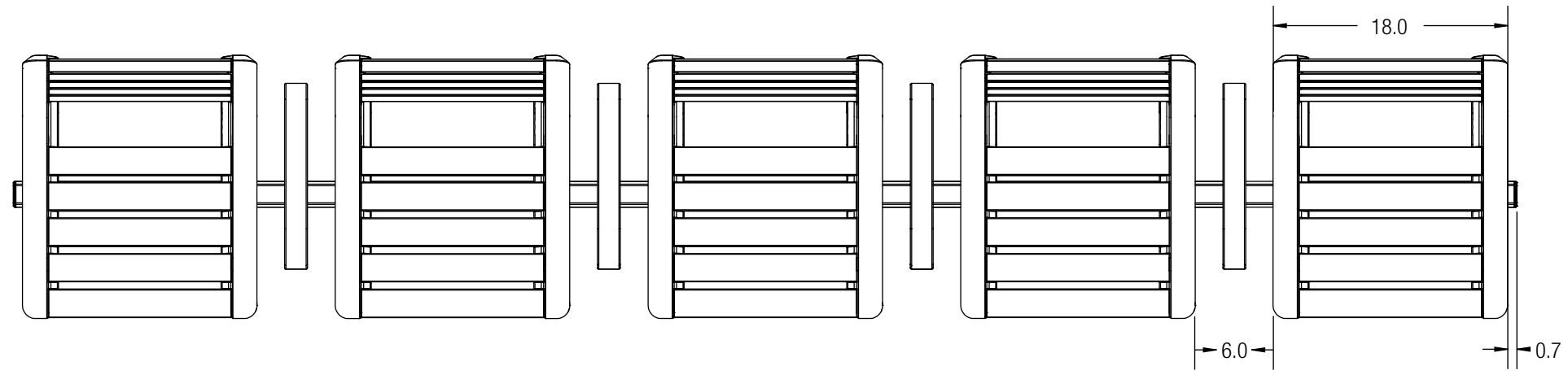
DO NOT SCALE DRAWING  
PROPRIETARY AND CONFIDENTIAL  
THE INFORMATION CONTAINED IN THIS  
DRAWING IS THE SOLE PROPERTY OF  
FORMS + SURFACES. ANY REPRODUCTION  
IN PART OR AS A WHOLE WITHOUT  
WRITTEN PERMISSION IS PROHIBITED.

TANGENT RAIL SEATING 4 BACKED SEATS, SLAT SEATS, INTERMEDIATE ARMRESTS, SURFACE MOUNT SRTAN-4BA, SRTAN-4BW			
SIZE	DWG. NO.	REV	SHEET
B	SRTAN-4B-SM	A.0	1 OF 1

8 7 6 5 4 3 2 1

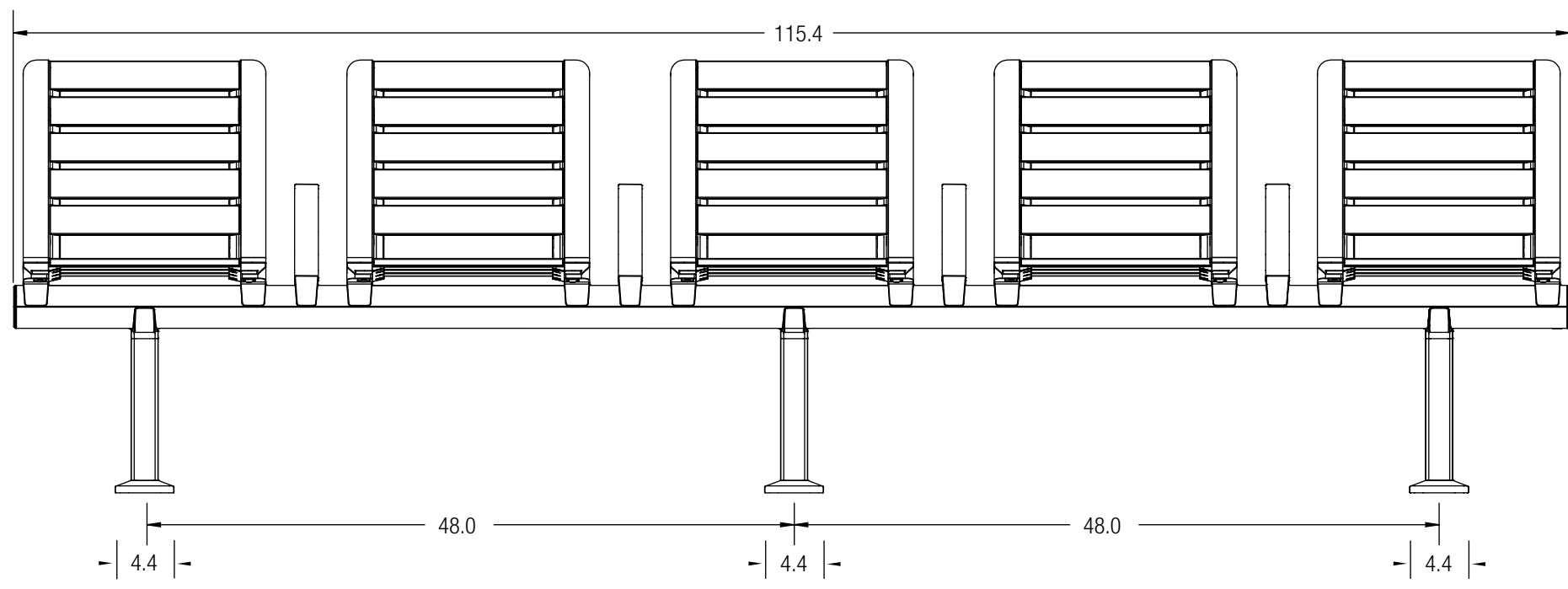
8 7 6 5 4 3 2 1

D



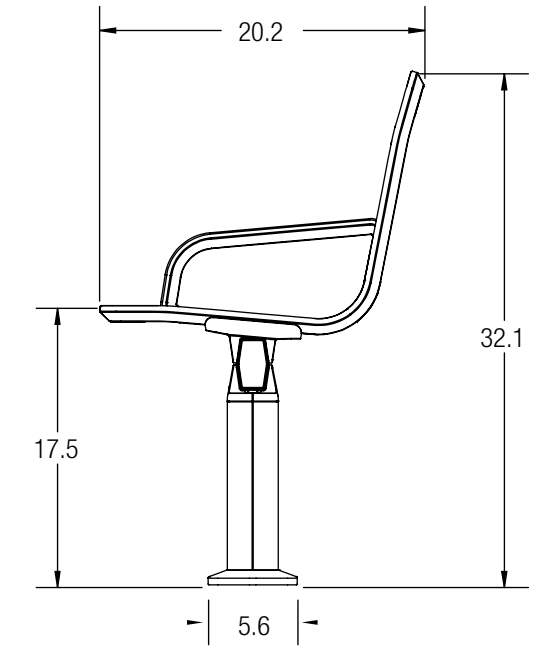
D

C



C

B



B

A

CUSTOMER APPROVAL:

X \_\_\_\_\_

DATE:

X \_\_\_\_\_

UNLESS OTHERWISE SPECIFIED,  
DIMENSIONS ARE IN INCHES  
TOLERANCES (UNLESS OTHERWISE  
SPECIFIED):  
FRACTIONAL: ±1/32  
ANGULAR/BEND: ±1°  
TWO PLACE DECIMAL ±.030  
THREE PLACE DECIMAL ±.020  
MATERIAL: SEE DATA SHEET  
FINISH: SEE DATA SHEET  
WEIGHT: 155 - 159 LBS  
SOURCE: -  
SCALE: N.T.S.

**FORMS+SURFACES**® 30 Pine Street, Pittsburgh, PA 15223  
Tel (800) 451-0410 Fax (412) 781-7840

DATE	06/28/2013
DO NOT SCALE DRAWING	
PROPRIETARY AND CONFIDENTIAL	
THE INFORMATION CONTAINED IN THIS DRAWING IS THE SOLE PROPERTY OF FORMS + SURFACES. ANY REPRODUCTION IN PART OR AS A WHOLE WITHOUT WRITTEN PERMISSION IS PROHIBITED.	

TANGENT RAIL SEATING 5 BACKED SEATS, SLAT SEATS, INTERMEDIATE ARMRESTS, SURFACE MOUNT SRTAN-5BA, SRTAN-5BW			
SIZE	DWG. NO.	REV	SHEET
B	SRTAN-5B-SM	A.0	1 OF 1

8 7 6 5 4 3 2 1