

8 7 6 5 4 3 2 1

D

D

C

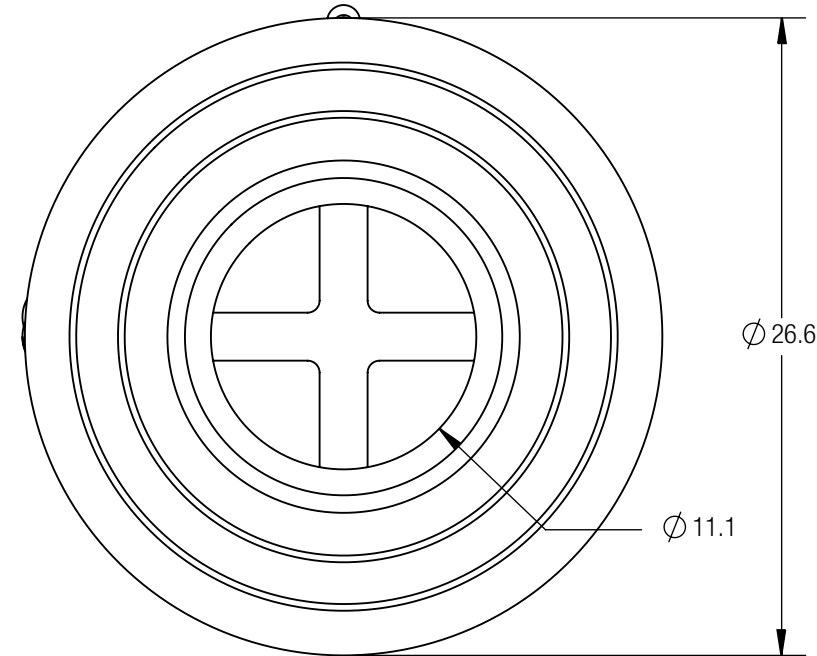
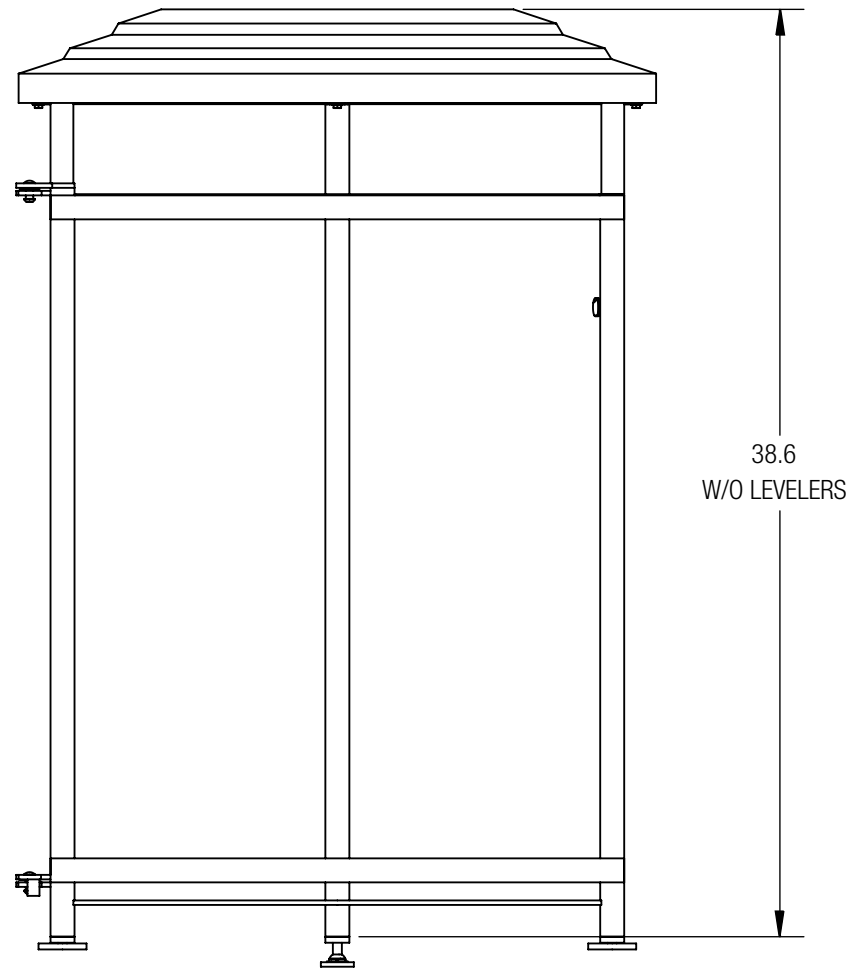
C

B

B

A

A



CUSTOMER APPROVAL:

X \_\_\_\_\_

DATE:

X \_\_\_\_\_

UNLESS OTHERWISE SPECIFIED,  
DIMENSIONS ARE IN INCHES

TOLERANCES (UNLESS OTHERWISE SPECIFIED):  
 FRACTIONAL: ±1/32  
 ANGULAR/BEND: ±1°  
 TWO PLACE DECIMAL ±.030  
 THREE PLACE DECIMAL ±.020

MATERIAL: SEE DATA SHEET

FINISH: SEE DATA SHEET

WEIGHT: 94 LBS

SOURCE: M

SCALE: N.T.S.

**FORMS+SURFACES**® 30 Pine Street, Pittsburgh, PA 15223  
 Tel (800) 451-0410 Fax (412) 781-7840

DATE	
01/01/2011	

**URBAN RENAISSANCE RECEPTACLE  
 36 GALLON TOP OPENING  
 SLURB-36TO**

DO NOT SCALE DRAWING

PROPRIETARY AND CONFIDENTIAL  
 THE INFORMATION CONTAINED IN THIS  
 DRAWING IS THE SOLE PROPERTY OF  
 FORMS + SURFACES. ANY REPRODUCTION  
 IN PART OR AS A WHOLE WITHOUT  
 WRITTEN PERMISSION IS PROHIBITED.

SIZE	DWG. NO.	REV	SHEET
B	SLURB-36TO-TD	0	1 OF 1

8 7 6 5 4 3 2 1