

8 7 6 5 4 3 2 1

D

C

B

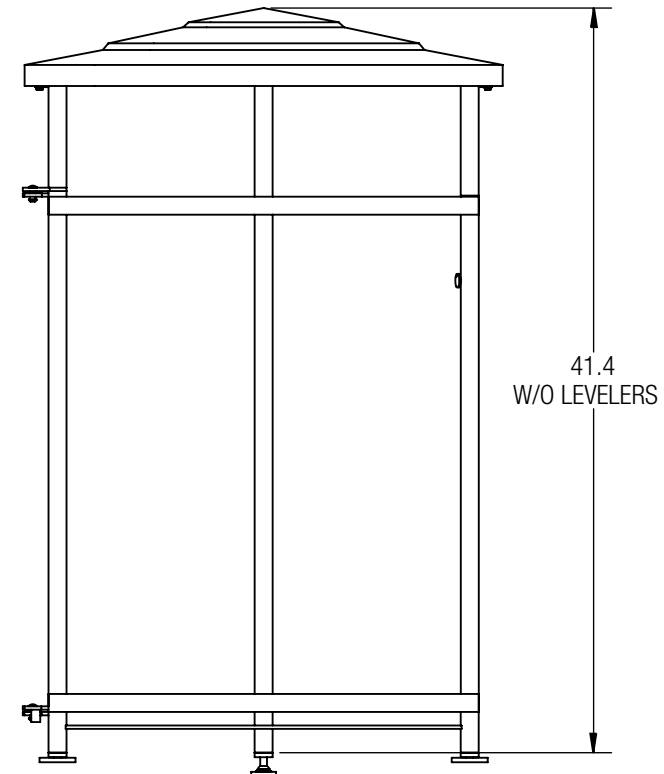
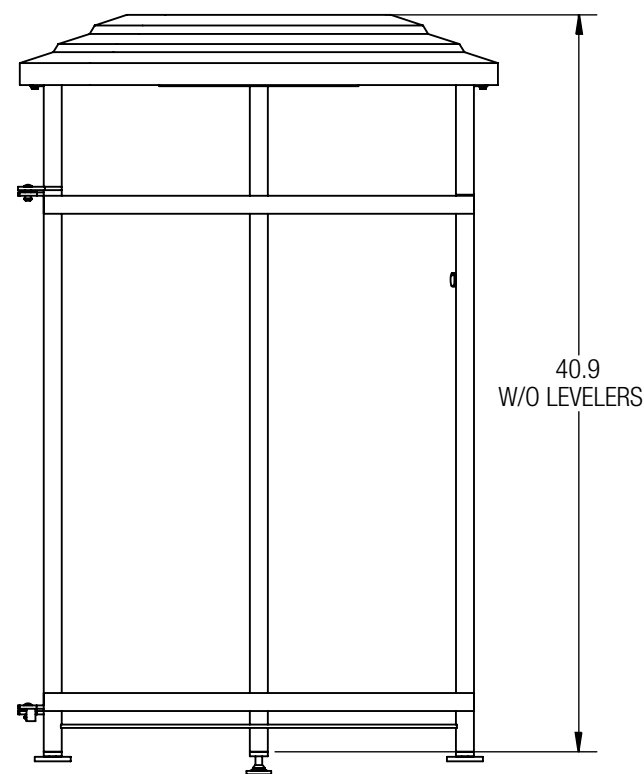
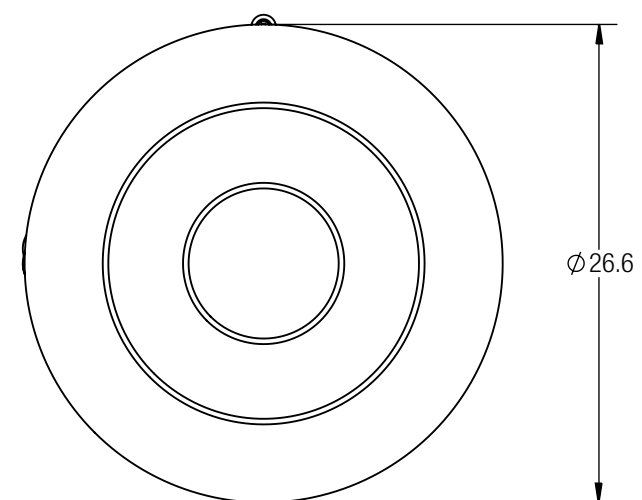
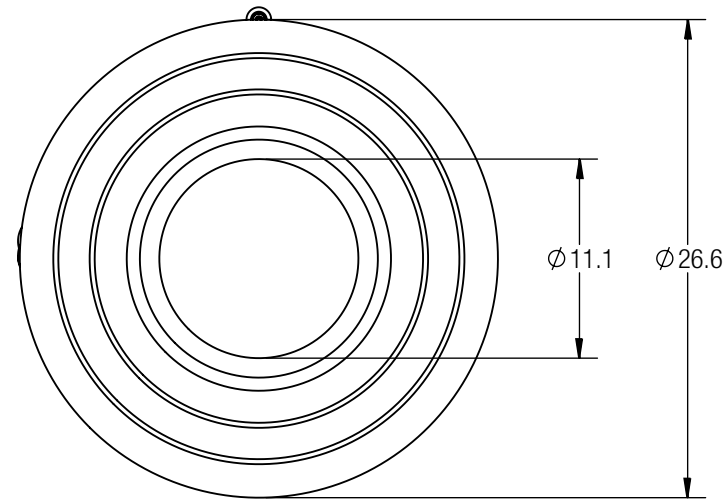
A

D

C

B

A



ASH LID
(89 LBS)

DOME LID
(85 LBS)

CUSTOMER APPROVAL:

X _____

DATE:

X _____

UNLESS OTHERWISE SPECIFIED, DIMENSIONS ARE IN INCHES		FORMS+SURFACES ® 30 Pine Street, Pittsburgh, PA 15223 Tel (800) 451-0410 Fax (412) 781-7840	
TOLERANCES (UNLESS OTHERWISE SPECIFIED): FRACTIONAL: ±1/32 ANGULAR/BEND: ±1° TWO PLACE DECIMAL ±.030 THREE PLACE DECIMAL ±.020		DATE 01/01/2011	URBAN RENAISSANCE RECEPTACLE 36 GALLON SIDE OPENING SLURB-36SO
MATERIAL: SEE DATA SHEET		DO NOT SCALE DRAWING	
FINISH: SEE DATA SHEET		PROPRIETARY AND CONFIDENTIAL	
WEIGHT: SEE ABOVE		THE INFORMATION CONTAINED IN THIS DRAWING IS THE SOLE PROPERTY OF FORMS + SURFACES. ANY REPRODUCTION IN PART OR AS A WHOLE WITHOUT WRITTEN PERMISSION IS PROHIBITED.	
SOURCE: M		SIZE B	DWG. NO. SLURB-36SO-TD
SCALE: N.T.S.		REV 0	SHEET 1 OF 1

8 7 6 5 4 3 2 1