

37.5

6.75

5.75

21.5

OPENINGS ON BOTH SIDES

CUSTOMER APPROVAL:

X \_\_\_\_\_

DATE:

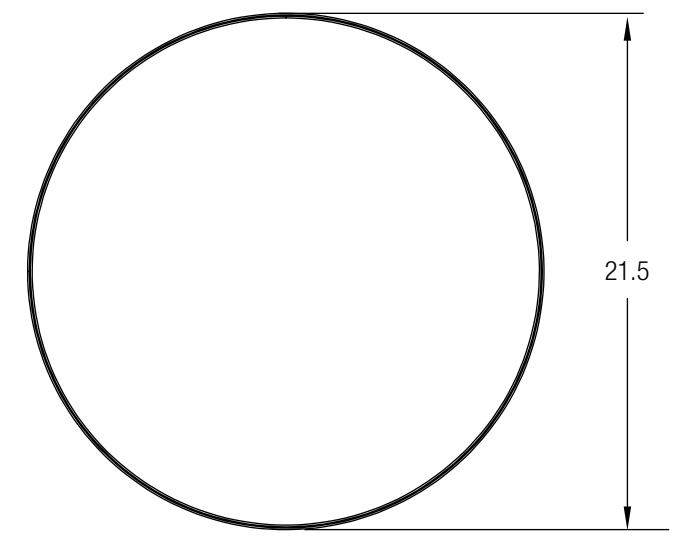
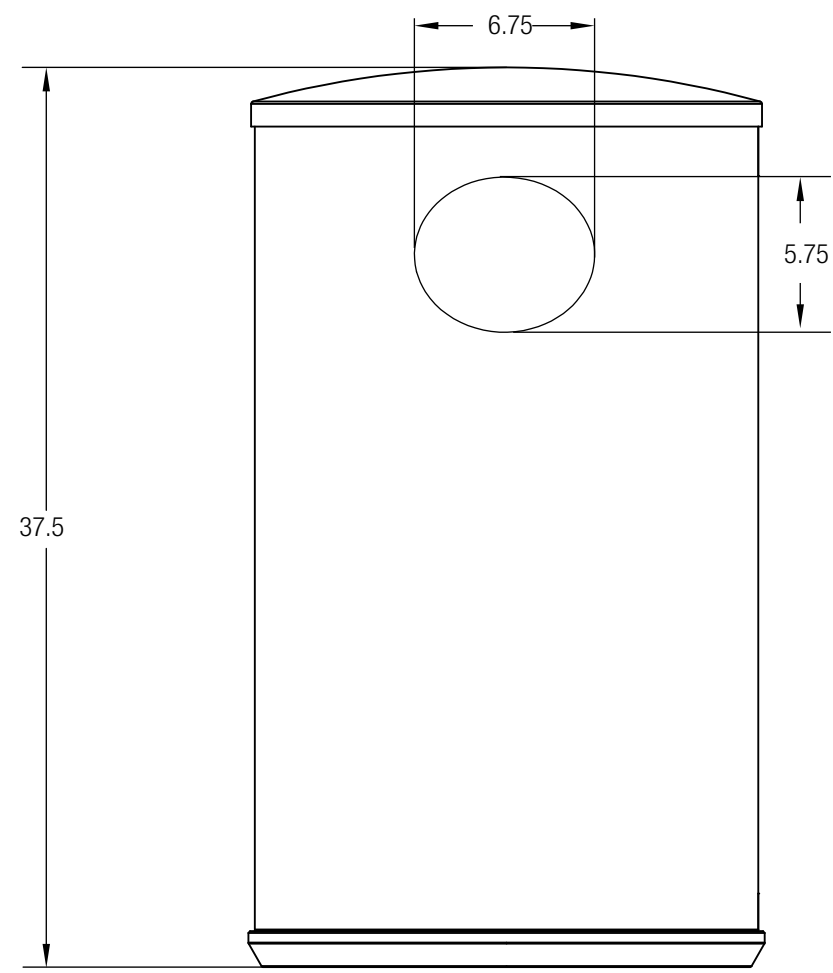
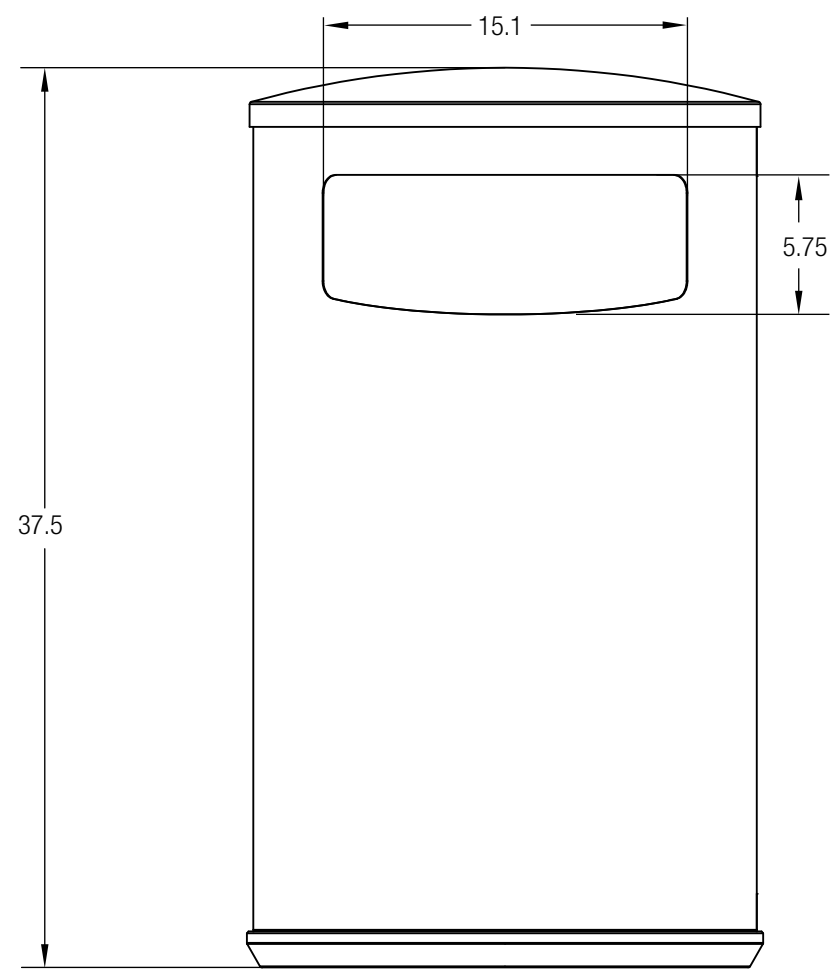
X \_\_\_\_\_

UNLESS OTHERWISE SPECIFIED, DIMENSIONS ARE IN INCHES		<b>FORMS+SURFACES</b> ® 30 Pine Street, Pittsburgh, PA 15223 Tel (412) 781-9003 Fax (412) 781-7840	
TOLERANCES (UNLESS OTHERWISE SPECIFIED): FRACTIONAL: ±1/32 ANGULAR/BEND: ±1°* TWO PLACE DECIMAL ±.030 THREE PLACE DECIMAL ±.020		NAME	DATE
MATERIAL: SEE DATA SHEET		DWN	TAF 5/4/2016
FINISH: SEE DATA SHEET		DO NOT SCALE DRAWING	
WEIGHT: SEE DATA SHEET		PROPRIETARY AND CONFIDENTIAL	
SOURCE: -		THE INFORMATION CONTAINED IN THIS DRAWING IS THE SOLE PROPERTY OF FORMS + SURFACES. ANY REPRODUCTION IN PART OR AS A WHOLE WITHOUT WRITTEN PERMISSION IS PROHIBITED.	
SCALE: N.T.S.		SIZE	DWG. NO.
		B	SLUNN-30SRR
		REV	SHEET
		0	1 OF 1

PRINTED: 9/5/2012

8 7 6 5 4 3 2 1

D  
C  
B  
A



D  
C  
B  
A

CUSTOMER APPROVAL:

X \_\_\_\_\_

DATE:

X \_\_\_\_\_

UNLESS OTHERWISE SPECIFIED,  
DIMENSIONS ARE IN INCHES  
TOLERANCES (UNLESS OTHERWISE SPECIFIED):  
FRACTIONAL: ±1/32  
ANGULAR/BEND: ±1°\*  
TWO PLACE DECIMAL ±.030  
THREE PLACE DECIMAL ±.020  
MATERIAL: SEE DATA SHEET  
FINISH: SEE DATA SHEET  
WEIGHT: SEE DATA SHEET  
SOURCE: -  
SCALE: N.T.S.

**FORMS+SURFACES**® 30 Pine Street, Pittsburgh, PA 15223  
Tel (412) 781-9003 Fax (412) 781-7840

NAME	DATE
DWN TAF	5/4/2016

DO NOT SCALE DRAWING

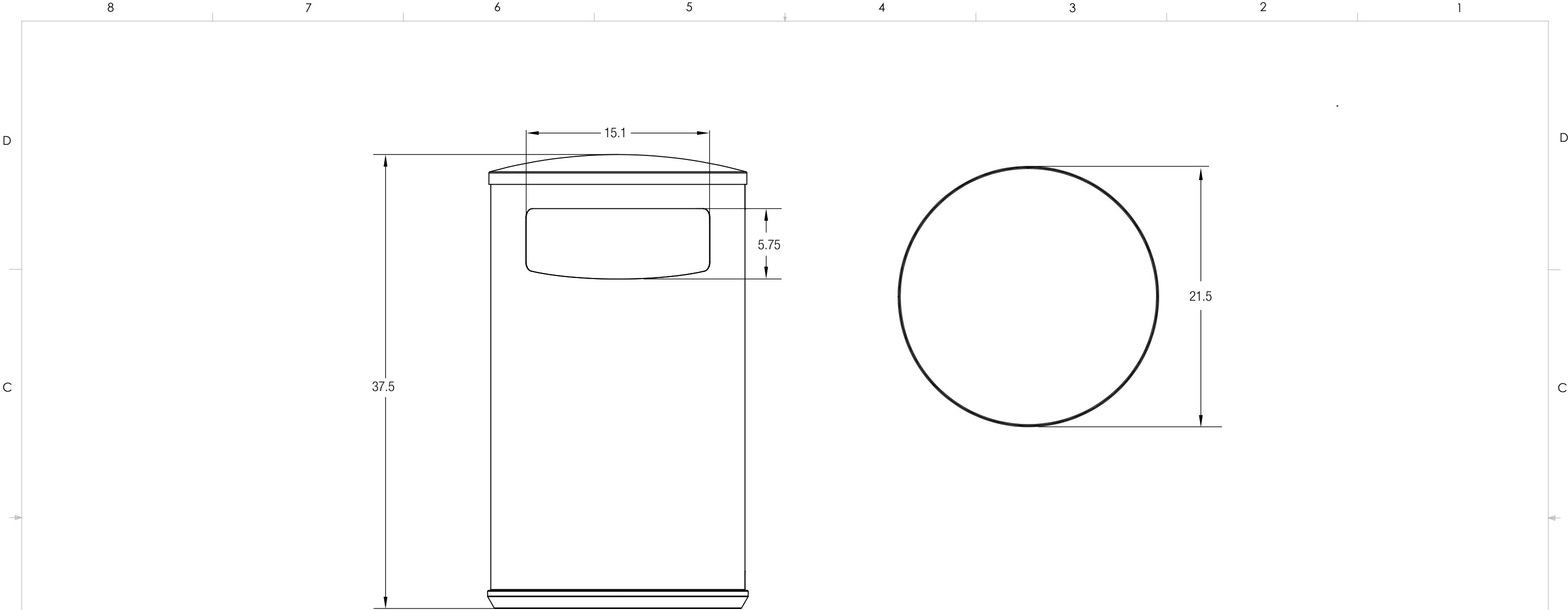
PROPRIETARY AND CONFIDENTIAL

THE INFORMATION CONTAINED IN THIS DRAWING IS THE SOLE PROPERTY OF FORMS + SURFACES. ANY REPRODUCTION IN PART OR AS A WHOLE WITHOUT WRITTEN PERMISSION IS PROHIBITED.

UNIVERSAL RECEPTACLE 30 GAL, SIDE OPENING STANDARD / ROUND SLUNN-30SSR			
SIZE	DWG. NO.	REV	SHEET
B	SLUNN-30SSR	0	1 OF 1

8 7 6 5 4 3 2 1

PRINTED: 9/5/2012



OPENINGS ON BOTH SIDES

CUSTOMER APPROVAL:

X \_\_\_\_\_

DATE:

X \_\_\_\_\_

UNLESS OTHERWISE SPECIFIED,  
DIMENSIONS ARE IN INCHES

TOLERANCES (UNLESS OTHERWISE SPECIFIED):  
FRACTIONAL:  $\pm 1/32$   
ANGULAR/BEND:  $\pm 1^\circ$   
TWO PLACE DECIMAL  $\pm .030$   
THREE PLACE DECIMAL  $\pm .020$

MATERIAL: SEE DATA SHEET

FINISH: SEE DATA SHEET

WEIGHT: SEE DATA SHEET

SOURCE: -

SCALE: N.T.S.

**FORMS+SURFACES**® 30 Pine Street, Pittsburgh, PA 15223  
Tel (412) 781-9003 Fax (412) 781-7840

NAME	DATE
DWN TAF	5/4/2016

UNIVERSAL RECEPTACLE  
30 GAL, SIDE OPENING  
STANDARD / STANDARD  
SLUNN-30SSS

PROPRIETARY AND CONFIDENTIAL  
THE INFORMATION CONTAINED IN THIS DRAWING IS THE SOLE PROPERTY OF FORMS + SURFACES. ANY REPRODUCTION IN PART OR AS A WHOLE WITHOUT WRITTEN PERMISSION IS PROHIBITED.

SIZE	DWG. NO.	REV	SHEET
B	SLUNN-30SSS	0	1 OF 1

PRINTED: 9/5/2012