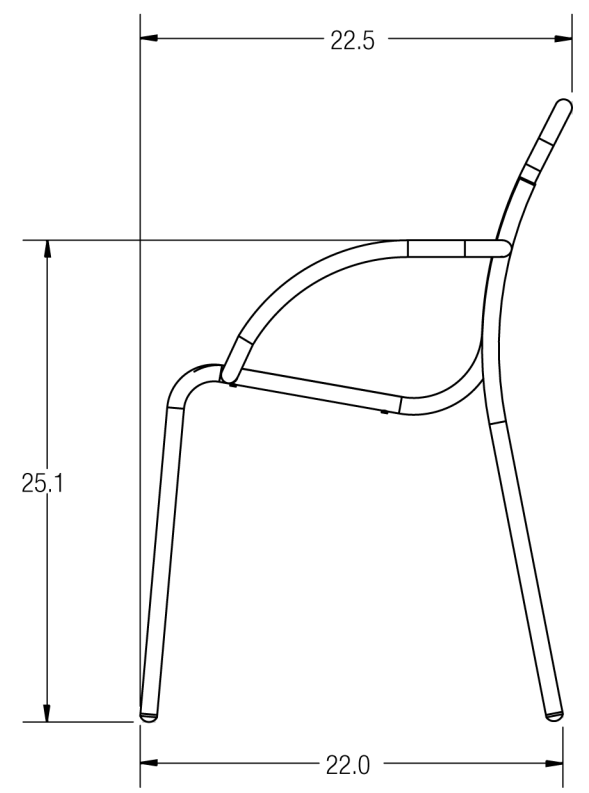
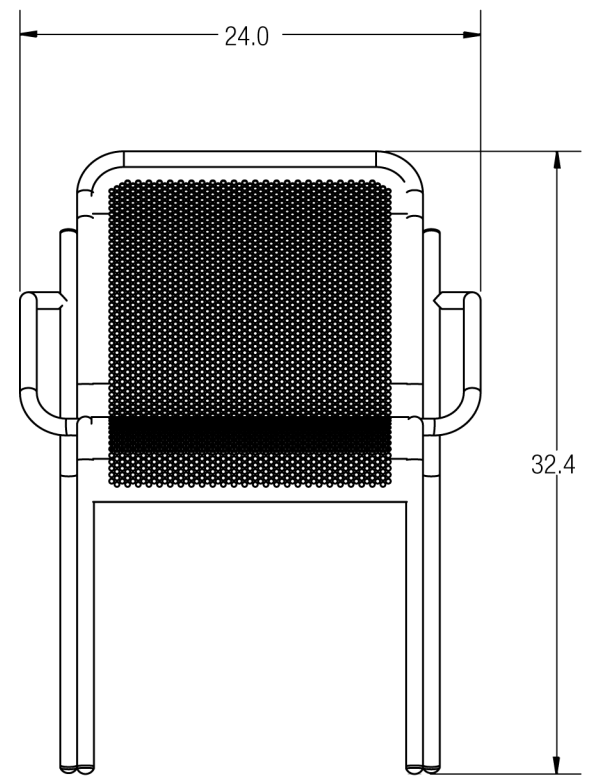
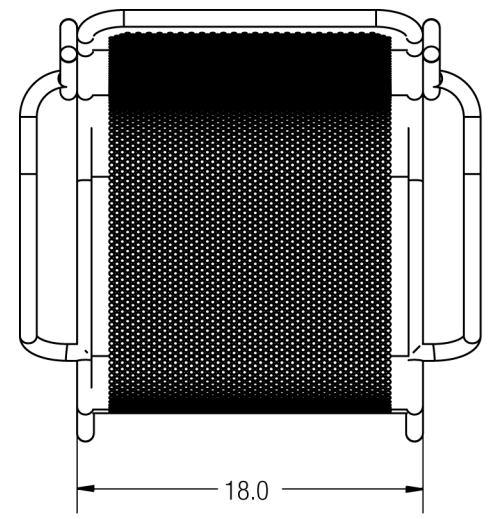


8 7 6 5 4 3 2 1

D
C
B
A

D
C
B
A



CUSTOMER APPROVAL:

X _____

DATE:

X _____

UNLESS OTHERWISE SPECIFIED, DIMENSIONS ARE IN INCHES		FORMS+SURFACES ® 30 Pine Street, Pittsburgh, PA 15223 Tel (800) 451-90410 Fax (412) 781-7840	
TOLERANCES (UNLESS OTHERWISE SPECIFIED): FRACTIONAL: ±1/32 ANGULAR/BEND: ±1° TWO PLACE DECIMAL ±.030 THREE PLACE DECIMAL ±.020		DATE	
MATERIAL: SEE DATA SHEET		01/01/2011	VISTA CHAIR W/ ARMS PERFORATED SCVIS-AP
FINISH: SEE DATA SHEET	DO NOT SCALE DRAWING		
WEIGHT: 15 LBS	PROPRIETARY AND CONFIDENTIAL		
SOURCE: M	THE INFORMATION CONTAINED IN THIS DRAWING IS THE SOLE PROPERTY OF FORMS + SURFACES. ANY REPRODUCTION IN PART OR AS A WHOLE WITHOUT WRITTEN PERMISSION IS PROHIBITED.		SIZE DWG. NO. REV SHEET
SCALE: N.T.S.	B	SCVIS-AP-TD	0 1 OF 1

8 7 6 5 4 3 2 1