

8

7

6

5

4

3

2

1

D

D

C

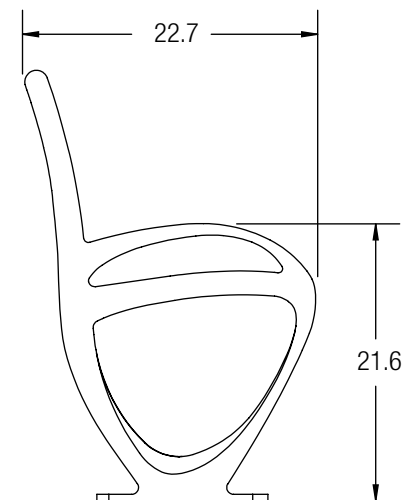
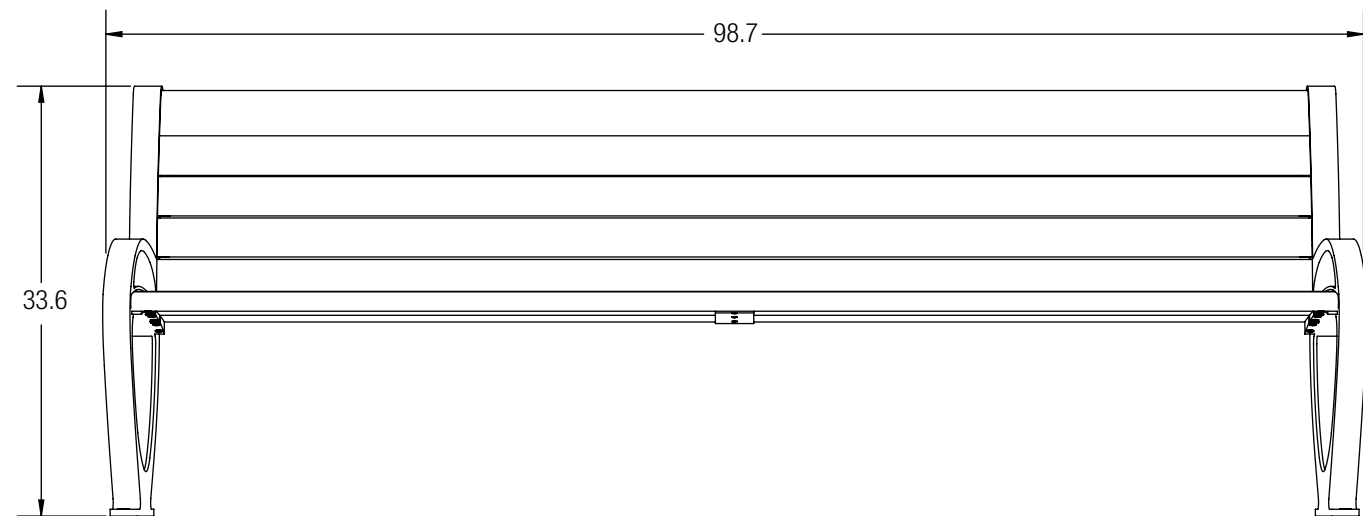
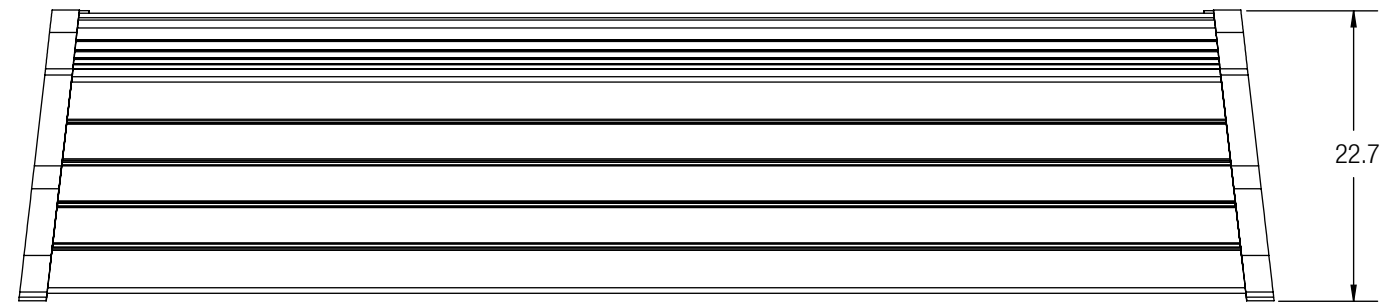
C

B

B

A

A



CUSTOMER APPROVAL:

X \_\_\_\_\_

DATE:

X \_\_\_\_\_

UNLESS OTHERWISE SPECIFIED,  
DIMENSIONS ARE IN INCHES

TOLERANCES (UNLESS OTHERWISE SPECIFIED):  
 FRACTIONAL:  $\pm 1/32$   
 ANGULAR/BEND:  $\pm 1^\circ$   
 TWO PLACE DECIMAL  $\pm .030$   
 THREE PLACE DECIMAL  $\pm .020$

MATERIAL: SEE TECH BRIEF

FINISH: SEE TECH BRIEF

WEIGHT: 203.0 LBS.

SOURCE: M

SCALE: N.T.S.

**FORMS+SURFACES**® 30 Pine Street, Pittsburgh, PA 15223  
 Tel (800) 451-0410 Fax (412) 781-7840

DATE
01/01/2011

TRIO BENCH, BACKED, 8 FOOT  
SBTRO-96B

DO NOT SCALE DRAWING

PROPRIETARY AND CONFIDENTIAL  
 THE INFORMATION CONTAINED IN THIS  
 DRAWING IS THE SOLE PROPERTY OF  
 FORMS + SURFACES. ANY REPRODUCTION  
 IN PART OR AS A WHOLE WITHOUT  
 WRITTEN PERMISSION IS PROHIBITED.

SIZE	DWG. NO.	REV	SHEET
B	SBTRO-96B-TD	0	1 OF 1

8

7

6

5

4

3

2

1