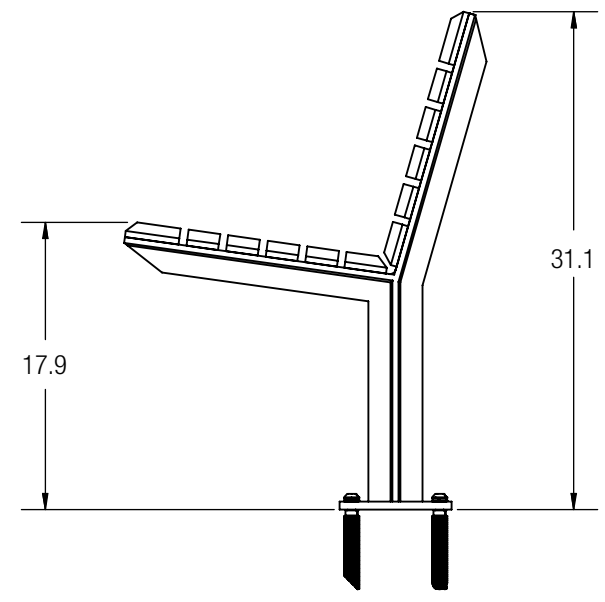
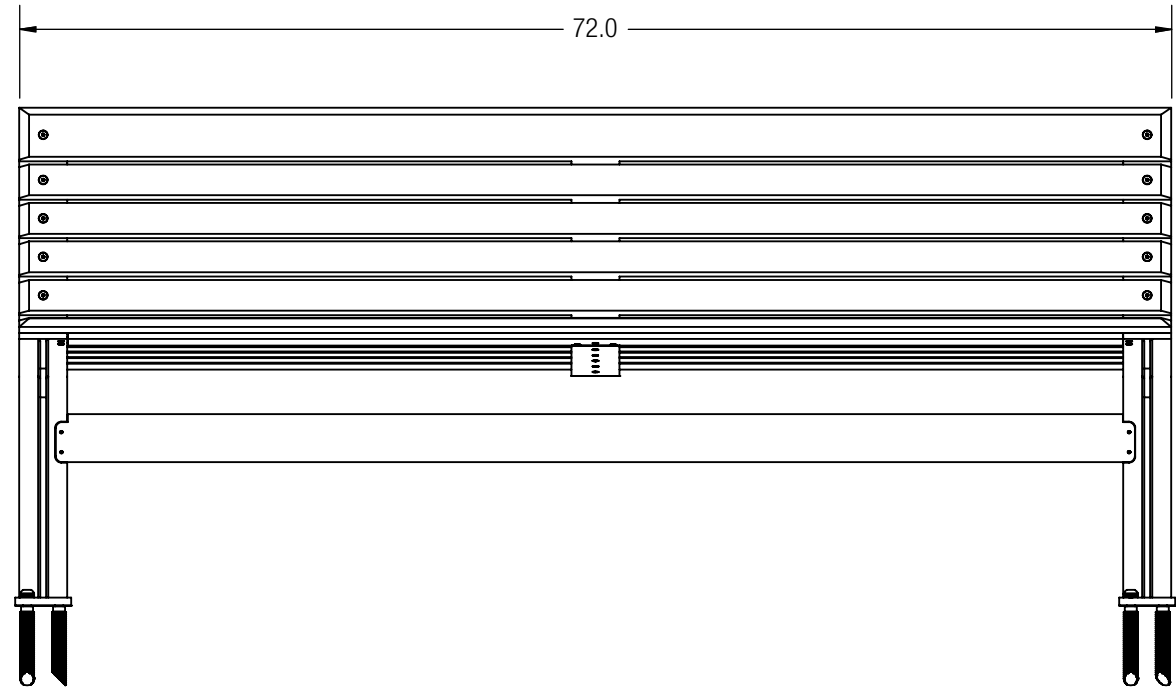
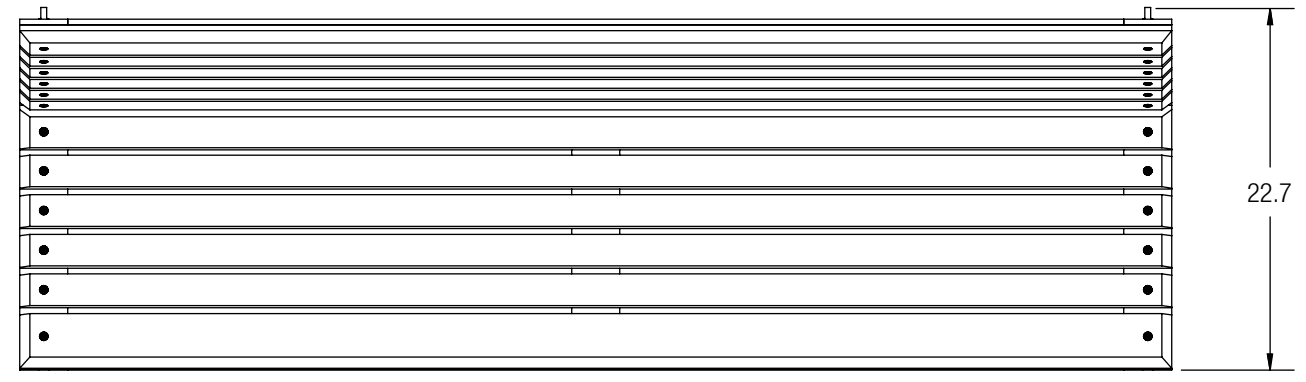


8 7 6 5 4 3 2 1

D  
C  
B  
A



CUSTOMER APPROVAL:

X \_\_\_\_\_

DATE:

X \_\_\_\_\_

UNLESS OTHERWISE SPECIFIED, DIMENSIONS ARE IN INCHES

**FORMS+SURFACES**® 30 Pine Street, Pittsburgh, PA 15223  
Tel (800) 451-0410 Fax (412) 781-7840

TOLERANCES (UNLESS OTHERWISE SPECIFIED):		NAME	DATE	KNIGHT BENCH, BACKED, 6-FT, SBKNI-072B, SBKNI-072BT, SBKNI-072BA	
FRACTIONAL: ±1/32		DWN	EMK		
ANGULAR/BEND: ±1°*			1/14/2014		
TWO PLACE DECIMAL ±.030		MATERIAL: SEE DATA SHEET		DO NOT SCALE DRAWING PROPRIETARY AND CONFIDENTIAL <small>THE INFORMATION CONTAINED IN THIS DRAWING IS THE SOLE PROPERTY OF FORMS + SURFACES. ANY REPRODUCTION IN PART OR AS A WHOLE WITHOUT WRITTEN PERMISSION IS PROHIBITED.</small>	
THREE PLACE DECIMAL ±.020		SIZE	DWG. NO.		REV
FINISH: SEE DATA SHEET		B	SBKNI-072B/BT/BA	0	1 OF 1
WEIGHT: SEE DATA SHEET					
SOURCE: M					
SCALE: N.T.S.					

8 7 6 5 4 3 2 1