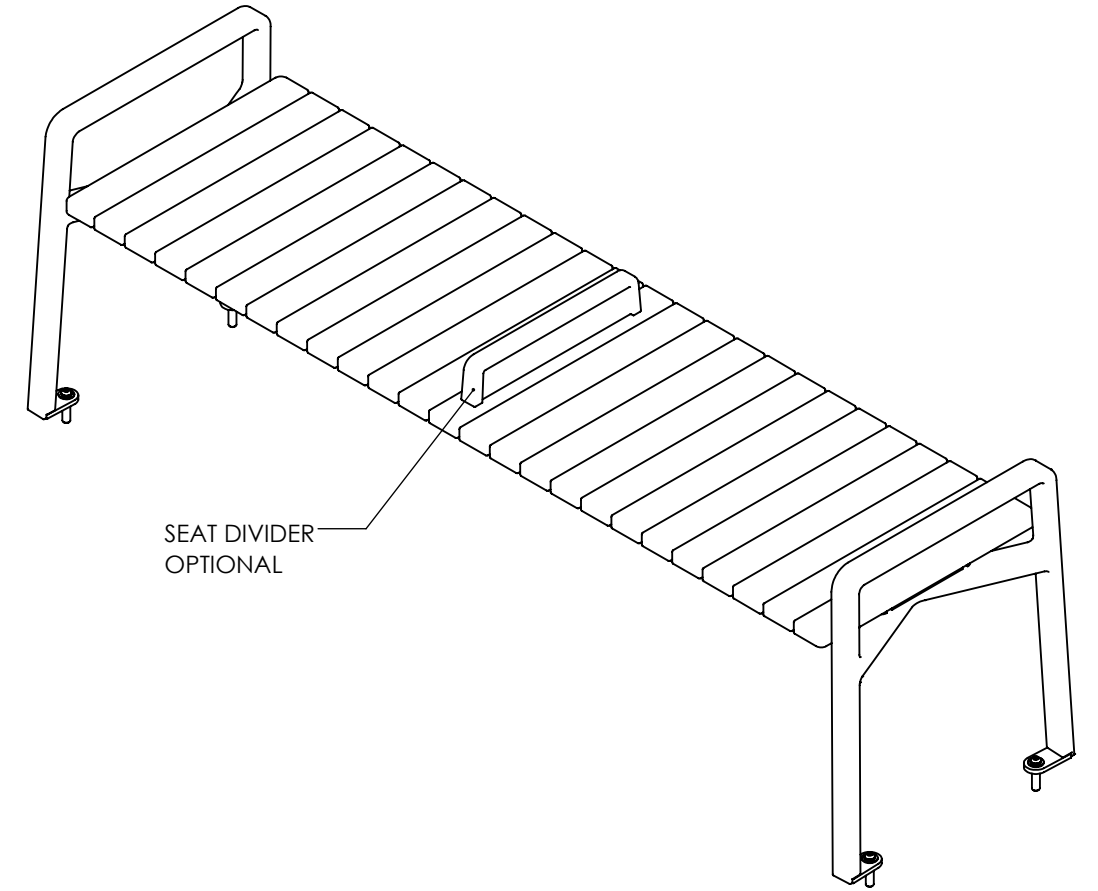
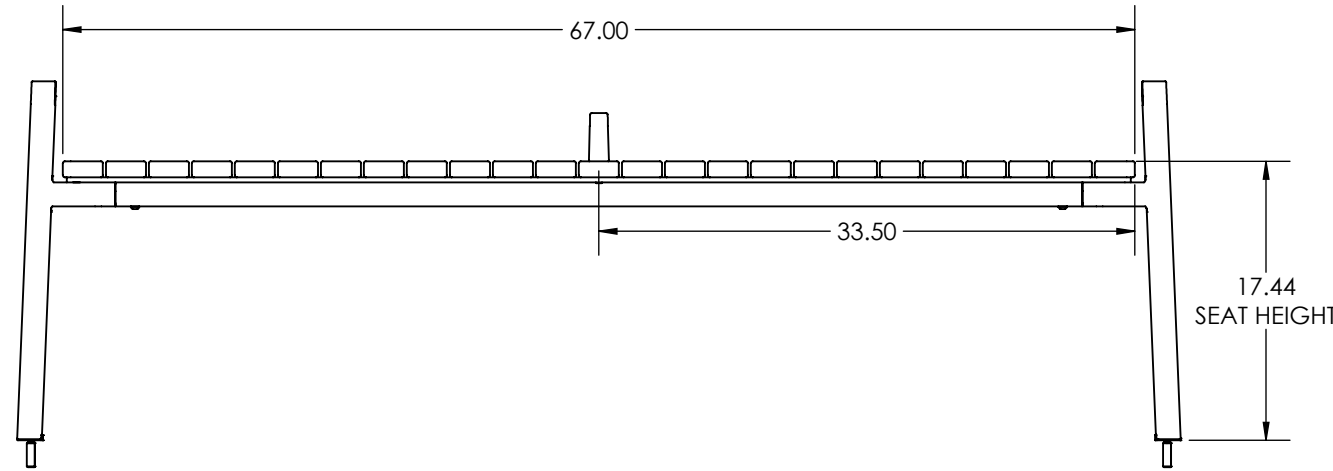


TOP VIEW

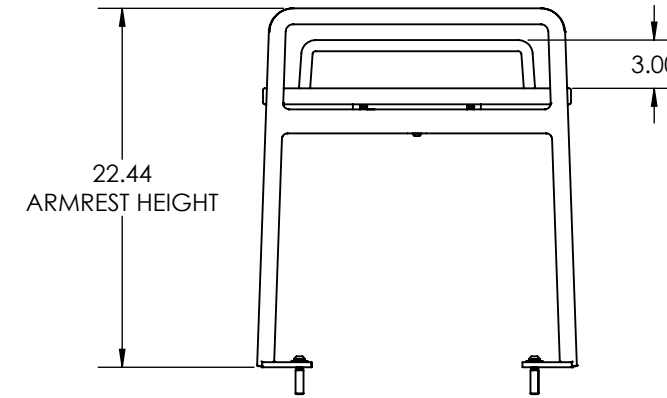


SEAT DIVIDER  
OPTIONAL

ISOMETRIC VIEW



FRONT VIEW



SIDE VIEW

CUSTOMER APPROVAL:

X \_\_\_\_\_

DATE:

X \_\_\_\_\_

UNLESS OTHERWISE SPECIFIED:

1. PRIMARY DIM. ARE IN INCHES & SECONDARY [DIM] IN MM
2. TOLERANCES  
FRACTIONAL:  $\pm 1/32$ ; ANGULAR/BEND:  $\pm 1^\circ$   
TWO PLACE DECIMAL  $\pm .030$   
THREE PLACE DECIMAL  $\pm .020$
3. REMOVE ALL BURRS AND SHARP EDGES

THIRD ANGLE PROJECTION

MATERIAL: SEE DATA SHEET

FINISH: SEE DATA SHEET

WEIGHT: SEE DATA SHEET

SCALE: NOT TO SCALE



30 Pine Street, Pittsburgh, PA 15223  
Tel (412) 781-9003 Fax (412) 781-7840

NAME	DATE
DWN DEF	2/25/2022
CHK	

DESCRIPTION:  
**FLOAT BENCH, 6 FEET, BACKLESS, SURFACE MOUNT**  
**SBFLO,6FT,BACKLESS,SFM**

PROPRIETARY AND CONFIDENTIAL  
THE INFORMATION CONTAINED IN THIS DRAWING IS THE SOLE PROPERTY OF FORMS + SURFACES. ANY REPRODUCTION IN PART OR AS A WHOLE WITHOUT WRITTEN PERMISSION IS PROHIBITED.

SIZE	DWG. NO.	REV	SHEET
B	SBFLO-6FT-BACKLESS-SFM-CS	0	1 OF 1