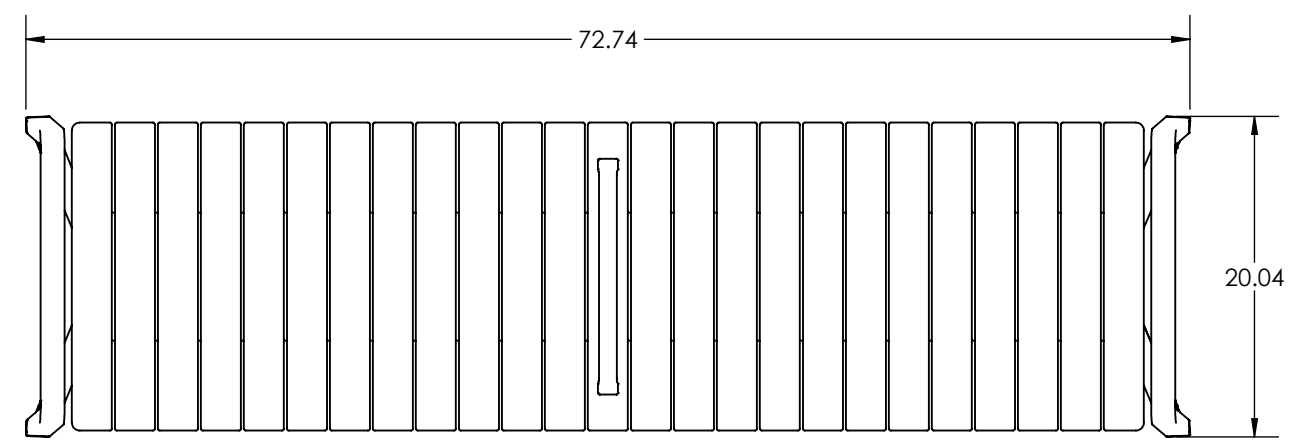
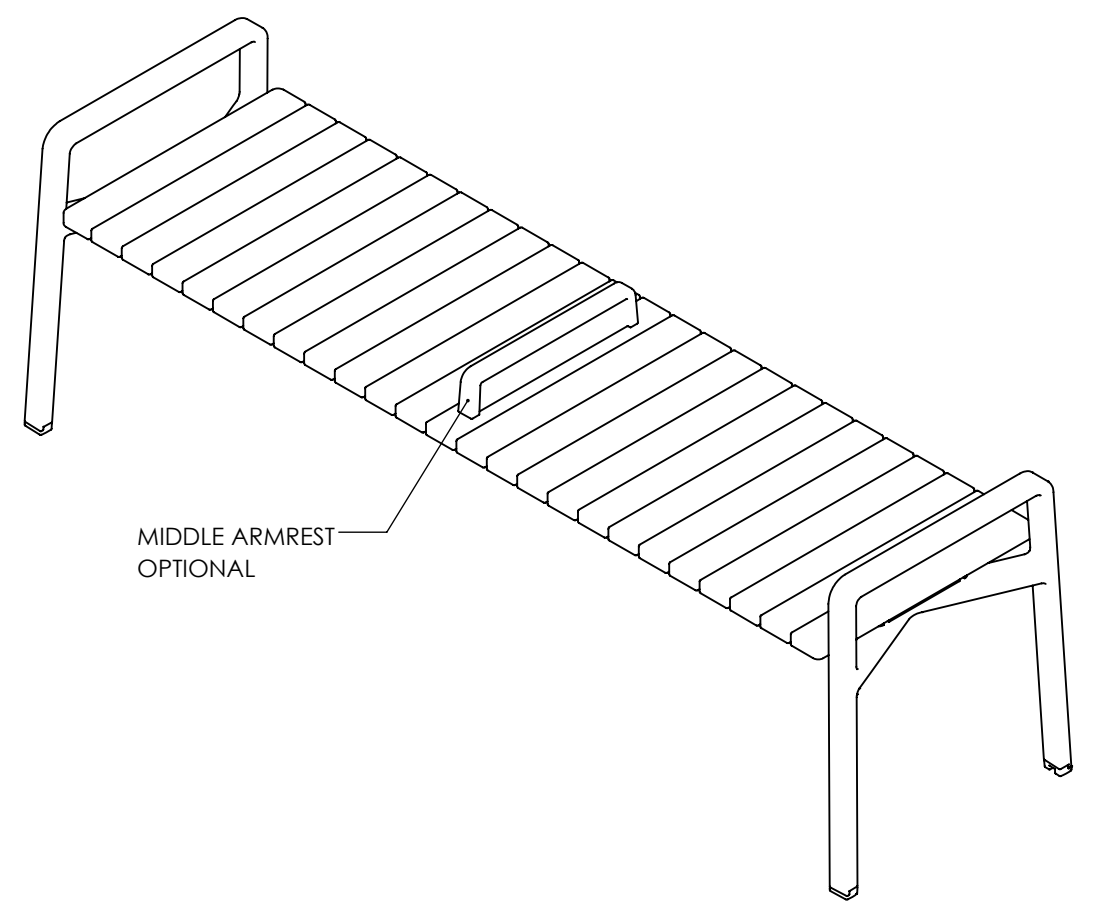


8 7 6 5 4 3 2 1

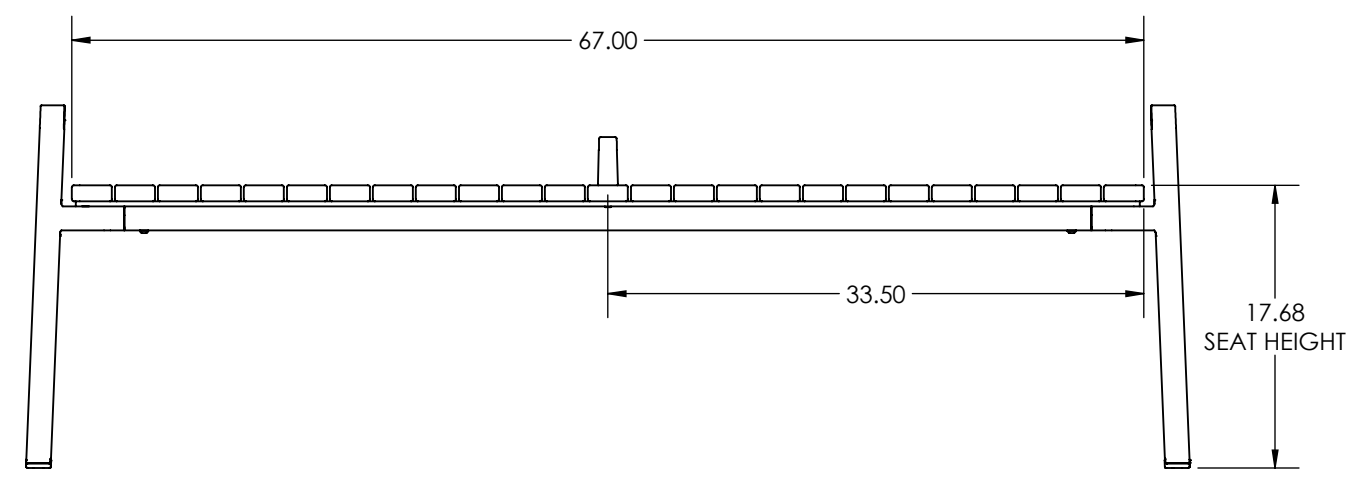
D  
C  
B  
A



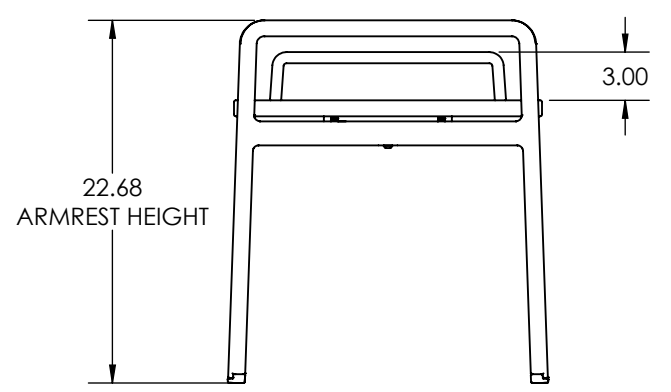
TOP VIEW



ISOMETRIC VIEW



FRONT VIEW



SIDE VIEW

CUSTOMER APPROVAL:

X \_\_\_\_\_

DATE:

X \_\_\_\_\_

**UNLESS OTHERWISE SPECIFIED:**  
 1. PRIMARY DIM. ARE IN INCHES & SECONDARY [DIM] IN MM  
 2. TOLERANCES  
 FRACTIONAL: ±1/32; ANGULAR/BEND: ±1°  
 TWO PLACE DECIMAL ±.030  
 THREE PLACE DECIMAL ±.020  
 3. REMOVE ALL BURRS AND SHARP EDGES  
 THIRD ANGLE PROJECTION  
 MATERIAL: SEE DATA SHEET  
 FINISH: SEE DATA SHEET  
 WEIGHT: SEE DATA SHEET  
 SCALE: NOT TO SCALE



30 Pine Street, Pittsburgh, PA 15223  
 Tel (412) 781-9003 Fax (412) 781-7840

	NAME	DATE
DWN	DEF	2/25/2022
CHK		

DESCRIPTION:			
<b>SBFLO,6FT,BACKLESS FLOAT BENCH, 6 FEET, BACKLESS</b>			
SIZE	DWG. NO.	REV	SHEET
B	SBFLO-6FT-BACKLESS-CS	0	1 OF 1

8 7 6 5 4 3 2 1