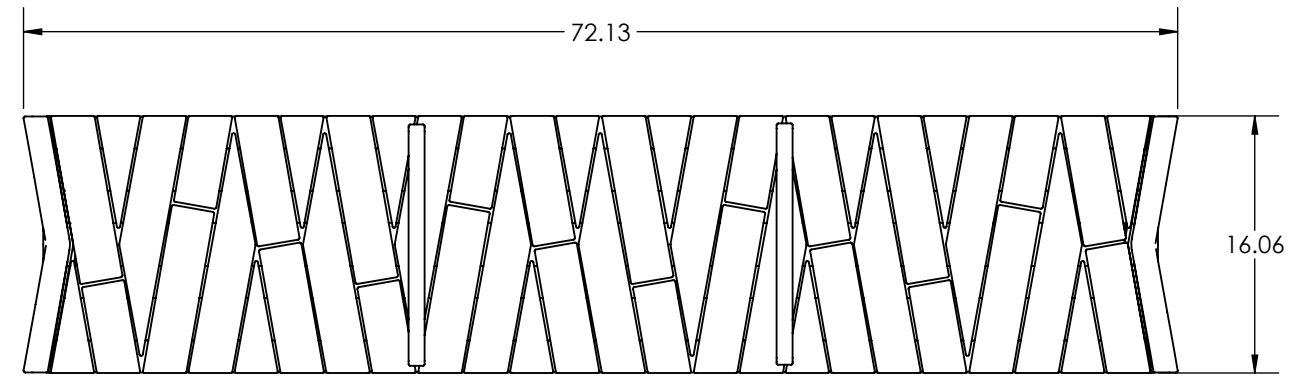


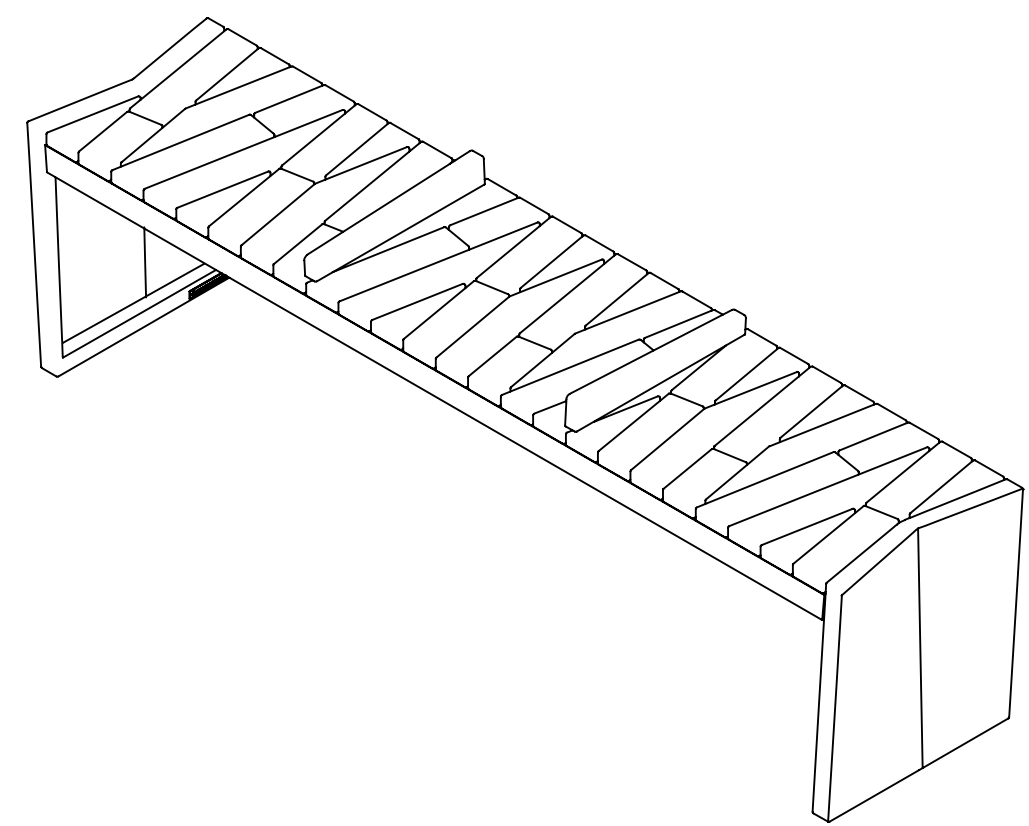
8 7 6 5 4 3 2 1

D

D



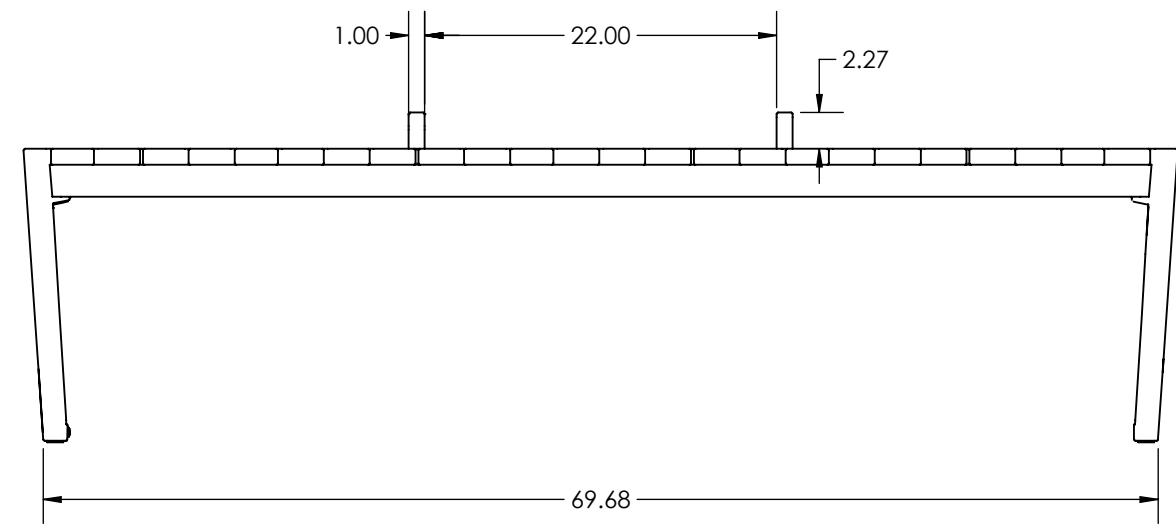
TOP VIEW



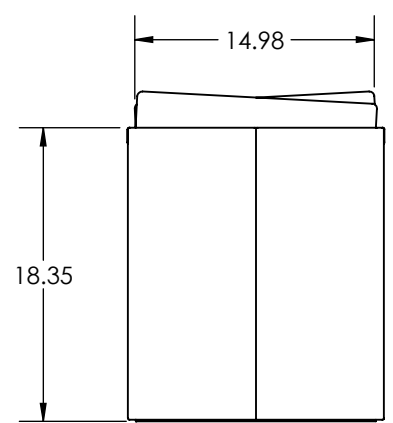
ISOMETRIC VIEW

C

C



FRONT VIEW



SIDE VIEW

B

B

CUSTOMER APPROVAL:

X _____

DATE:

X _____

A

A

<small>UNLESS OTHERWISE SPECIFIED: 1. PRIMARY DIM. ARE IN INCHES & SECONDARY [DIM] IN MM 2. TOLERANCES FRACTIONAL: ±1/32; ANGULAR/BEND: ±1° TWO PLACE DECIMAL ±.030 THREE PLACE DECIMAL ±.020 3. REMOVE ALL BURRS AND SHARP EDGES</small>				<small>30 Pine Street, Pittsburgh, PA 15223 Tel (412) 781-9003 Fax (412) 781-7840</small>		
<small>THIRD ANGLE PROJECTION</small>		NAME	DATE	DESCRIPTION: SBBWK-SFA BOARDWALK BENCH W/SEAT DIVIDERS, FREE STANDING		
<small>MATERIAL: SEE DATA SHEET</small>		DWN	DEF			3/22/2021
<small>FINISH: SEE DATA SHEET</small>		CHK				
<small>WEIGHT: SEE DATA SHEET</small>		<small>DO NOT SCALE DRAWING</small>			<small>PROPRIETARY AND CONFIDENTIAL THE INFORMATION CONTAINED IN THIS DRAWING IS THE SOLE PROPERTY OF FORMS + SURFACES. ANY REPRODUCTION IN PART OR AS A WHOLE WITHOUT WRITTEN PERMISSION IS PROHIBITED.</small>	
<small>SCALE: NOT TO SCALE</small>		SIZE	DWG. NO.	REV	SHEET	
		B	SBBWK-SFA-CS	0	1 OF 1	

8 7 6 5 4 3 2 1