

CUSTOMER APPROVAL:

X \_\_\_\_\_

DATE:

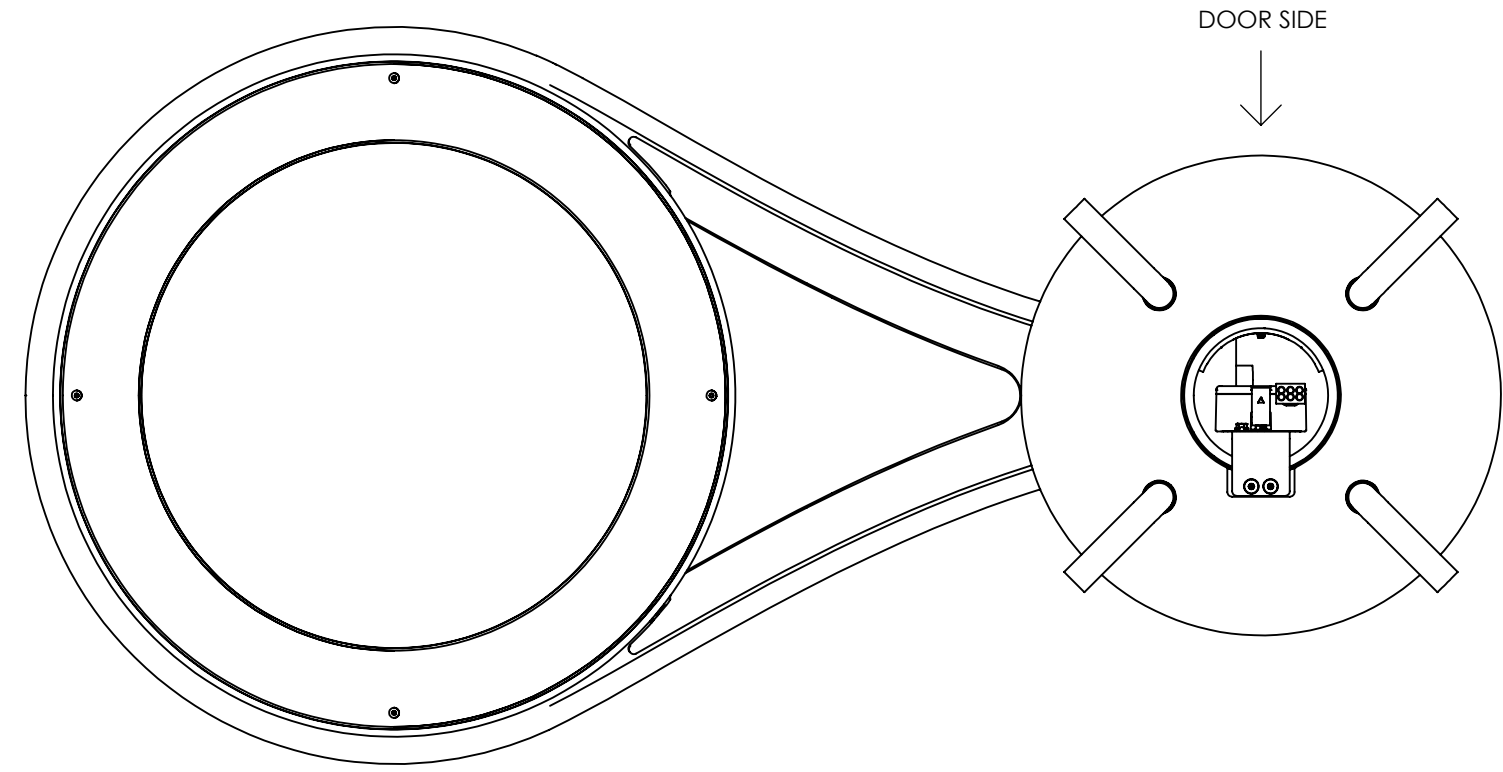
X \_\_\_\_\_

<b>UNLESS OTHERWISE SPECIFIED:</b> 1. PRIMARY DIM. ARE IN INCHES & SECONDARY [DIM] IN MM 2. TOLERANCES FRACTIONAL: ±1/32; ANGULAR/BEND: ±1° TWO PLACE DECIMAL ±.030 THREE PLACE DECIMAL ±.020 3. REMOVE ALL BURRS AND SHARP EDGES				30 Pine Street, Pittsburgh, PA 15223 Tel (412) 781-9003 Fax (412) 781-7840	
MATERIAL: SEE DATA SHEET FINISH: SEE DATA SHEET WEIGHT: SEE DATA SHEET SCALE: NOT TO SCALE		NAME: DWN DATE: 9/14/20 CHK:		DESCRIPTION: <b>APTOS PEDESTRIAN</b>  <b>LPAPT,412,1L,SFM</b>	
PROPRIETARY AND CONFIDENTIAL THE INFORMATION CONTAINED IN THIS DRAWING IS THE SOLE PROPERTY OF FORMS + SURFACES. ANY REPRODUCTION IN PART OR AS A WHOLE WITHOUT WRITTEN PERMISSION IS PROHIBITED.		SIZE: B	DWG. NO.: LPAPT-412-1L-CS	REV: 0	SHEET: 1 OF 2

8 7 6 5 4 3 2 1

D  
C  
B  
A

D  
C  
B  
A



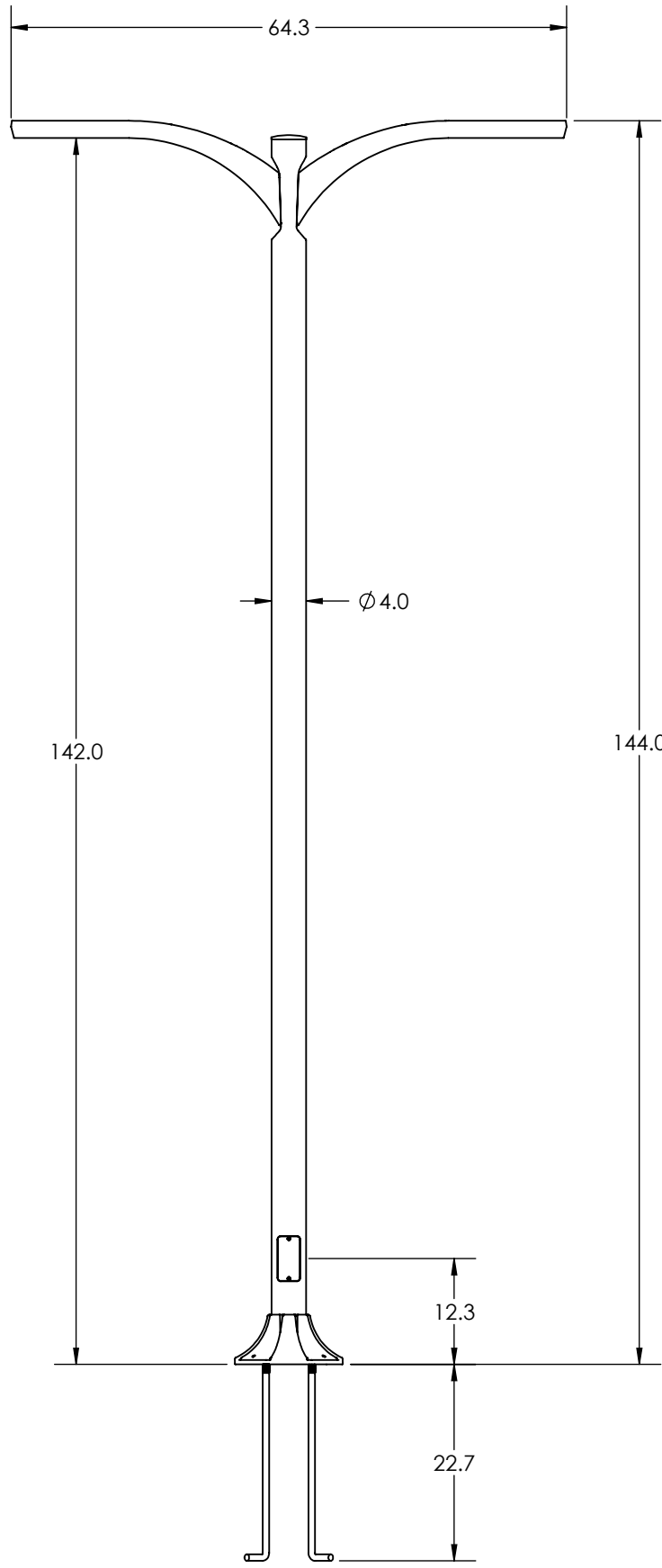
BOTTOM VIEW

<b>UNLESS OTHERWISE SPECIFIED:</b> 1. PRIMARY DIM. ARE IN INCHES & SECONDARY [DIM] IN MM 2. TOLERANCES FRACTIONAL: ±1/32; ANGULAR/BEND: ±1° TWO PLACE DECIMAL ±.030 THREE PLACE DECIMAL ±.020 3. REMOVE ALL BURRS AND SHARP EDGES THIRD ANGLE PROJECTION		<b>FORMS+SURFACES</b> 30 Pine Street, Pittsburgh, PA 15223 Tel (412) 781-9003 Fax (412) 781-7840			
MATERIAL: SEE DATA SHEET		NAME	DATE	DESCRIPTION: <b>APTOS PEDESTRIAN</b>  <b>LPAPT,412,1L,SFM</b>	
FINISH: SEE DATA SHEET		DWN	STF		
WEIGHT: SEE DATA SHEET		CHK	9/14/20		
SCALE: NOT TO SCALE		DO NOT SCALE DRAWING		THE INFORMATION CONTAINED IN THIS DRAWING IS THE SOLE PROPERTY OF FORMS + SURFACES. ANY REPRODUCTION IN PART OR AS A WHOLE WITHOUT WRITTEN PERMISSION IS PROHIBITED.	
		SIZE	DWG. NO.	REV	SHEET
		B	LPAPT-412-1L-CS	0	2 OF 2

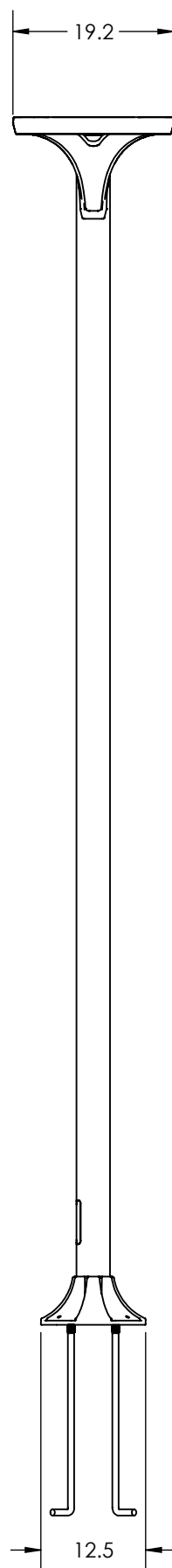
8 7 6 5 4 3 2 1

8 7 6 5 4 3 2 1

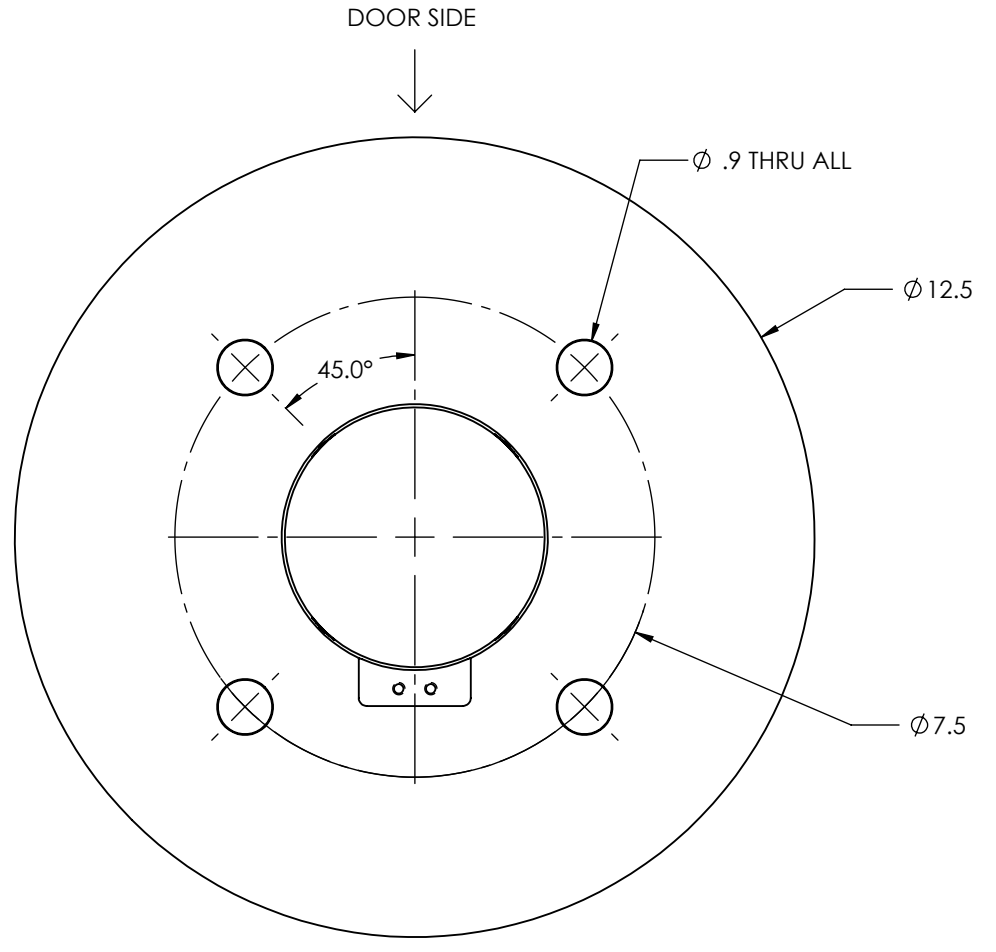
D  
C  
B  
A



FRONT VIEW



RIGHT VIEW



BOTTOM VIEW (BASE ONLY)

CUSTOMER APPROVAL:

X \_\_\_\_\_

DATE:

X \_\_\_\_\_

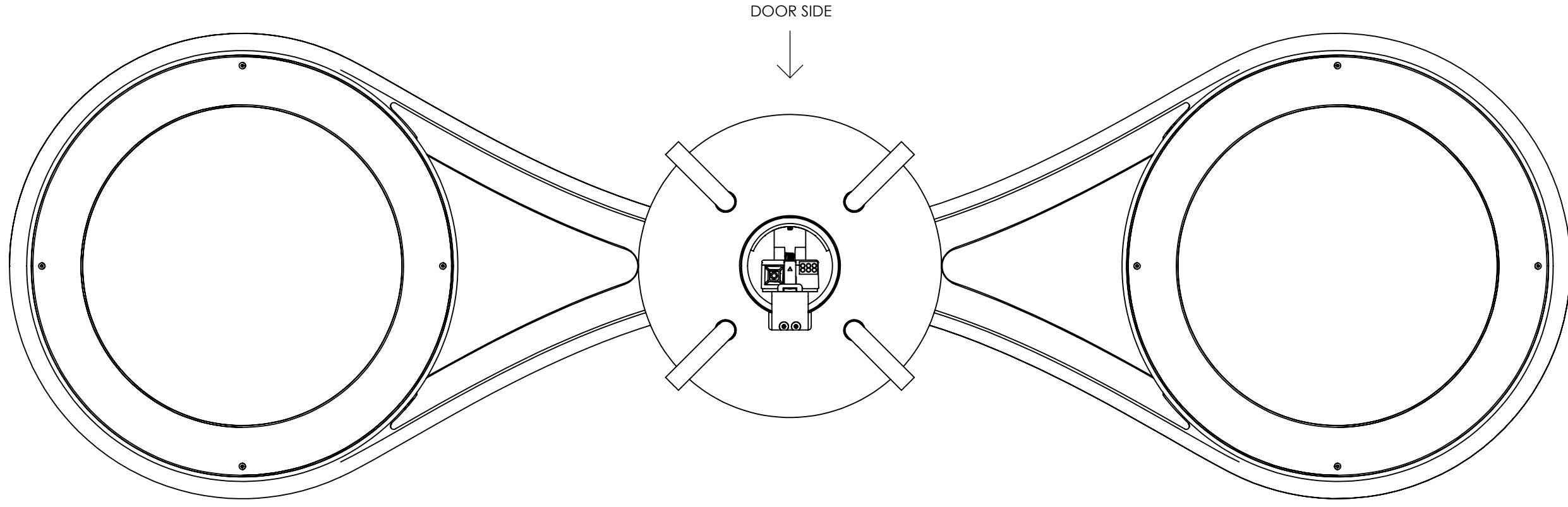
<b>UNLESS OTHERWISE SPECIFIED:</b> 1. PRIMARY DIM. ARE IN INCHES & SECONDARY [DIM] IN MM 2. TOLERANCES FRACTIONAL: ±1/32; ANGULAR/BEND: ±1° TWO PLACE DECIMAL ±.030 THREE PLACE DECIMAL ±.020 3. REMOVE ALL BURRS AND SHARP EDGES THIRD ANGLE PROJECTION				30 Pine Street, Pittsburgh, PA 15223 Tel (412) 781-9003 Fax (412) 781-7840	
MATERIAL: SEE DATA SHEET FINISH: SEE DATA SHEET WEIGHT: SEE DATA SHEET SCALE: NOT TO SCALE		DO NOT SCALE DRAWING <b>PROPRIETARY AND CONFIDENTIAL</b> THE INFORMATION CONTAINED IN THIS DRAWING IS THE SOLE PROPERTY OF FORMS + SURFACES. ANY REPRODUCTION IN PART OR AS A WHOLE WITHOUT WRITTEN PERMISSION IS PROHIBITED.		DESCRIPTION: <b>APTOS PEDESTRIAN</b>  <b>LPAPT,412,2L,SFM</b>	
		NAME DWN    STF	DATE 9/14/20	SIZE B	DWG. NO. LPAPT-412-2L-CS
		CHK _____		REV 0	SHEET 1 OF 2

8 7 6 5 4 3 2 1

8 7 6 5 4 3 2 1

D  
C  
B  
A

D  
C  
B  
A



**BOTTOM VIEW**

**UNLESS OTHERWISE SPECIFIED:**  
 1. PRIMARY DIM. ARE IN INCHES & SECONDARY [DIM] IN MM  
 2. TOLERANCES  
 FRACTIONAL:  $\pm 1/32$ ; ANGULAR/BEND:  $\pm 1^\circ$   
 TWO PLACE DECIMAL  $\pm .030$   
 THREE PLACE DECIMAL  $\pm .020$   
 3. REMOVE ALL BURRS AND SHARP EDGES  
 THIRD ANGLE PROJECTION  
 MATERIAL: SEE DATA SHEET  
 FINISH: SEE DATA SHEET  
 WEIGHT: SEE DATA SHEET  
 SCALE: NOT TO SCALE



30 Pine Street, Pittsburgh, PA 15223  
 Tel (412) 781-9003 Fax (412) 781-7840

NAME	DATE
DWN	9/14/20
STF	
CHK	

DESCRIPTION:			
<b>APTOS PEDESTRIAN</b>			
<b>LPAPT,412,2L,SFM</b>			
SIZE	DWG. NO.	REV	SHEET
B	LPAPT-412-2L-CS	0	2 OF 2

8 7 6 5 4 3 2 1