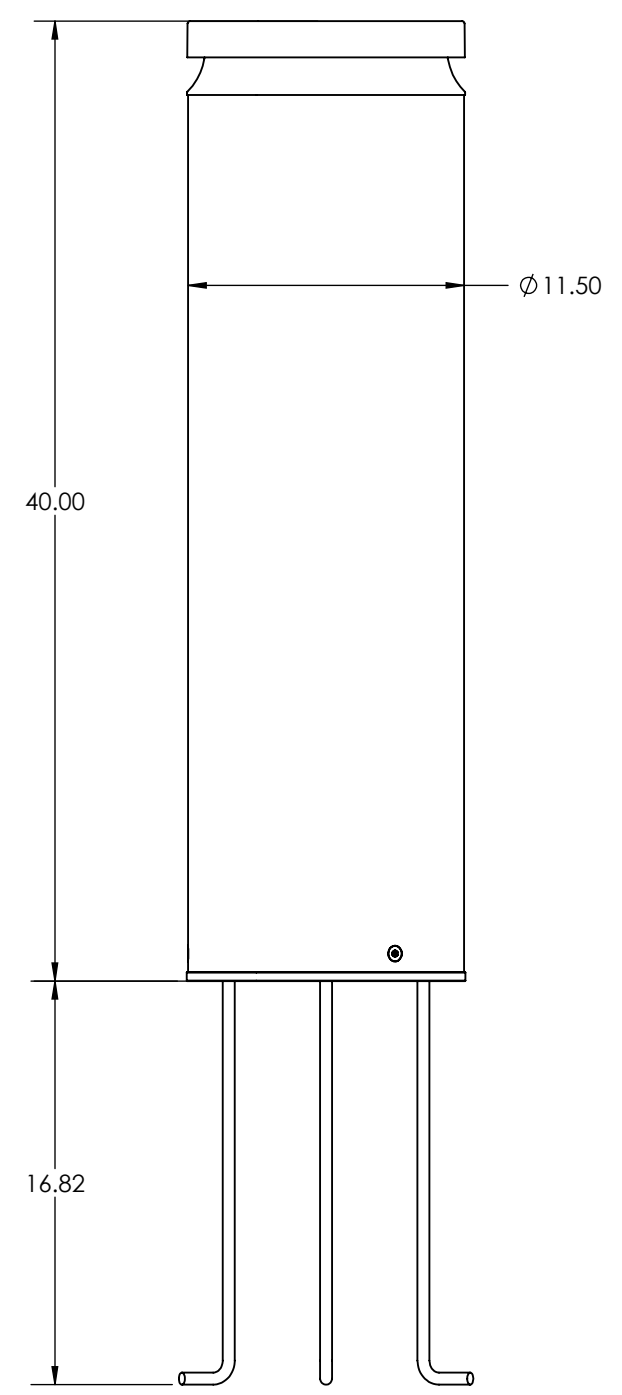
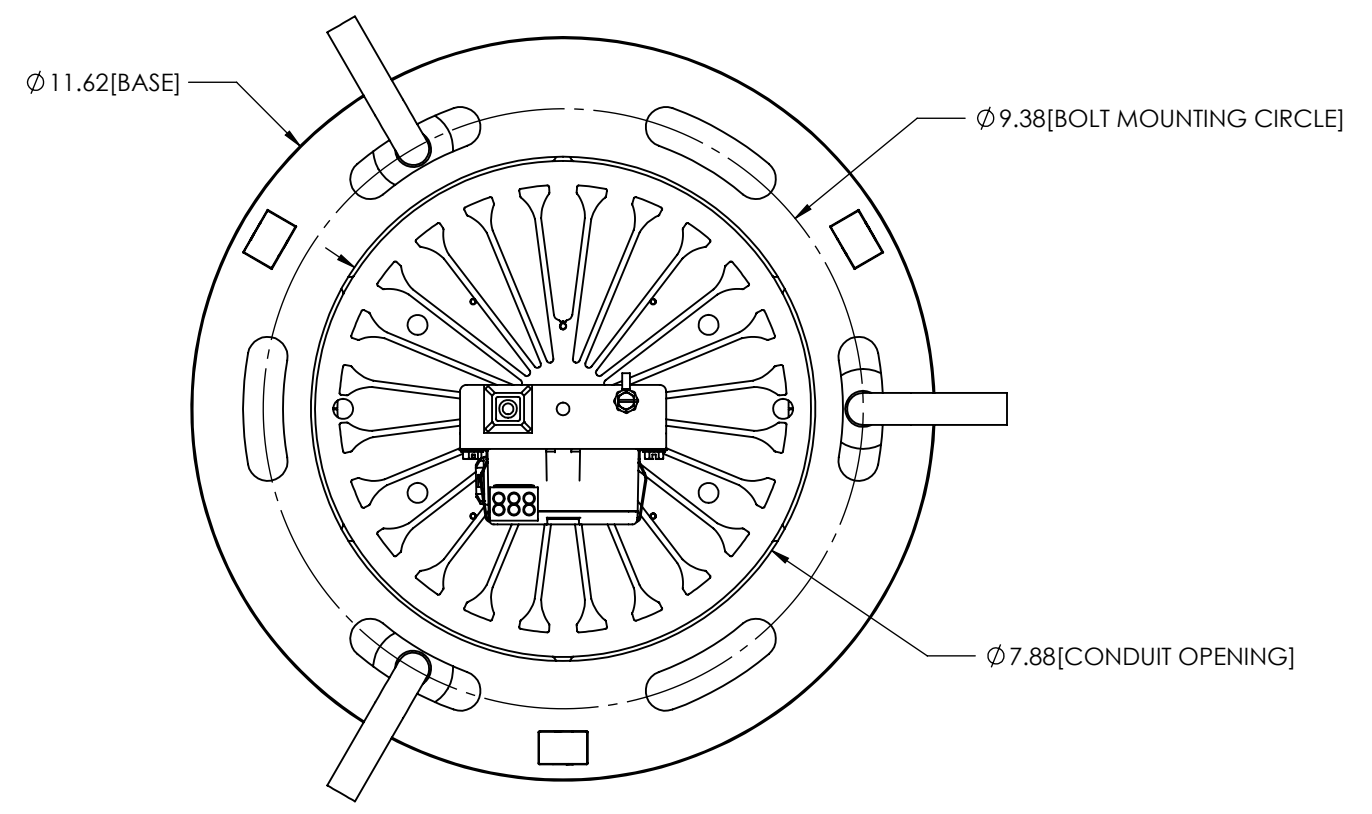


8 7 6 5 4 3 2 1

D
C
B
A



FRONT VIEW



BOTTOM VIEW

CUSTOMER APPROVAL:

X _____

DATE:

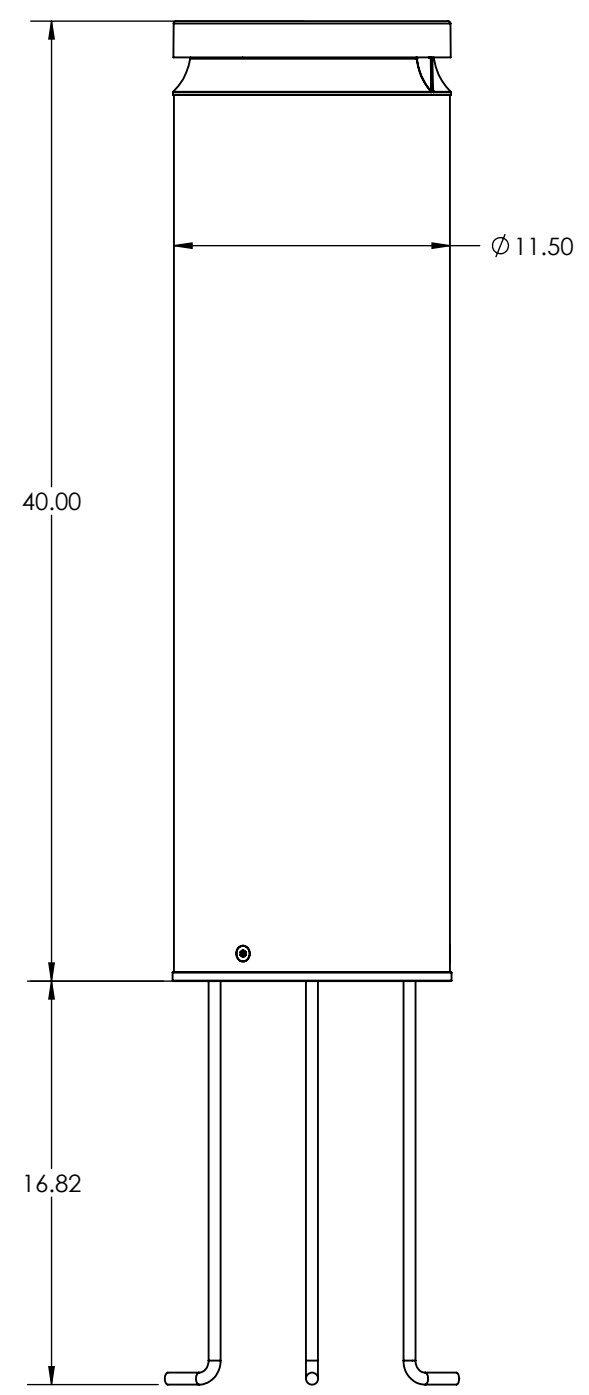
X _____

<p>UNLESS OTHERWISE SPECIFIED: 1. PRIMARY DIM. ARE IN INCHES & SECONDARY [DIM] IN MM 2. TOLERANCES FRACTIONAL: ±1/32; ANGULAR/BEND: ±1° TWO PLACE DECIMAL ±.030 THREE PLACE DECIMAL ±.020 3. REMOVE ALL BURRS AND SHARP EDGES</p>		<p>FORMS+SURFACES 30 Pine Street, Pittsburgh, PA 15223 Tel (412) 781-9003 Fax (412) 781-7840</p>		
<p>THIRD ANGLE PROJECTION</p>		<p>NAME</p>	<p>DATE</p>	<p>DESCRIPTION: HELIO BOLLARD SERIES 1200,360° LBHLO-1203,360,SFM</p>
<p>MATERIAL: SEE DATA SHEET</p>		<p>DWN</p>	<p>STF</p>	
<p>FINISH: SEE DATA SHEET</p>		<p>CHK</p>	<p>7/31/20</p>	
<p>WEIGHT: SEE DATA SHEET</p>		<p>DO NOT SCALE DRAWING</p>		
<p>SCALE: NOT TO SCALE</p>		<p>PROPRIETARY AND CONFIDENTIAL THE INFORMATION CONTAINED IN THIS DRAWING IS THE SOLE PROPERTY OF FORMS + SURFACES. ANY REPRODUCTION IN PART OR AS A WHOLE WITHOUT WRITTEN PERMISSION IS PROHIBITED.</p>		<p>SIZE</p>
		<p>B</p>	<p>DWG. NO. LBHLO-1203-360-SFM-CS</p>	<p>REV 0</p>
				<p>SHEET 1 OF 1</p>

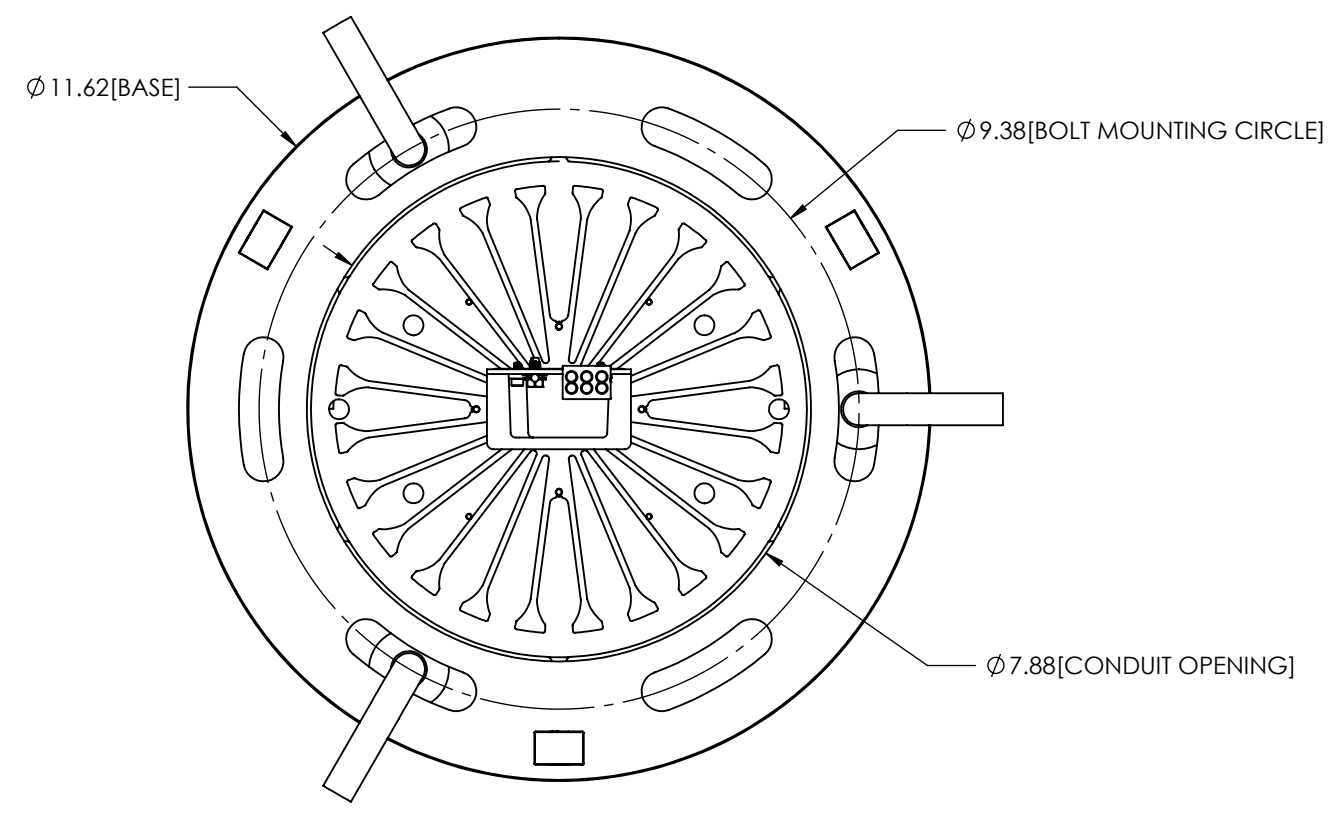
8 7 6 5 4 3 2 1

8 7 6 5 4 3 2 1

D
C
B
A



FRONT VIEW



BOTTOM VIEW

CUSTOMER APPROVAL:

X _____

DATE:

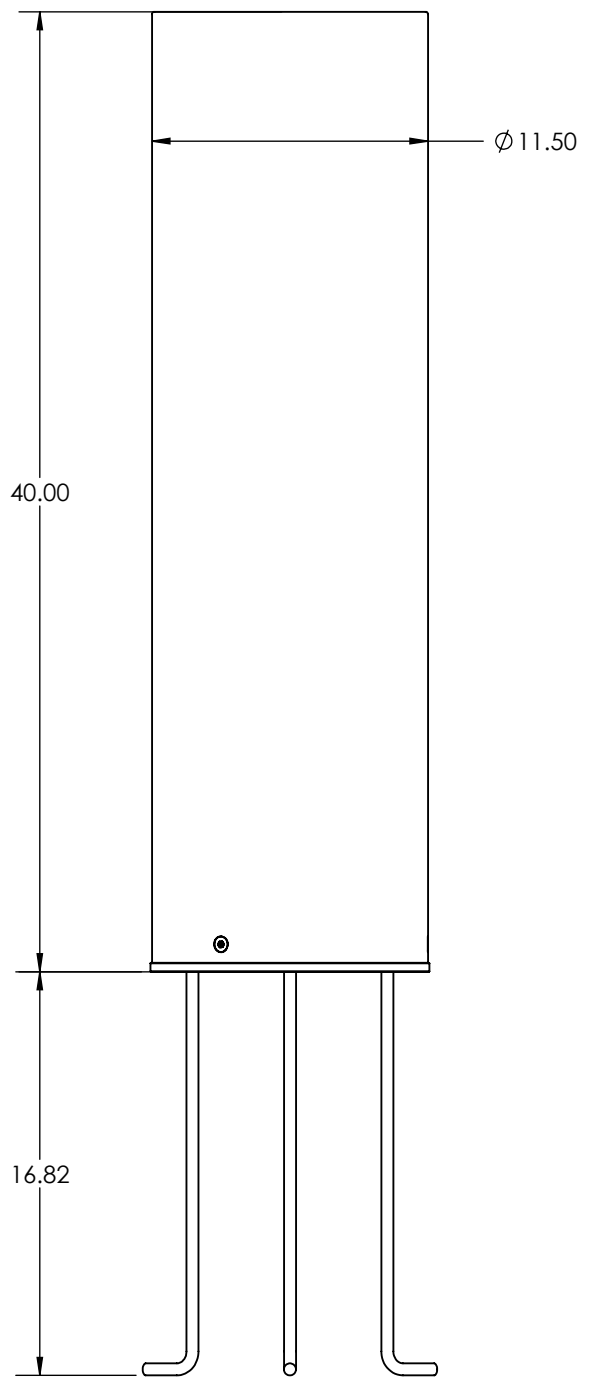
X _____

UNLESS OTHERWISE SPECIFIED: 1. PRIMARY DIM. ARE IN INCHES & SECONDARY [DIM] IN MM 2. TOLERANCES FRACTIONAL: ±1/32; ANGULAR/BEND: ±1° TWO PLACE DECIMAL ±.030 THREE PLACE DECIMAL ±.020 3. REMOVE ALL BURRS AND SHARP EDGES THIRD ANGLE PROJECTION		FORMS+SURFACES 30 Pine Street, Pittsburgh, PA 15223 Tel (412) 781-9003 Fax (412) 781-7840	
MATERIAL: SEE DATA SHEET FINISH: SEE DATA SHEET WEIGHT: SEE DATA SHEET SCALE: NOT TO SCALE		DESCRIPTION: HELIO BOLLARD SERIES 1200,180° LBHLO-1203,180,SFM	
PROPRIETARY AND CONFIDENTIAL THE INFORMATION CONTAINED IN THIS DRAWING IS THE SOLE PROPERTY OF FORMS + SURFACES. ANY REPRODUCTION IN PART OR AS A WHOLE WITHOUT WRITTEN PERMISSION IS PROHIBITED.		NAME: DWN DATE: 7/31/20 CHECKED: STF DRAWN: CHK	REV: 0 SHEET: 1 OF 1

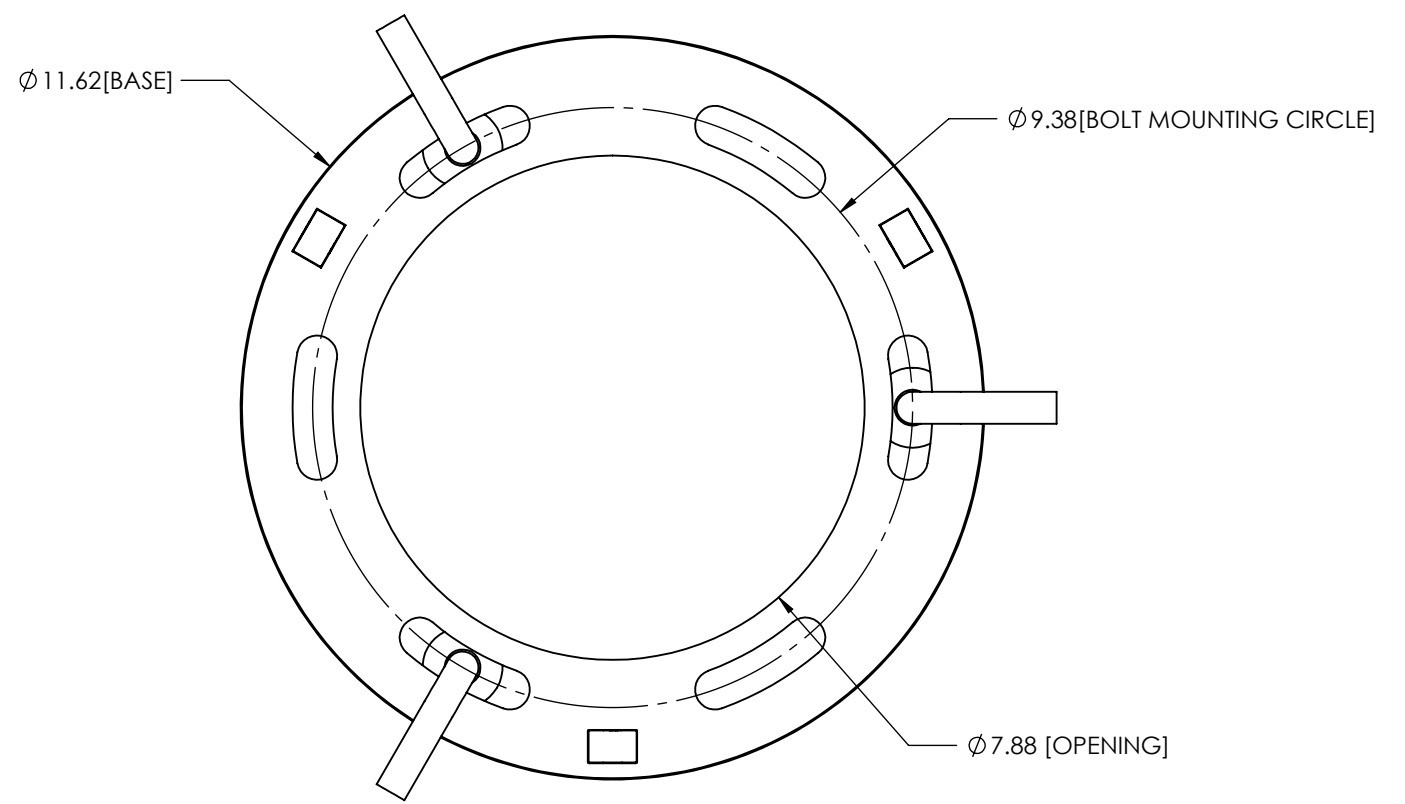
8 7 6 5 4 3 2 1

8 7 6 5 4 3 2 1

D
C
B
A



FRONT VIEW



BOTTOM VIEW

CUSTOMER APPROVAL:

X _____

DATE:

X _____

UNLESS OTHERWISE SPECIFIED: 1. PRIMARY DIM. ARE IN INCHES & SECONDARY [DIM] IN MM 2. TOLERANCES FRACTIONAL: ±1/32; ANGULAR/BEND: ±1° TWO PLACE DECIMAL ±.030 THREE PLACE DECIMAL ±.020 3. REMOVE ALL BURRS AND SHARP EDGES THIRD ANGLE PROJECTION		FORMS+SURFACES 30 Pine Street, Pittsburgh, PA 15223 Tel (412) 781-9003 Fax (412) 781-7840	
MATERIAL: SEE DATA SHEET FINISH: SEE DATA SHEET WEIGHT: SEE DATA SHEET SCALE: NOT TO SCALE		DESCRIPTION: HELIO BOLLARD SERIES 1200, NON-LIT LBHLO-1203,NLIT,POLE,SFM	
DO NOT SCALE DRAWING PROPRIETARY AND CONFIDENTIAL THE INFORMATION CONTAINED IN THIS DRAWING IS THE SOLE PROPERTY OF FORMS + SURFACES. ANY REPRODUCTION IN PART OR AS A WHOLE WITHOUT WRITTEN PERMISSION IS PROHIBITED.		NAME: DWN DATE: 8/27/20 CHK:	SIZE: B DWG. NO.: LBHLO-1203-NLIT-SFM-CS REV: 0 SHEET: 1 OF 1

8 7 6 5 4 3 2 1