

PROJECT NAME: \_\_\_\_\_

DATE: \_\_\_\_\_

JOB LOCATION: \_\_\_\_\_

COMPANY: \_\_\_\_\_

SPECIFIER: \_\_\_\_\_

PLEASE USE ADOBE READER OR ADOBE ACROBAT TO FILL OUT AND SAVE FORM. USING OTHER PROGRAMS COULD RESULT IN UNSAVED DATA.

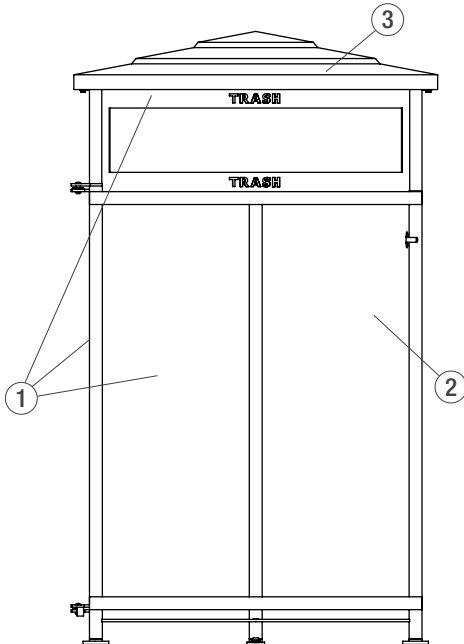
## MODEL

QUANTITY	MODEL	
_____	SLURB-36TO	Urban Renaissance, 36 gallon, top opening litter receptacle
_____	SLURB-45TO	Urban Renaissance, 45 gallon, top opening litter receptacle
_____	SLURB-36SO	Urban Renaissance, 36 gallon, side opening litter receptacle
_____	SLURB-45SO	Urban Renaissance, 45 gallon, side opening litter receptacle
_____	SLURB-36RB	Urban Renaissance, 36 gallon, side opening litter & recycling receptacle with integrated recycle bin
_____	SLURB-36SS	Urban Renaissance, 36 gallon, side opening, split-stream litter & recycling receptacle
_____	SLURB-45SS	Urban Renaissance, 45 gallon, side opening, split-stream litter & recycling receptacle

## OPTIONS

### URBAN RENAISSANCE RECEPTACLE

45 gallon, side opening, split-stream shown



#### ① Powdercoat Color Options

Please select **one** option below and write in specified color.

Standard Texture from F+S Powdercoat Color Chart

Custom RAL Powdercoat Color (subject to upcharge)

#### ② Grillwork Options

Please select **one** option below.

Udrop

Vista

Vertical

#### ③ Lid Options

Sand-filled ash lid

Yes

No

NOTE: Option **only** available for side-opening receptacles

**Latch Options**

Please select one option below.

- Standard lift latch
- Tool-operated security latch

**Mounting Options**

- Freestanding with levelers
- Surface Mount\*
  - Add F+S stainless steel mounting hardware kit\*
  - Do not include F+S mounting hardware kit

*\*Hardware is required for surface mount litter receptacles. Mounting kits can be purchased from F+S for an additional charge.*

**NOTES**

---



---



---

Please send completed forms to [sales@forms-surfaces.com](mailto:sales@forms-surfaces.com) or contact us at **800.451.0410** with any questions.