

PROJECT NAME: _____

DATE: _____

JOB LOCATION: _____

COMPANY: _____

SPECIFIER: _____

PLEASE USE ADOBE READER OR ADOBE ACROBAT TO FILL OUT AND SAVE FORM. USING OTHER PROGRAMS COULD RESULT IN UNSAVED DATA.

MODEL

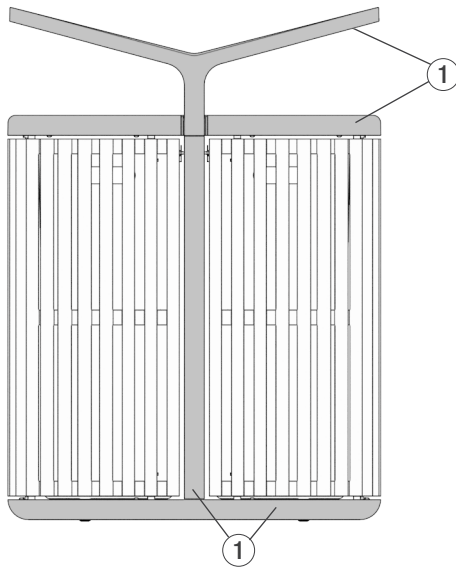
QUANTITY	MODEL	
_____	SLTNO-230C	Tonyo Receptacle, 60-gallon, split-stream, FSC® 100% Cumaru hardwood body/doors
_____	SLTNO-230S	Tonyo Receptacle, 60-gallon, split-stream, powdercoated stainless steel body/doors

FSC License Code: FSC-C004453

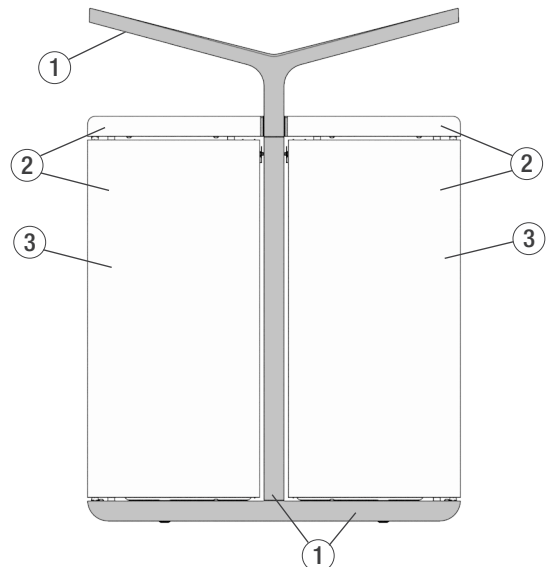
POWDERCOAT OPTIONS

Powdercoat options vary per configuration. See below for visual representation, and choose corresponding colors on Page 2. Note that ① and ② can be the same color, or two different colors for a color-blocking effect. Note: Due to the inherent nature of metal castings, gloss powdercoats are not offered for cast components. Perforations ③ are optional for stainless steel body/door models and can also be selected on page 2.

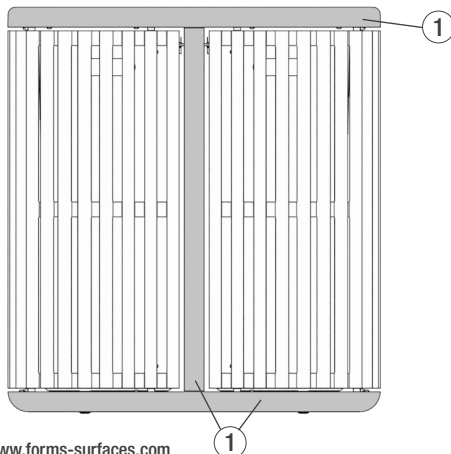
**TONYO RECEPTACLE, 60-GALLON,
FSC® 100% CUMARU HARDWOOD BODY/DOORS, WITH RAIN HAT**



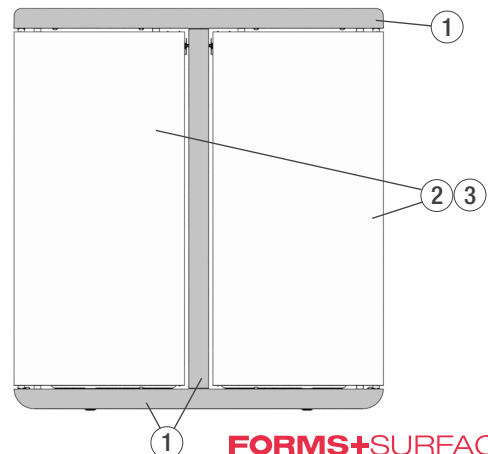
**TONYO RECEPTACLE, 60-GALLON,
STAINLESS STEEL BODY/DOORS, WITH RAIN HAT**



**TONYO RECEPTACLE, 60-GALLON,
FSC® 100% CUMARU HARDWOOD BODY/DOORS, WITHOUT RAIN HAT**



**TONYO RECEPTACLE, 60-GALLON,
STAINLESS STEEL BODY/DOORS, WITHOUT RAIN HAT**



T 800.451.0410 | www.forms-surfaces.com

FORMS+SURFACES®

© 2023 Forms+Surfaces® | All dimensions are nominal. Specifications and pricing subject to change without notice. For the most current version of this document, please refer to our website at www.forms-surfaces.com.

Powdercoat Color Options

Please select **one** option below and write in specified color.

① Lid, Sidebars and Base

Standard Texture from F+S Powdercoat Color Chart

Custom RAL Powdercoat Color *(subject to upcharge)*

② Stainless Steel Body/Door (when specified)

Standard Texture from F+S Powdercoat Color Chart

Custom RAL Powdercoat Color *(subject to upcharge)*

③ Stainless Steel Body/Door Perforation Pattern Options

Please select **one** option below.

- No perforation
- Notch perforation
- Plait perforation
- Terra perforation
- Warp perforation

INSTRUCTIONAL GRAPHICS

Instructional graphics are optional. Options vary per receptacle configuration and generally consist of multiple graphic elements that incorporate color, waste stream symbols and/or text that indicate the use for each opening.

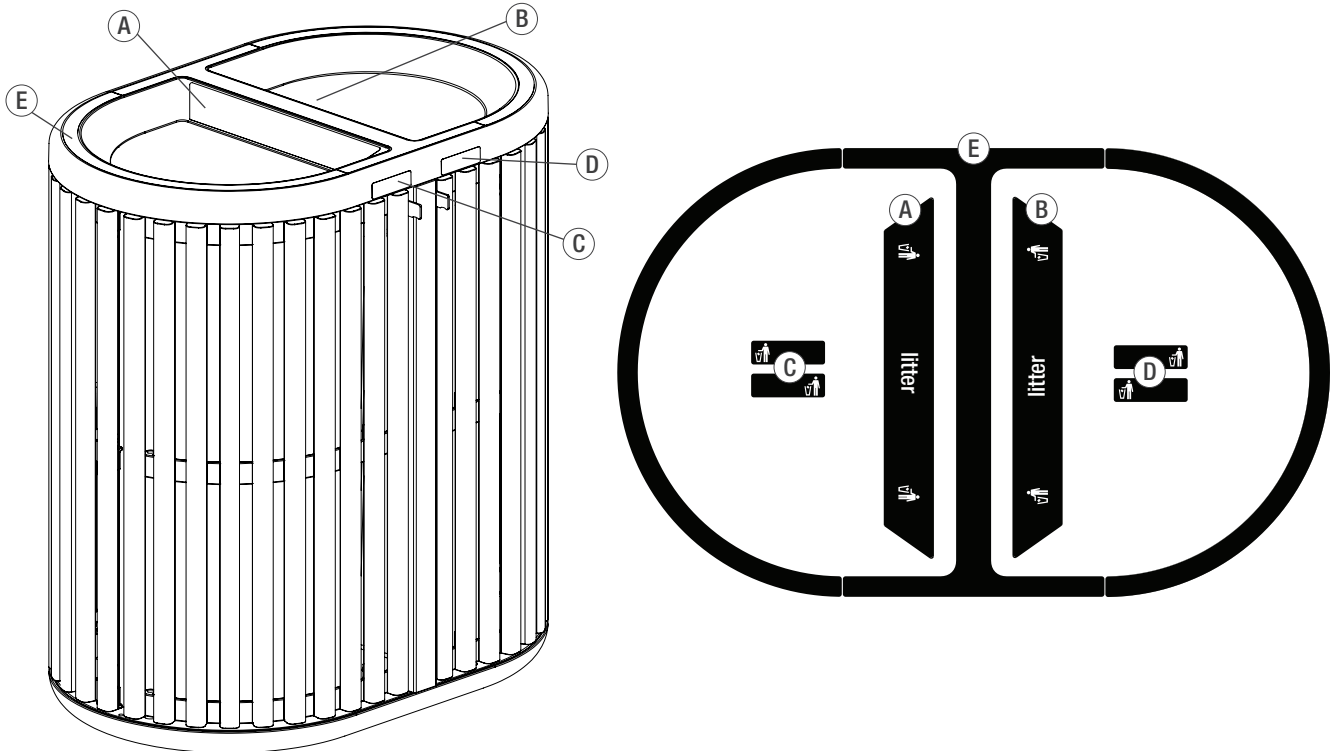
Include Instructional Graphics?

Yes (please make selections from pages 3 & 4)

No (skip pages 3 & 4 and go directly to page 5)

Graphic Options - FSC 100% Cumaru Body/Door

*Please select a message and background color for lid Graphic A and lid Graphic C (Graphic A message = symbol + lettering; Graphic C message = symbol only). Also select a message and background color for lid Graphic B and lid Graphic D (Graphic B message = symbol + lettering; Graphic D message = symbol only). When Graphics A/C & B/D have different background colors, the two colors fade together to create top-of-lid Graphic E. **NOTE:** All letters and symbols are white.*



Graphic A Message

- landfill
- recycling
- glass
- paper
- litter
- bottles & cans
- aluminum
- compost

Graphics A&C Background Color*

- green
- blue
- black

Graphic B Message

- landfill
- recycling
- glass
- paper
- litter
- bottles & cans
- aluminum
- compost

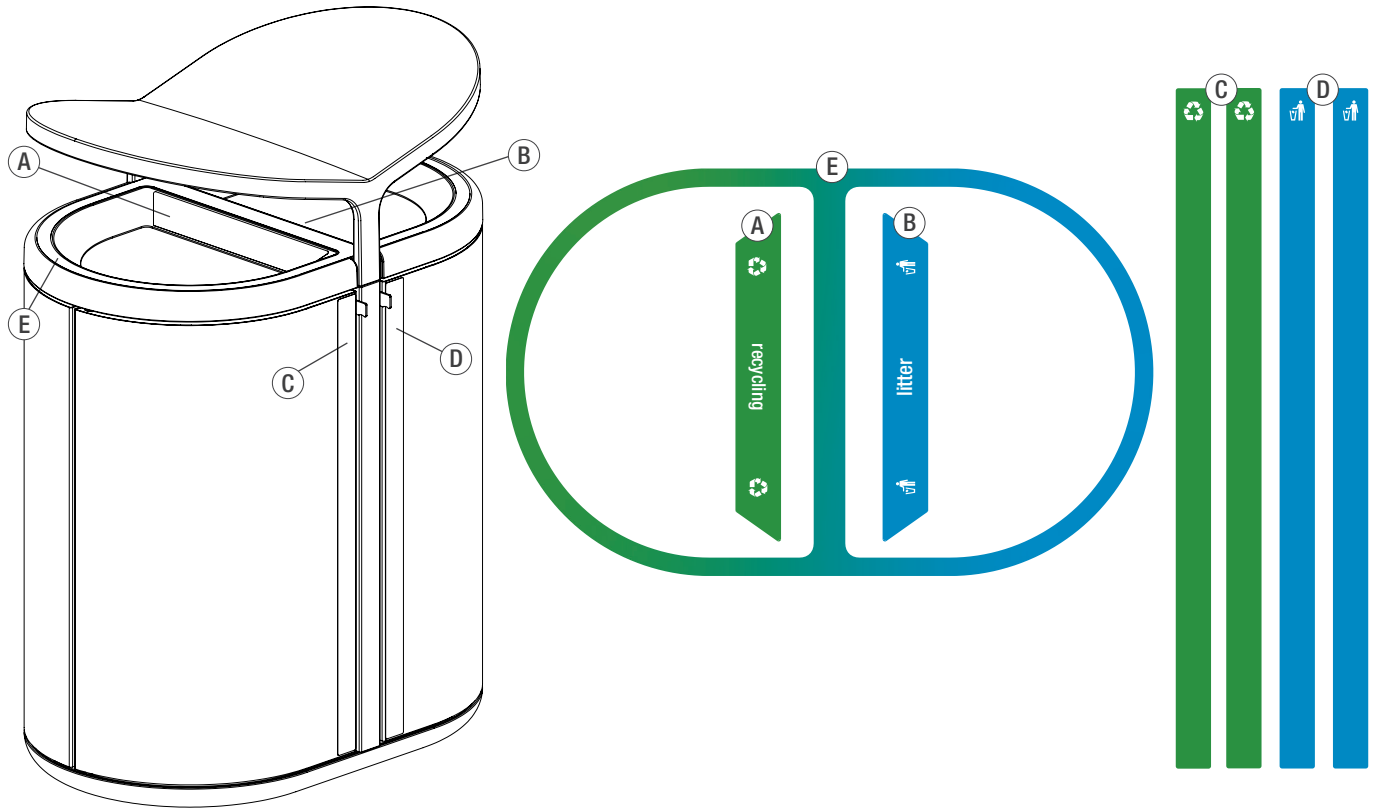
Graphics B&D Background Color*

- green
- blue
- black

**Color applies to corresponding half of Graphic E.*

Graphic Options - Stainless Steel Body/Door (shown with optional rain hat)

Please select a message and background color for lid Graphic A and door Graphic C (Graphic A message = symbol + lettering; Graphic C message = symbol only). Also select a message and background color for lid Graphic B and door Graphic D (Graphic B message = symbol + lettering; Graphic D message = symbol only). When Graphics A/C & B/D have different background colors, the two colors fade together to create top-of-lid Graphic E. **NOTE:** All letters and symbols are white.



Graphic A&C Message

- landfill
- recycling
- glass
- paper
- litter
- bottles & cans
- aluminum
- compost

Graphics A&C Background Color*

- green
- blue
- black

Graphic B&D Message

- landfill
- recycling
- glass
- paper
- litter
- bottles & cans
- aluminum
- compost

Graphics B&D Background Color*

- green
- blue
- black

*Color applies to corresponding half of Graphic E. Graphics C and D are mirrored on opposite side of receptacle.

Latch Options	Rain Hat
<i>Please select one option below.</i>	<i>Please select one option below.</i>
<input type="checkbox"/> Standard lift latch <input type="checkbox"/> Limited-access latch	<input type="checkbox"/> Yes <input type="checkbox"/> No

Mounting Options
<input type="checkbox"/> Freestanding with levelers <input type="checkbox"/> Surface Mount with levelers* <ul style="list-style-type: none"> <input type="checkbox"/> Add F+S stainless steel mounting hardware kit* <input type="checkbox"/> Do not include F+S mounting hardware kit
<i>*Hardware is required for surface mount litter receptacles. Mounting kits can be purchased from F+S for an additional charge.</i>

NOTES _____

Please send completed forms to sales@forms-surfaces.com or contact us at **800.451.0410** with any questions.