

PROJECT NAME: _____

DATE: _____

JOB LOCATION: _____

COMPANY: _____

SPECIFIER: _____

PLEASE USE ADOBE READER OR ADOBE ACROBAT TO FILL OUT AND SAVE FORM. USING OTHER PROGRAMS COULD RESULT IN UNSAVED DATA.

MODEL

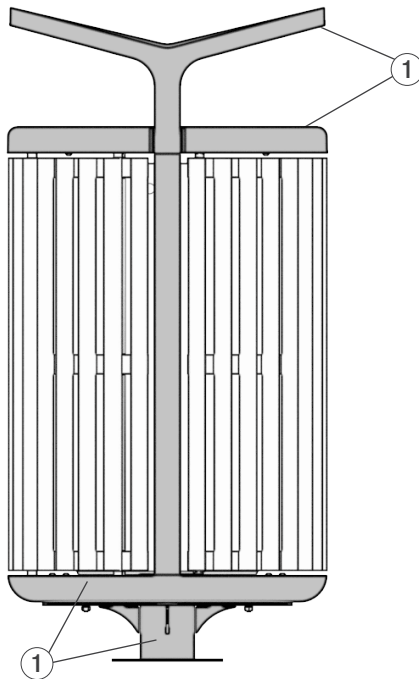
QUANTITY	MODEL	
_____	SLTNO-130C	Tonyo Receptacle, 30-gallon, single-stream, FSC® 100% Cumaru hardwood body/door
_____	SLTNO-130S	Tonyo Receptacle, 30-gallon, single-stream, powdercoated stainless steel body/door
_____	SLTNO-215C	Tonyo Receptacle, 30-gallon, split-stream, FSC® 100% Cumaru hardwood body/door
_____	SLTNO-215S	Tonyo Receptacle, 30-gallon, split-stream, powdercoated stainless steel body/door

FSC License Code: FSC-C004453

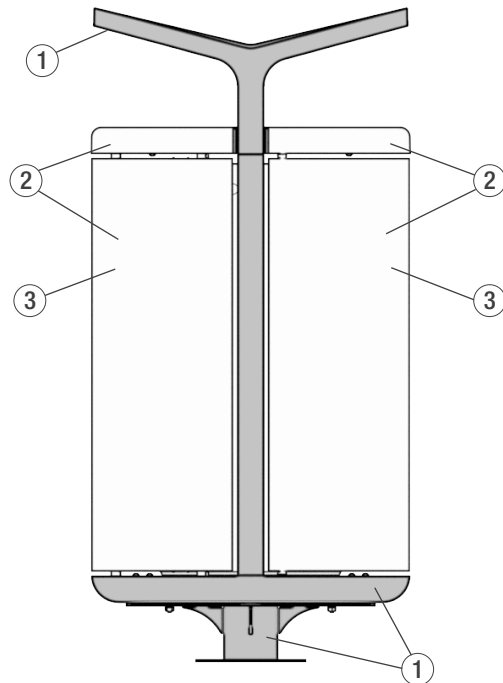
POWDERCOAT OPTIONS

Powdercoat options vary per configuration. See below for visual representation, and choose corresponding colors on Page 2. Note that ① and ② can be the same color, or two different colors for a color-blocking effect. Note: Due to the inherent nature of metal castings, gloss powdercoats are not offered for cast components. Perforations ③ are optional for stainless steel body/door models and can also be selected on page 2.

**TONYO RECEPTACLE, 30-GALLON,
FSC® 100% CUMARU HARDWOOD BODY/DOOR,
SURFACE-MOUNTED**



**TONYO RECEPTACLE, 30-GALLON,
STAINLESS STEEL BODY/DOOR,
SURFACE-MOUNTED**



Powdercoat Color Options
<i>Please select one option below and write in specified color.</i>
① Lid, Sidebars and Base
<input type="checkbox"/> Standard Texture from F+S Powdercoat Color Chart _____
<input type="checkbox"/> Custom RAL Powdercoat Color <i>(subject to upcharge)</i> _____
② Stainless Steel Body/Door (when specified)
<input type="checkbox"/> Standard Texture from F+S Powdercoat Color Chart _____
<input type="checkbox"/> Custom RAL Powdercoat Color <i>(subject to upcharge)</i> _____

③ Stainless Steel Body/Door Perforation Pattern Options
<i>Please select one option below.</i>
<input type="checkbox"/> No perforation
<input type="checkbox"/> Notch perforation
<input type="checkbox"/> Plait perforation
<input type="checkbox"/> Terra perforation
<input type="checkbox"/> Warp perforation

INSTRUCTIONAL GRAPHICS

Instructional graphics are optional. Options vary per receptacle configuration and generally consist of multiple graphic elements that incorporate color, waste stream symbols and/or text that indicate the use for each opening.

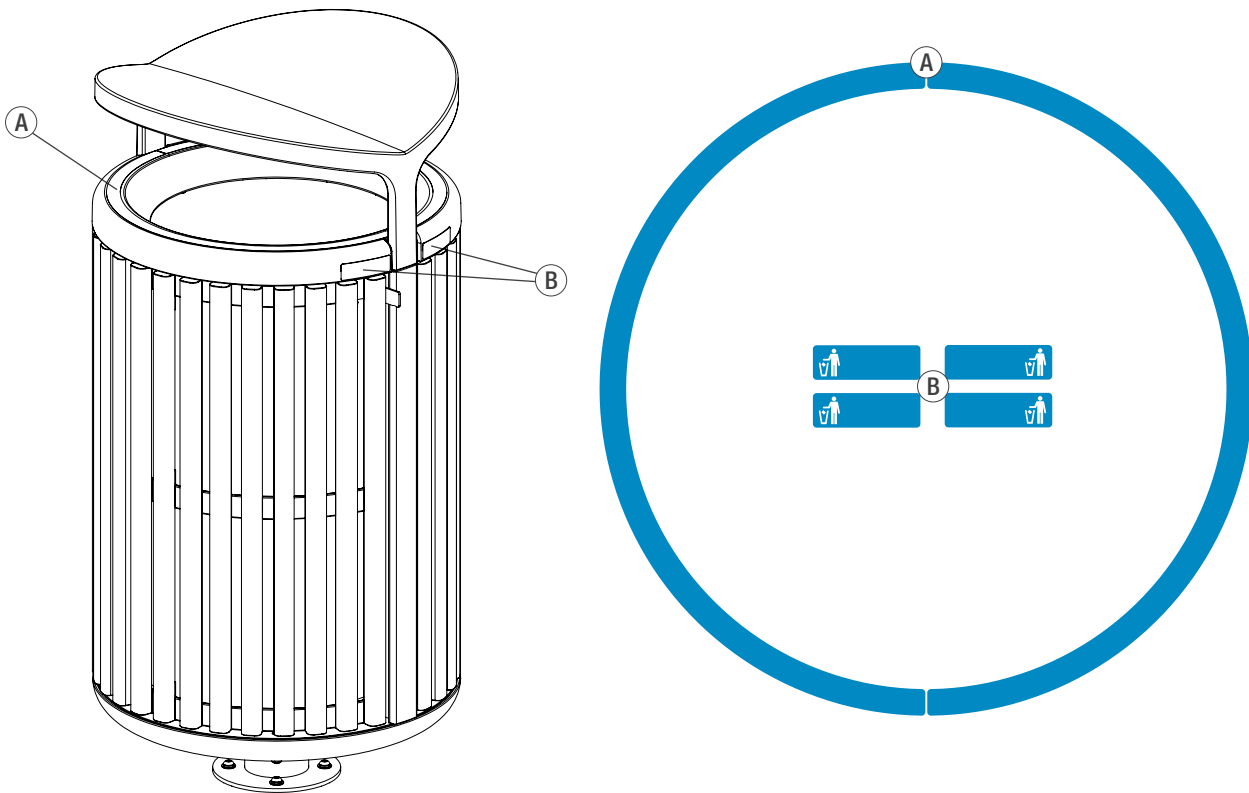
Include Instructional Graphics?

Yes (please make selections from pages 3-6)

No (skip pages 3-6 and go directly to page 7)

Graphic Options - Single-Stream, FSC® 100% Cumaru Body/Door, Surface-mount

Please select a background color for top-of-lid Graphic A and lid Graphic B. Also select a waste stream symbol for lid Graphic B. NOTE: All symbols are white.



Graphic A&B Background Color

- green
- blue
- black

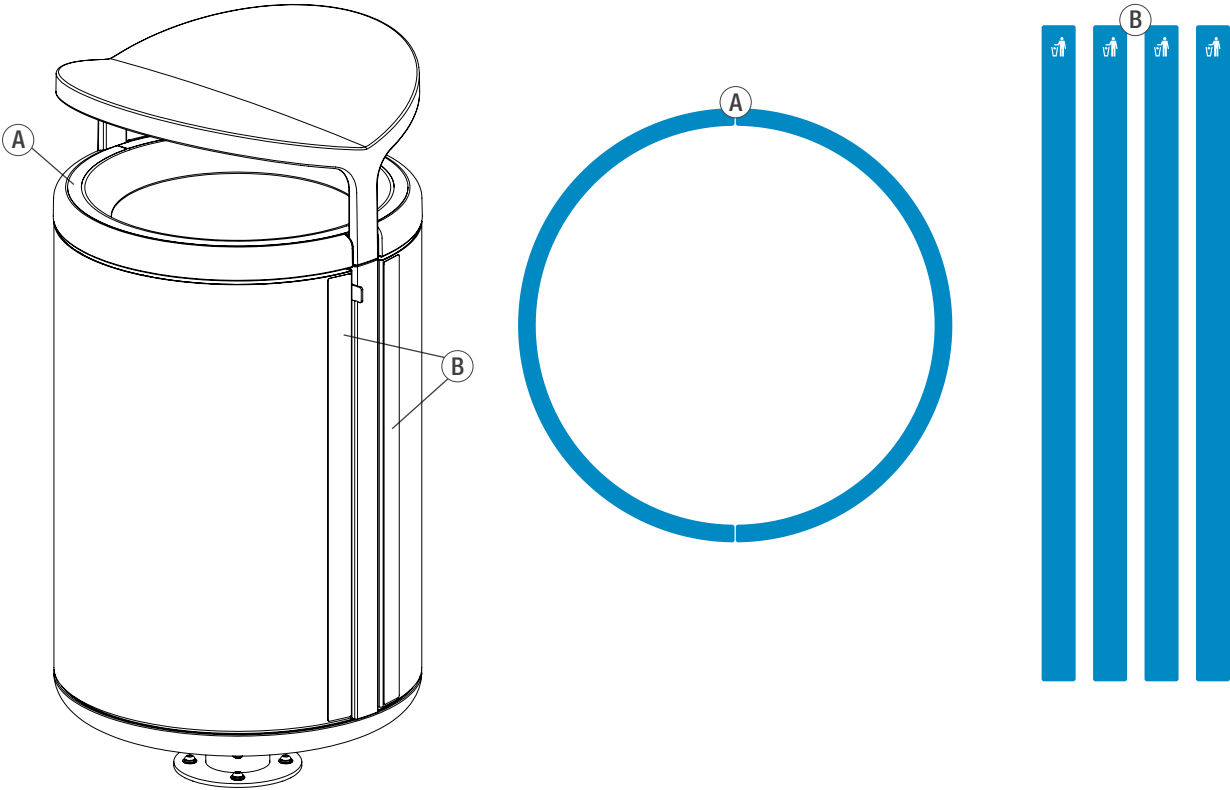
Graphic B* Symbol

- | | | | |
|--------------------------|--------------------------|--------------------------|--------------------------|
| <input type="checkbox"/> | <input type="checkbox"/> | <input type="checkbox"/> | <input type="checkbox"/> |
| <input type="checkbox"/> | <input type="checkbox"/> | <input type="checkbox"/> | |

**Graphics are mirrored on opposite side of receptacle.*

Graphic Options - Single-Stream, Stainless Steel Body/Door, Surface-mount

Please select a background color for top-of-lid Graphic A and door Graphic B. Also select a waste stream symbol for door Graphic B. **NOTE:** All symbols are white.



Graphic A&B Background Color

- green
- blue
- black

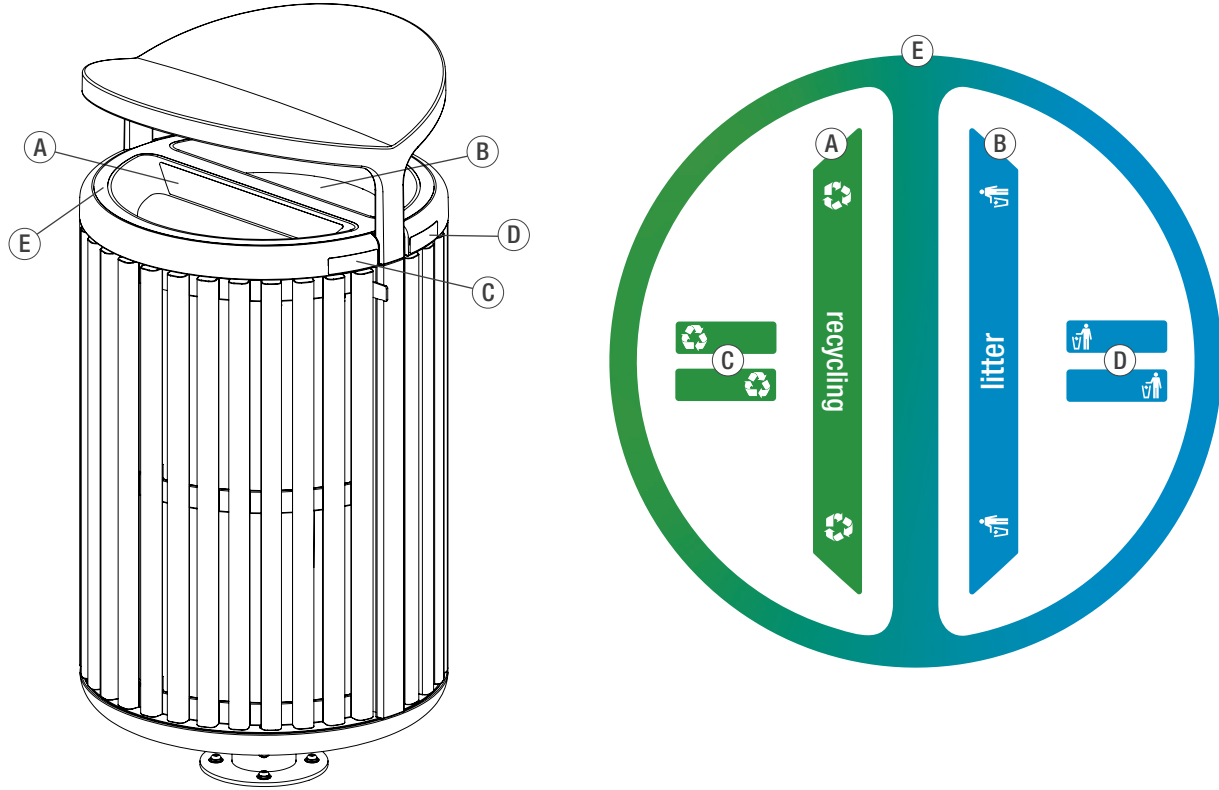
Graphic B* Symbol

- | | | | |
|--------------------------|--------------------------|--------------------------|--------------------------|
| <input type="checkbox"/> | <input type="checkbox"/> | <input type="checkbox"/> | <input type="checkbox"/> |
| <input type="checkbox"/> | <input type="checkbox"/> | <input type="checkbox"/> | |

* Graphics are mirrored on opposite side of receptacle.

Graphic Options - Split-Stream, FSC 100% Cumaru Body/Door, Surface-mount

Please select a message and background color for lid Graphic A and lid Graphic C (Graphic A message = symbol + lettering; Graphic C message = symbol only). Also select a message and background color for lid Graphic B and lid Graphic D (Graphic B message = symbol + lettering; Graphic D message = symbol only). Graphic A/C & B/D background colors fade together to create top-of-lid Graphic E. **NOTE:** All letters and symbols are white.



Graphic A Message

- landfill
- recycling
- glass
- paper
- litter
- bottles & cans
- aluminum
- compost

Graphics A&C Background Color*

- green
- blue
- black

Graphic B Message

- landfill
- recycling
- glass
- paper
- litter
- bottles & cans
- aluminum
- compost

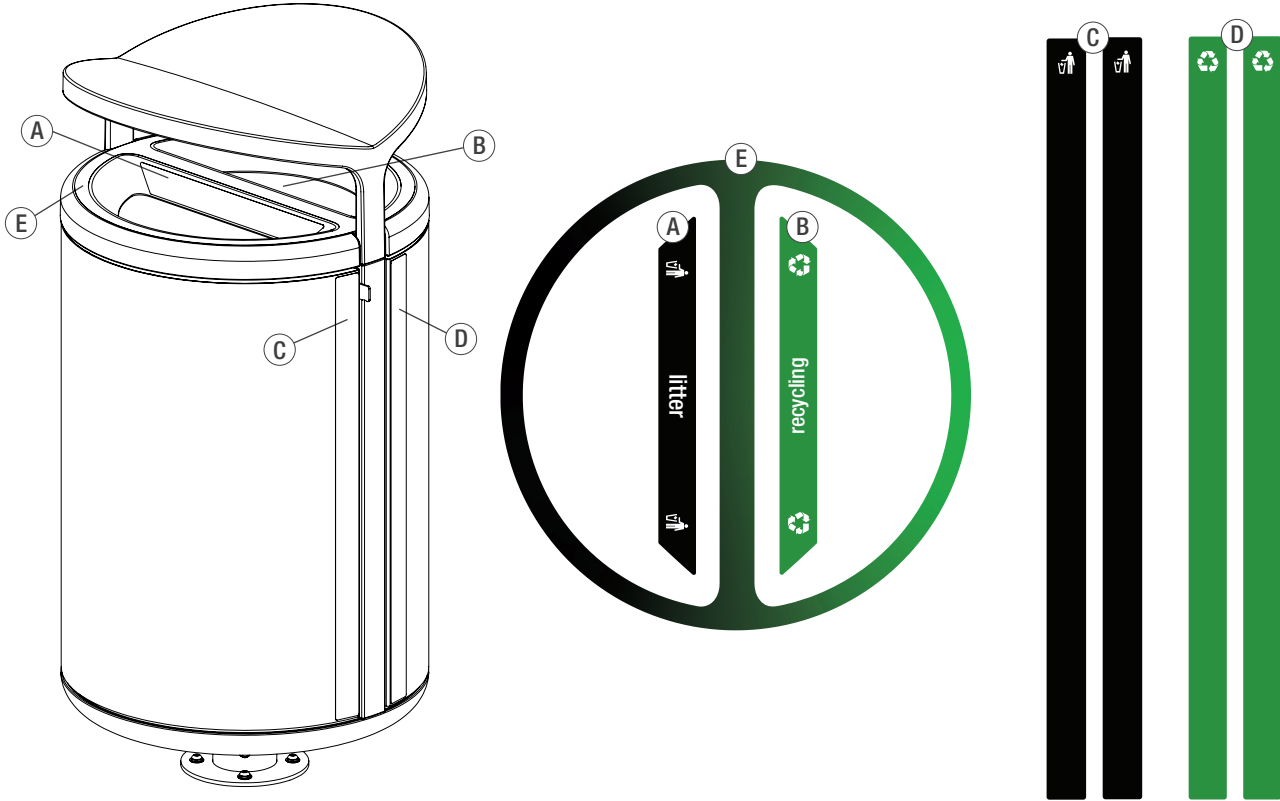
Graphics B&D Background Color*

- green
- blue
- black

*Color applies to corresponding half of Graphic E.

Graphic Options - Split-Stream, Stainless Steel Body/Door, Surface-mount

Please select a message and background color for lid Graphic A and door Graphic C (Graphic A message = symbol + lettering; Graphic C message = symbol only). Also select a message and background color for lid Graphic B and door Graphic D (Graphic B message = symbol + lettering; Graphic D message = symbol only). Graphic A/C & B/D background colors fade together to create top-of-lid Graphic E. **NOTE:** All letters and symbols are white.



Graphic A&C Message

- landfill
- recycling
- glass
- paper
- litter
- bottles & cans
- aluminum
- compost

Graphics A&C Background Color*

- green
- blue
- black

Graphic B&D Message

- landfill
- recycling
- glass
- paper
- litter
- bottles & cans
- aluminum
- compost

Graphics B&D Background Color*

- green
- blue
- black

*Color applies to corresponding half of Graphic E. Graphics C and D are mirrored on opposite side of receptacle.

Latch Options

Please select **one** option below.

- Standard lift latch
- Limited-access latch

Mounting Options

- Cast-in-place
- Surface Mount*
 - Add F+S stainless steel mounting hardware kit*
 - Do not include F+S mounting hardware kit

**Hardware is required for surface mount litter receptacles. Mounting kits can be purchased from F+S for an additional charge.*

NOTES _____

Please send completed forms to sales@forms-surfaces.com or contact us at **800.451.0410** with any questions.