

PROJECT NAME: \_\_\_\_\_

DATE: \_\_\_\_\_

JOB LOCATION: \_\_\_\_\_

COMPANY: \_\_\_\_\_

SPECIFIER: \_\_\_\_\_

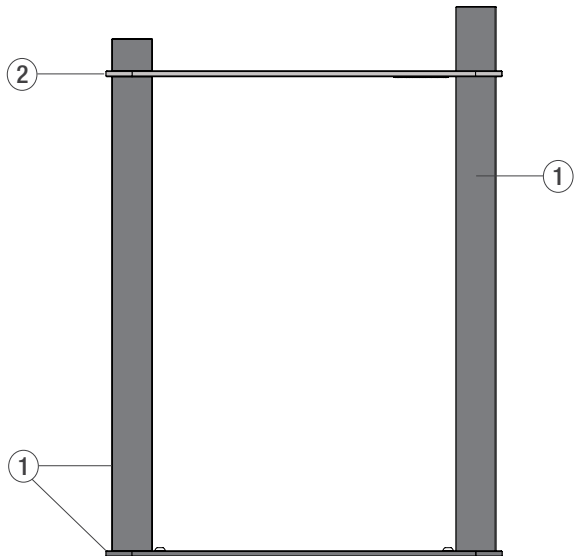
PLEASE USE ADOBE READER OR ADOBE ACROBAT TO FILL OUT AND SAVE FORM. USING OTHER PROGRAMS COULD RESULT IN UNSAVED DATA.

MODEL

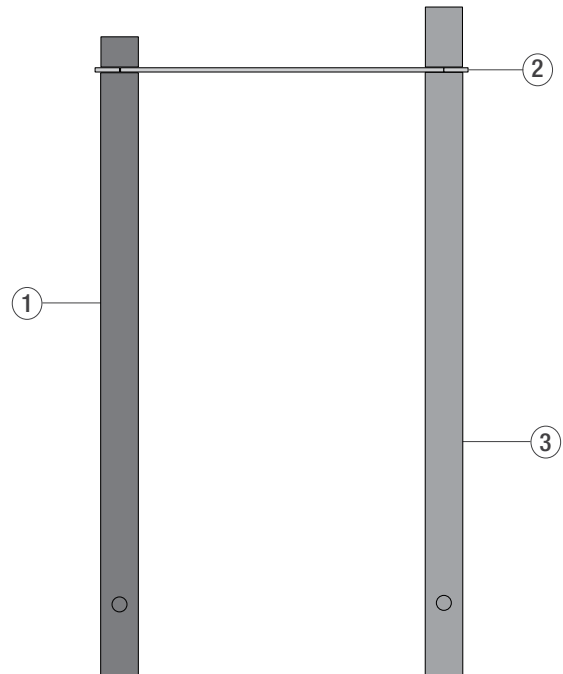
QUANTITY	MODEL	
_____	SKELE-SM	Eleven Bike Rack, surface mount
_____	SKELE-CIP	Eleven Bike Rack, cast-in-place

OPTIONS

**ELEVEN BIKE RACK, SURFACE MOUNT**



**ELEVEN BIKE RACK, CAST-IN-PLACE**



**Finish Options: Surface Mount**

Please select **one** option below for each component. If powdercoat is selected, write in specified color.

**① Short Tube, Base Plate & Tall Tube**  
 Stainless Steel  
 Satin Finish  
 Standard Texture from F+S Powdercoat Color Chart  
 \_\_\_\_\_  
 Custom RAL Powdercoat Color (subject to upcharge)  
 \_\_\_\_\_

**② Top Plate**  
 Stainless Steel  
 Satin Finish with Polished Edge  
 Standard Texture from F+S Powdercoat Color Chart  
 \_\_\_\_\_  
 Custom RAL Powdercoat Color (subject to upcharge)  
 \_\_\_\_\_

**Finish Options: Cast-in-Place**

Please select **one** option below for each component. If powdercoat is selected, write in specified color.

**① Short Tube**  
 Stainless Steel  
 Satin Finish  
 Standard Texture from F+S Powdercoat Color Chart  
 \_\_\_\_\_  
 Custom RAL Powdercoat Color (subject to upcharge)  
 \_\_\_\_\_

**② Top Plate**  
 Stainless Steel  
 Satin Finish with Polished Edge  
 Standard Texture from F+S Powdercoat Color Chart  
 \_\_\_\_\_  
 Custom RAL Powdercoat Color (subject to upcharge)  
 \_\_\_\_\_

**③ Tall Tube**  
 Stainless Steel  
 Satin Finish  
 Standard Texture from F+S Powdercoat Color Chart  
 \_\_\_\_\_  
 Custom RAL Powdercoat Color (subject to upcharge)  
 \_\_\_\_\_

**Surface Mount Hardware Options**

Add F+S stainless steel mounting hardware kit  
 Do not include F+S mounting hardware kit

*\*Hardware is required for surface mount bike racks. Mounting kits can be purchased from F+S for an additional charge.*

**NOTES** \_\_\_\_\_  
 \_\_\_\_\_  
 \_\_\_\_\_

Please send completed forms to [sales@forms-surfaces.com](mailto:sales@forms-surfaces.com) or contact us at **800.451.0410** with any questions.