

PROJECT NAME: \_\_\_\_\_

DATE: \_\_\_\_\_

JOB LOCATION: \_\_\_\_\_

COMPANY: \_\_\_\_\_

SPECIFIER: \_\_\_\_\_

PLEASE USE ADOBE READER OR ADOBE ACROBAT TO FILL OUT AND SAVE FORM. USING OTHER PROGRAMS COULD RESULT IN UNSAVED DATA.

**MODEL**

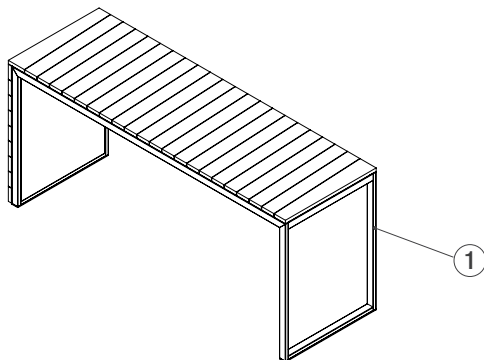
**QUANTITY**

**MODEL**

_____	STDUO-B3092-0-C	Duo Bar Table, FSC® 100% Cumaru hardwood slats
_____	STDUO-B3092-0-RO	Duo Bar Table, FSC® Mix Credit Thermally Modified Red Oak slats
_____	STDUO-T4092-0-C	Duo Table, FSC® 100% Cumaru hardwood slats
_____	STDUO-T4092-0-RO	Duo Table, FSC® Mix Credit Thermally Modified Red Oak slats
_____	STDUO-T4092-N-C	Duo Table Ensemble, FSC® 100% Cumaru hardwood slats
_____	STDUO-T4092-N-RO	Duo Table Ensemble, FSC® Mix Credit Thermally Modified Red Oak slats
_____	STDUO-T4092-NADA-C	Duo Table Ensemble, ADA option, FSC® 100% Cumaru hardwood slats
_____	STDUO-T4092-NADA-RO	Duo Table Ensemble, ADA option, FSC® Mix Credit Thermally Modified Red Oak slats

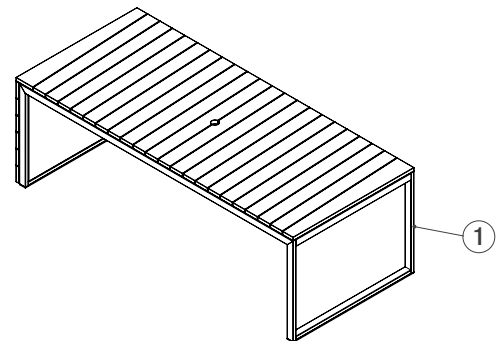
**OPTIONS**

**DUO BAR TABLE**

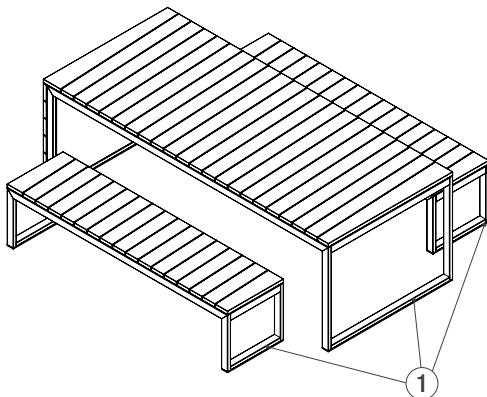


**DUO TABLE**

*Shown with umbrella hole*

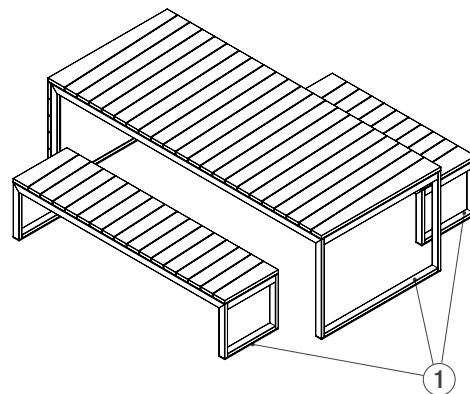


**DUO TABLE ENSEMBLE**



**DUO TABLE ENSEMBLE**

*Shown in ADA option*



**Finish Options**

Please select **one** option below and write in specified color.

① **Table/Bench Frame**

- Polished Stainless Steel
- Standard Texture from F+S Powdercoat Chart \_\_\_\_\_
- Custom RAL Powdercoat Color (subject to upcharge) \_\_\_\_\_

**Umbrella Hole**

Available for all tables. Subject to upcharge.

- Include
- Do not include

**Mounting Options**

- Freestanding
- Surface Mount\*
  - Add F+S stainless steel mounting hardware kit\*
  - Do not include F+S mounting kit

\*Hardware is required for surface mount benches. Mounting kits can be purchased from F+S for an additional charge.

**NOTES**

---

---

---

Please send completed forms to [sales@forms-surfaces.com](mailto:sales@forms-surfaces.com) or contact us at **800.451.0410** with any questions.