

PROJECT NAME: _____

DATE: _____

JOB LOCATION: _____

COMPANY: _____

SPECIFIER: _____

PLEASE USE ADOBE READER OR ADOBE ACROBAT TO FILL OUT AND SAVE FORM. USING OTHER PROGRAMS COULD RESULT IN UNSAVED DATA.

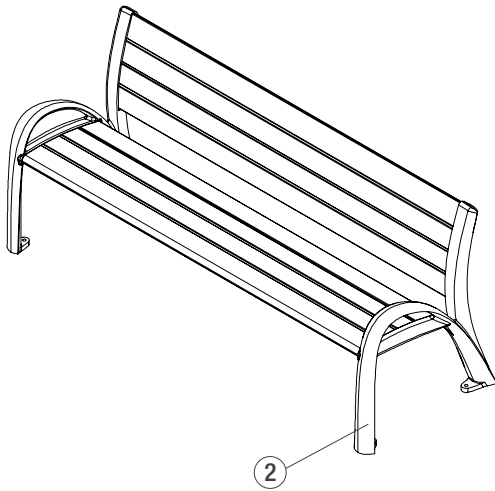
MODEL

QUANTITY	MODEL	
_____	SBCAM-72BA	Camber Bench, 6-foot, extruded aluminum slats
_____	SBCAM-72BW	Camber Bench, 6-foot, FSC® 100% Cumaru hardwood slats
_____	SBCAM-96BA	Camber Bench, 8-foot, extruded aluminum slats

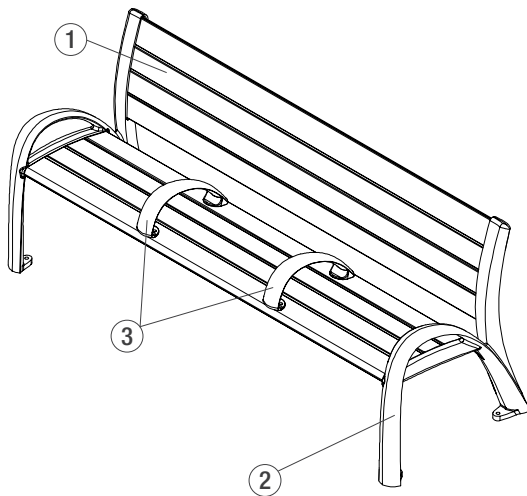
FSC License Code: FSC-C004453

OPTIONS

**CAMBER BENCH, NO INTERMEDIATE ARMRESTS,
FSC® 100% CUMARU HARDWOOD SLATS**



**CAMBER BENCH, TWO INTERMEDIATE ARMRESTS,
EVENLY SPACED, ALUMINUM SLATS**



Bench Design Options

Please select **one** option below and write in specified color.

1 Slat Color Options (for models with aluminum slats)

- Clear Anodized aluminum
- Standard Texture from F+S Powdercoat Color Chart

- Custom RAL Powdercoat Color (subject to upcharge)

2 Frame Powdercoat Color Options

- Standard Texture from F+S Powdercoat Color Chart

- Custom RAL Powdercoat Color (subject to upcharge)

3 Intermediate Armrest Options

Intermediate Armrest(s) Yes No
(subject to upcharge)

Armrest location(s)

- One armrest, centered
- Two armrests, evenly spaced
- Three armrests, evenly spaced (8-foot benches only)
- One armrest, off-center
Please specify location: _____
- Two armrests, off-center
Please specify location: _____
- Three armrests, off-center (8-foot benches only)
Please specify location: _____

Mounting Options

- Freestanding
- Surface Mount*
 - Add F+S stainless steel mounting hardware kit*
 - Do not include F+S mounting kit

**Hardware is required for surface mount benches. Mounting kits can be purchased from F+S for an additional charge.*

NOTES

Please send completed forms to sales@forms-surfaces.com or contact us at 800.451.0410 with any questions.