

PROJECT NAME: _____

DATE: _____

JOB LOCATION: _____

COMPANY: _____

SPECIFIER: _____

PLEASE USE ADOBE READER OR ADOBE ACROBAT TO FILL OUT AND SAVE FORM. USING OTHER PROGRAMS COULD RESULT IN UNSAVED DATA.

MODEL

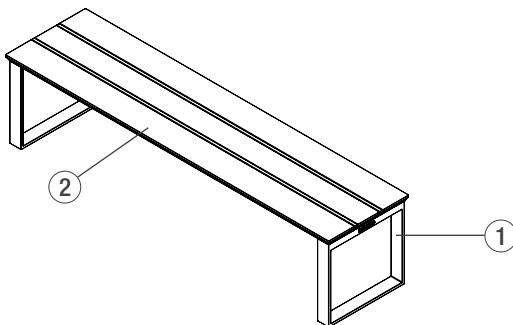
QUANTITY

MODEL

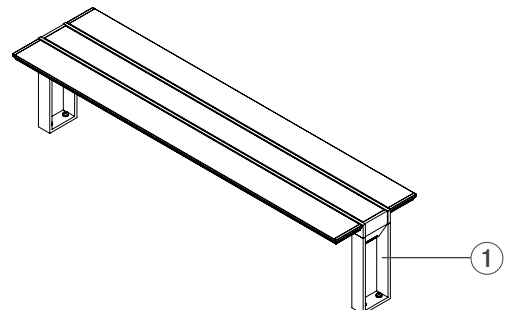
_____	SBAPX-72SA	Apex Bench, standalone, surface mount with narrow legs, aluminum slats
_____	SBAPX-72SC	Apex Bench, standalone, surface mount with narrow legs, FSC® 100% Cumaru hardwood slats
_____	SBAPX-72SQA	Apex Bench, standalone, freestanding with square legs, aluminum slats
_____	SBAPX-72SQC	Apex Bench, standalone, freestanding with square legs, FSC® 100% Cumaru hardwood slats
_____	SBAPX-72AA	Apex Bench, for use with add-on section, surface mount, aluminum slats
_____	SBAPX-72AC	Apex Bench, for use with add-on section, surface mount, FSC® 100% Cumaru hardwood slats
_____	SBAPX-72MA	Apex Bench, Intermediate add-on section, surface mount, aluminum slats
_____	SBAPX-72MC	Apex Bench, Intermediate add-on section, surface mount, FSC® 100% Cumaru hardwood slats
_____	SBAPX-72EA	Apex Bench, End add-on section, surface mount, aluminum slats
_____	SBAPX-72EC	Apex Bench, End add-on section, surface mount, FSC® 100% Cumaru hardwood slats
_____	SBAPX-72A-W	Apex Bench, wall-top mount, aluminum slats
_____	SBAPX-72C-W	Apex Bench, wall-top mount, FSC® 100% Cumaru hardwood slats

OPTIONS

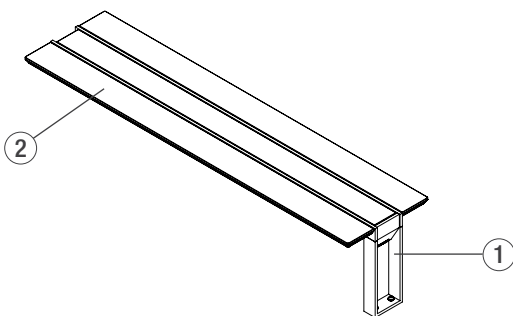
APEX BENCH, STANDALONE, FREESTANDING WITH SQUARE LEGS, ALUMINUM SLATS



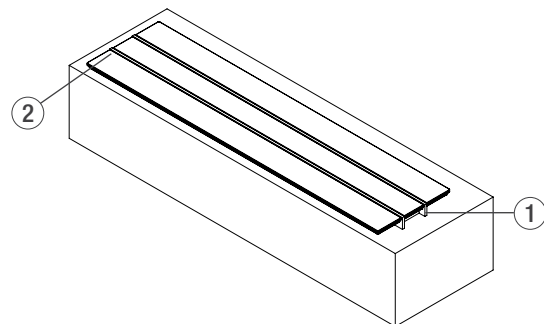
APEX BENCH, STANDALONE, SURFACE MOUNT WITH NARROW LEGS, FSC® 100% CUMARU HARDWOOD SLATS



APEX BENCH, END ADD-ON SECTION, SURFACE MOUNT WITH NARROW LEG, ALUMINUM SLATS



APEX BENCH, WALL-TOP MOUNT, ALUMINUM SLATS



Powdercoat Color Options

Please select **one** option below and write in specified color.

① Bench Frame

- Standard Texture from F+S Powdercoat Chart _____
- Custom RAL Powdercoat Color (subject to upcharge) _____

② Aluminum Slats (when specified)

- Standard Texture from F+S Powdercoat Chart _____
- Custom RAL Powdercoat Color (subject to upcharge) _____

Mounting Options

- Freestanding (square legs only)
- Surface Mount* (square or narrow legs)
 - Add F+S stainless steel mounting hardware kit*
 - Do not include F+S mounting kit

**Hardware is required for surface mount benches. Mounting kits can be purchased from F+S for an additional charge.*

NOTES

Please send completed forms to sales@forms-surfaces.com or contact us at **800.451.0410** with any questions.

FSC License Code: FSC-C004453