



**TRIO™ PEDESTRIAN**

PRODUCT DATA





**Trio Pedestrian Lighting** blends seamlessly with our Trio family of products, a line that also includes bollards, benches, bike racks, and table ensembles. Echoing design themes that span the entire line, Trio Pedestrian Lighting carries the family's open-angled shape, swept detail, and exaggerated triangular profile into a minimalist linear form that integrates beautifully into a wide range of settings.

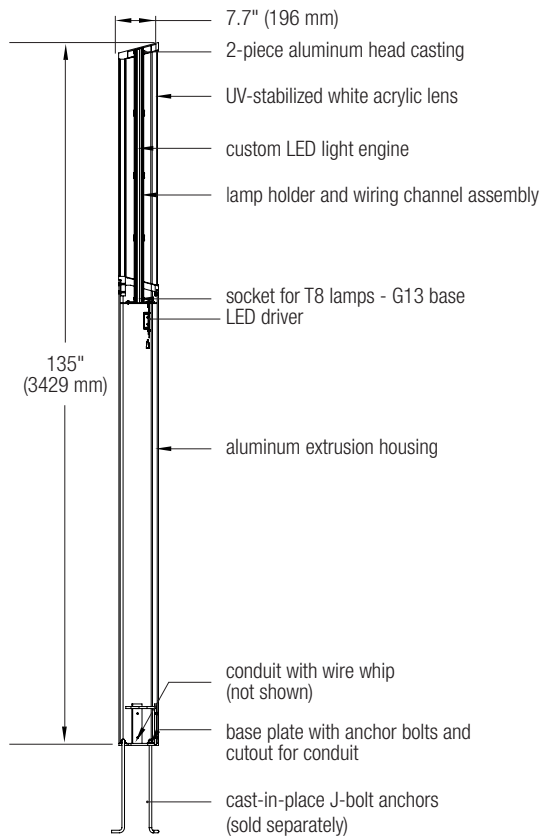
**MATERIAL & CONSTRUCTION DETAILS**

COLUMN	FINISH
<ul style="list-style-type: none"> <li>Column is made from a formed aluminum extrusion.</li> </ul>	<ul style="list-style-type: none"> <li>See the Forms+Surfaces Powdercoat Chart for details. Custom RAL colors are available for an upcharge.</li> <li>Due to the inherent nature of metal castings, gloss powdercoats are not offered for cast components.</li> </ul>
TOP CAP	WEIGHT
<ul style="list-style-type: none"> <li>Cast aluminum cap is attached with recessed security socket cap screws.</li> </ul>	<ul style="list-style-type: none"> <li>73 lbs (33 kg)</li> </ul>

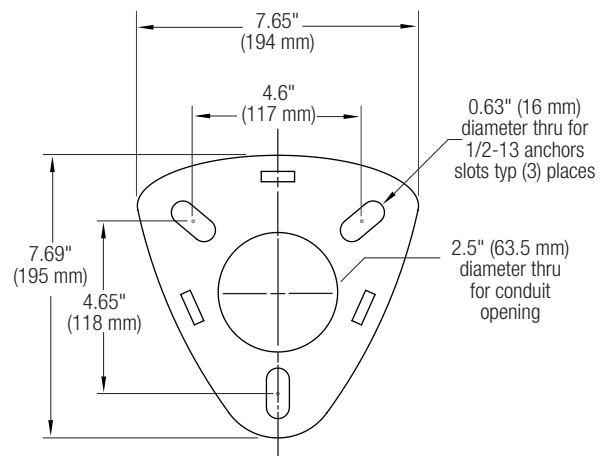
**INSTALLATION & MAINTENANCE**

LED LAMP & DRIVER	INSTALLATION
<ul style="list-style-type: none"> <li>Cree® LEDs in 3000K warm white and 4000K neutral white color temperatures.</li> <li>40W LED driver is IP64-rated.</li> <li>LED driver input power is 120-277 VAC.</li> <li>Driver has forward phase, reverse phase, and 0-10V dimming capabilities.</li> </ul>	<ul style="list-style-type: none"> <li>1/4" (6 mm) thick stainless steel mounting plate with 1/2"-13x18" J-bolt anchors.</li> <li>Installation of a surge protector as part of each units wiring is recommended.</li> <li>Stainless steel mounting hardware sold separately. Template is available upon request.</li> </ul>
MAINTENANCE	
<ul style="list-style-type: none"> <li>Metal surfaces can be cleaned as needed using a soft cloth or brush with warm water and a mild detergent. Avoid abrasive cleaners.</li> </ul>	

**NOMINAL DIMENSIONS**



**BASE PLATE MOUNTING DETAIL**





LAMP DESCRIPTIONS

LAMP	DESCRIPTION	LUMINAIRE LUMENS*	B.U.G. RATING	STARTING TEMPERATURE °C
3000K LED	40W custom LED light engine	3197	B1-U5-G2	-30
4000K LED	40W custom LED light engine	3197	B1-U5-G2	-30

\*Luminaire lumens represents the absolute photometry for the luminaire, and indicates the lumens out of the entire fixture.

**NOTE: Polar candela and isofootcandle plots can be found on the Trio Pedestrian product page on our website.**

CERTIFICATION

- LPTRO-LED is ETL and C-ETL listed for wet locations.

ENVIRONMENTAL CONSIDERATIONS

- Please refer to the Trio Pedestrian Environmental Data Sheet for detailed environmental impact information.
- Trio Pedestrian has high recycled content and is highly recyclable.
- Powdercoat finishes are no- or low-VOC, depending on color.
- Metal components have a long life cycle and are 100% recyclable.
- Low maintenance; easy to disassemble.

MODEL NUMBERS AND DESCRIPTIONS

MODEL	DESCRIPTION
LPTRO-LED	Trio Pedestrian, LED

PRODUCT OPTIONS

The following options are available for an upcharge

Custom RAL powdercoat color	Add stainless steel mounting hardware
-----------------------------	---------------------------------------

**LEAD TIME:** 6 to 8 weeks. Shorter lead times may be available upon request. Please contact us to discuss your specific timing requirements.

**PRICING:** Please contact us at **800.451.0410** or **sales@forms-surfaces.com**. At Forms+Surfaces, we design, manufacture and sell our products directly to you. Our sales team is available to assist you with questions about our products, requests for quotes, and orders. Territory Managers are located worldwide to assist with the front-end specification and quoting process, and our in-house Project Sales Coordinators follow your project through from the time you place an order to shipment.

**TO ORDER SPECIFY:** Quantity, model, powdercoat color, lamp, voltage. Quote/Order Forms are available on our website to lead you through the specification process in a simple checkbox format.