



LUNA™ CABINET PULLS

PRODUCT DATA





LUNA™ CABINET PULLS

PRODUCT DATA

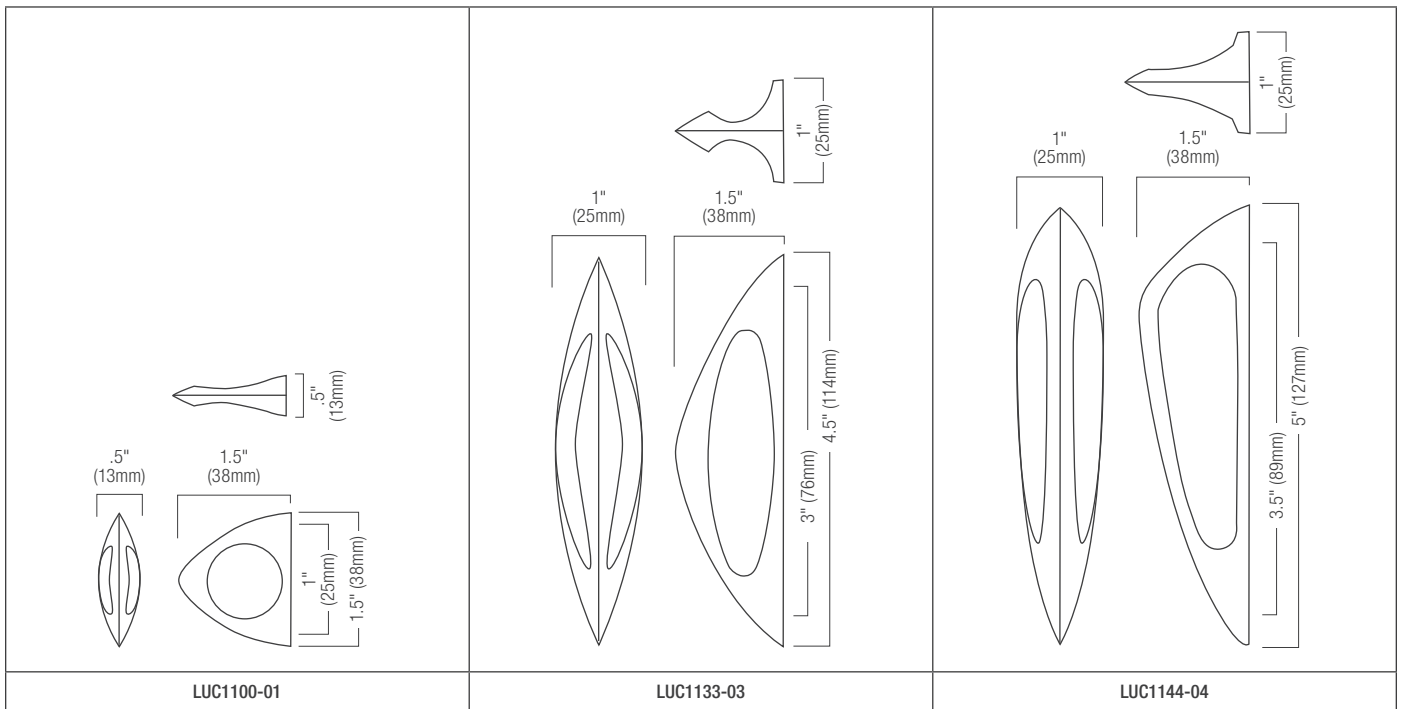
Reminiscent of modernist design, Luna Cabinet Pulls capture the elegance and style of the 1940s and '50s. Shapes are sleek and streamlined and look toward the future. A striking combination of metals and finishes complement the sculptural forms and add a lustrous dimension to each pull.

PRODUCT DETAILS

The following applies to all Luna Cabinet Pull designs shown below.

MATERIAL & FINISH			INSTALLATION	MAINTENANCE
Stainless Steel	US32	Polished Stainless Steel	Luna Cabinet Pulls are designed to be used with 3/4" (19mm) thick cabinet doors or drawers and are installed using 8-32 x 1" long screws (included with order).	Luna Cabinet Pulls are well-suited for interior or exterior use. Regular maintenance will help ensure the lasting beauty of each pull. For more information, please refer to Door Hardware Care & Maintenance found on our website.
	US32D	Satin Stainless Steel		
Bronze	US9	Polished Bronze		
	US10	Satin Bronze		
	US10B	Oil-Rubbed Bronze		

DESIGN OPTIONS



HOW TO SPECIFY

Provide cabinet pull model number, quantity, metal and finish. Refer to the standalone Hardware Price List on our website for list pricing.