



## LEVELc-1000 ELEVATOR INTERIORS

PRODUCT DATA





## LEVELc-1000 ELEVATOR INTERIORS

PRODUCT DATA

**LEVELc Elevator Interiors** comprise a rugged full-panel system optimized for airports, healthcare facilities, parking structures, educational institutions, and other public spaces where maintainable aesthetics and resistance to abuse are primary concerns. Wall panels consist of a decorative face material—Stainless Steel or Fused Metal—bonded to a fire-rated substrate. A z-clip mounting system makes LEVELc-1000 easy to install.

Beyond LEVELc, the F+S Elevator Interiors program gives you unparalleled creative freedom for meeting the aesthetic, performance and budgetary requirements of virtually any environment. Ideal for new or modernization projects, the program includes three distinct families that suit diverse field conditions without sacrificing ease of specification, installation, maintenance, or breadth of material choices. Learn more about the entire program on our website.

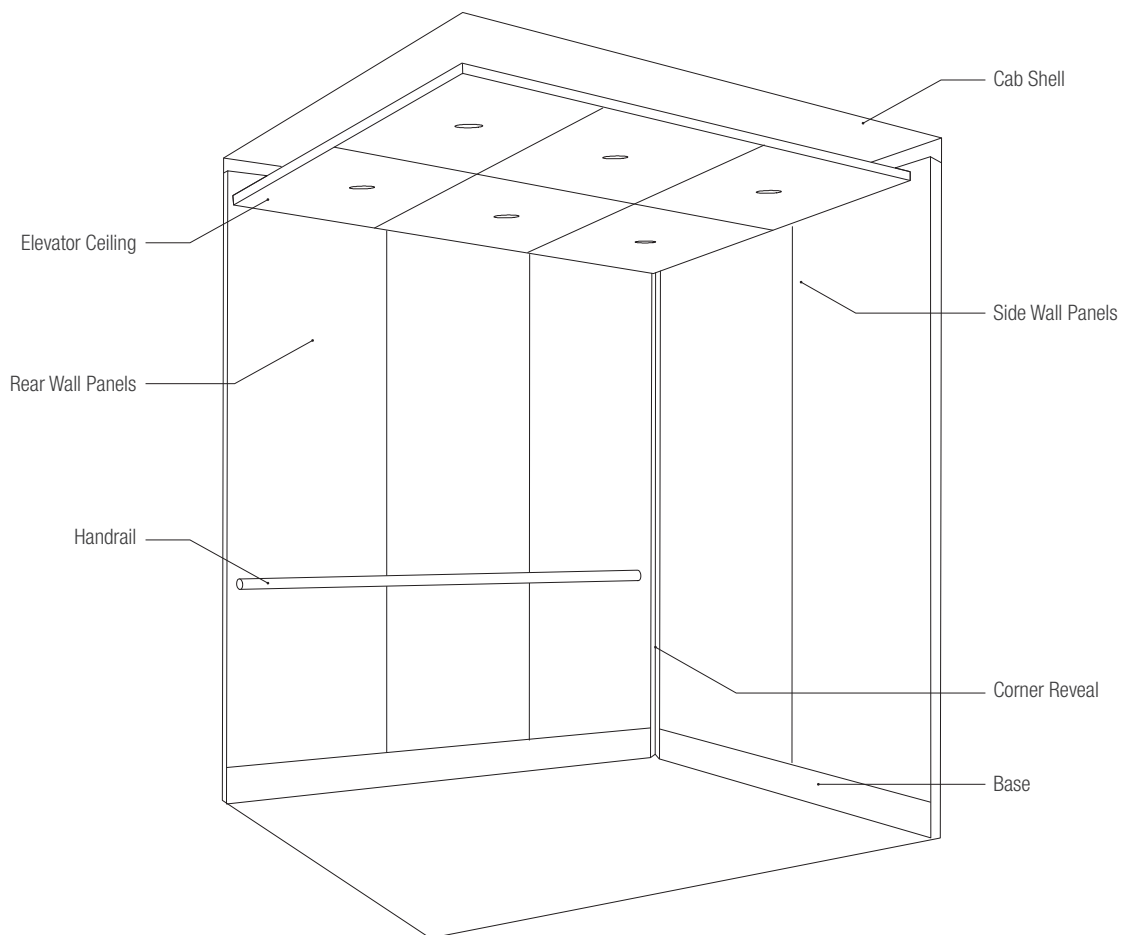
### SYSTEM COMPONENTS

Standard: Wall Panels, Bases, Reveals, Installation Hardware

Optional: Handrails, Crash Rails, Elevator Ceiling with Light Fixtures and Emergency Lighting Power Source

### SYSTEM COMPONENTS MAP

Standard configuration shown.





# LEVELc-1000 ELEVATOR INTERIORS

PRODUCT DATA

## STANDARD MATERIAL OPTIONS

STAINLESS STEEL	FUSED METAL
Stainless Steel in all of our standard finishes can be specified for panel insets. A variety of optional patterns, can also be specified for added visual interest and enhanced functionality. Impression patterns bring dimension to the surface; eco-friendly Eco-Etch® patterns offer standard and custom options. Please refer to the Stainless Steel Product Data Sheet for finish and pattern swatches and additional information.	Fused Metal is Forms+Surfaces' exclusive line of colored stainless steel. Created by fusing titanium alloys to the stainless substrate at the molecular level, Fused Metal provides the durability and low maintenance of stainless steel in a rich range of colors. Please refer to the Fused Metal Product Data Sheet for color, finish, and pattern swatches and additional information.

## MATERIAL OPTIONS PER ELEMENT

LEVELc-1000 wall panels consist of a decorative face material bonded to a fire-rated structural substrate. Wall panel materials draw from our extensive Surfaces palette; all are also available for F+S Elevator Ceilings, as shown below.

	WALL PANELS	F+S ELEVATOR CEILINGS*
STAINLESS STEEL	•	•
FUSED METAL	•	•
THIRD PARTY MATERIALS	Customers sometimes wish to specify their own materials to match lobby walls or other areas on specific projects. This is generally feasible, provided the materials meet certain weight and dimensional requirements. Please call for more information.	

\*Refer to pages 4-5 for more information or to the Elevator Ceilings Product Data Sheet for complete details.

## COMPATIBILITY & WEIGHT

SHELL COMPATIBILITY	WEIGHT INFORMATION
<ul style="list-style-type: none"> <li>LEVELc Elevator Interiors can be specified for elevators of any size, weight capacity, or door configuration. Most interiors are installed in steel elevator shells but can also be supplied with appropriate screws for installation in wood shells.</li> <li>Most elevator shells are found to be out-of-square to some degree. LEVELc wall panels and corner reveals have sufficient tolerances built into them to easily accommodate the vast majority of out-of-square conditions or other dimensional irregularities.</li> </ul>	<ul style="list-style-type: none"> <li>LEVELc-1000 Elevator Interior panels weigh up to approximately 3.3 lbs. per square foot.</li> <li>Ceilings (including lights and structural elements) weigh approximately 2.97 lbs. per square foot.</li> <li>Handrail and crash rail weights vary by series and length.</li> <li>Estimated total weights for customer-specified cab interiors can be provided by Forms+Surfaces once shell dimensions, material selections and other system options are specified.</li> </ul>



# LEVELc-1000 ELEVATOR INTERIORS

PRODUCT DATA

## SYSTEM COMPONENTS

WALL PANELS	
<ul style="list-style-type: none"> <li>LEVELc-1000 panels consist of a decorative face material bonded to a fire-rated substrate. The substrate includes an aluminum backer for enhanced panel stability.</li> <li>Total panel thickness, including attachment system, is a nominal 15/16".</li> </ul>	<p>Panel Face</p> <p>Z-clip to Panel</p> <p>Z-clip to Cab Shell</p> <p>0.94 in (23.8 mm)</p> <p>1.50"</p> <p>3.125"</p>

CORNER REVEALS	
<ul style="list-style-type: none"> <li>90° angled Corner Reveals are supplied for the cab rear corners.</li> <li>Front Corner Reveals are supplied for corners nearest the elevator door.</li> <li>Corner Reveals are available in Clear or Black anodized finishes and installed with pre-applied mounting adhesive.</li> </ul>	<p>CLEAR      BLACK</p>

BASES	
<ul style="list-style-type: none"> <li>A 4" (101.6 mm) high base is fitted between the finished floor and the wall panels.</li> <li>Bases consist of Stainless Steel or Fused Metal decorative faces applied to an extruded aluminum substrate with pre-applied mounting adhesive.</li> </ul>	<p>Panel</p> <p>Base</p>

## HANDRAILS & CRASH RAILS

Handrails and crash rails can be specified for elevator interior back walls and/or side walls. For information on the full range of options, refer to the separate Elevator Handrails & Crash Rails Product Data Sheet.



## LEVELc-1000 ELEVATOR INTERIORS

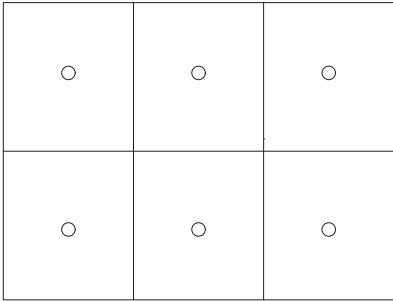
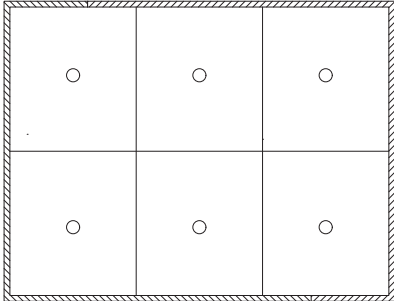
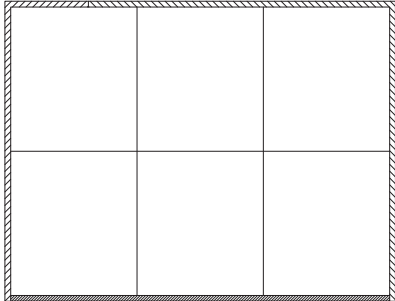
PRODUCT DATA

### ELEVATOR CEILINGS

Our standard elevator ceiling is a six-panel suspended island design with six low-voltage, high-efficiency LED downlights or high-output LED perimeter lighting. In addition, LED downlights can be used in combination with either LED perimeter accent lighting or high-output LED perimeter lighting. Our elevator ceilings can support a maximum of nine downlights, depending on ceiling size. For more information, please see the Elevator Ceilings Product Data Sheet.

CEILING OPTIONS	CEILING INSTALLATION	LIGHTING
<ul style="list-style-type: none"> <li>Our standard elevator ceiling panels consist of Stainless Steel or Fused Metal decorative faces applied to a structural backer with black reveals. Any of our standard Stainless Steel or Fused Metal finishes may be specified for panel faces.</li> <li>The ceiling mounting extrusion is extruded aluminum with a clear anodized finish.</li> </ul>	<ul style="list-style-type: none"> <li>The ceiling uses a side-mount installation system that attaches the ceiling to the upper side walls of the elevator shell. This system makes the ceiling very easy to install and provides a generous range of adjustment to align the ceiling with the wall panels.</li> <li>A top-mount ceiling option that incorporates track-adjustable tie rods is available for large elevators and elevator configurations not conducive to the side-mount standard.</li> <li>A minimum clearance of 8" from the cab shell canopy to the visible ceiling face is necessary for installation.</li> </ul>	<ul style="list-style-type: none"> <li>All lighting systems include a power supply, wire harnessing and an integrated LED dimmer. Lighting systems come pre-wired with a 12 foot lead to allow for mounting to top of cab shell.</li> <li>A dedicated input circuit is required for ceilings that are specified with a lighting option.</li> <li>LED Perimeter lighting will stay illuminated if a single diode fails.</li> </ul>

### ELEVATOR CEILING LIGHTING OPTIONS

LED DOWNLIGHTS ONLY	LED DOWNLIGHTS + PERIMETER LIGHTING	LED PERIMETER LIGHTING ONLY
		
<ul style="list-style-type: none"> <li>Low-voltage, high-efficiency LED downlights</li> </ul>	<ul style="list-style-type: none"> <li>When used with LED downlights, either LED perimeter accent lighting or high-output LED perimeter lighting may be specified.</li> </ul>	<ul style="list-style-type: none"> <li>High-output LED perimeter lighting</li> </ul>

### ELEVATOR CEILING ILLUMINATION\*

Lighting Options	Light Reading in foot candles (fc)		
	At Threshold, on the ground	Center of Cab, on the ground	Center of Cab, 36" above floor
LED Downlights Only	29.8	45.5	62.5
LED Downlights + Perimeter Lighting	37.5	57.7	75.4
High-Output LED Perimeter Only	17.1	17.7	24.3

\*Foot candle readings are dependent on finishes, colors, and/or reflectivity of the surfaces in the cab. The values shown are minimums.



# LEVELc-1000 ELEVATOR INTERIORS

PRODUCT DATA

## EMERGENCY & VENTILATION

<p><b>EMERGENCY LIGHTING</b></p> <p>Emergency lighting is included in the standard elevator ceiling lighting system, unless otherwise specified in writing. The emergency lighting system incorporates an additional power supply with a battery to power the emergency lights in the event of a main power failure. The power supply includes an automatic battery charger, test switch, low battery voltage circuit, and alarm terminals. The emergency lights are integrated into the standard downlight system; any of the downlights, as specified, can act as the emergency light. In ceilings without downlights, a separate emergency lighting system will be located at the front of the cab, unless otherwise specified.</p>	<p><b>EMERGENCY EXIT</b></p> <p>The emergency exit can be placed anywhere in the ceiling as needed to line up with the exit opening in the cab shell canopy. The Design Guide asks you to detail the exact placement and this information will be verified via approval drawings.</p>
<p><b>VENTILATION</b></p> <p>Elevator Interiors are designed to accommodate most standard vent configurations. Unusual or non-standard ventilation requirements should be brought to our attention and detailed in the approval drawings to ensure compliance once material is installed.</p>	<p><b>FIRE RATINGS</b></p> <p>Ceiling panel backer materials and all Stainless Steel and Fused Metal are generally considered to be Class A/I fire-rated for smoke development and flame spread.</p>

## DELIVERY & INSTALLATION

<p><b>DELIVERY</b></p> <p>Wall panels, bases, reveals, handrails and crash rails (if applicable) for each individual cab arrive in a single crate, unless glass panels are required. Ceilings, if specified, are also crated separately. All crates arrive with components neatly organized and includes all the necessary fasteners, adhesives and installation instructions.</p>	<p><b>ELEVATOR INTERIOR INSTALLATION</b></p> <p>Designed for quick installation, LEVELc-1000 uses a system of extruded aluminum mounting clips that come pre-installed on the wall panels. Mating clips are field-attached to the elevator shell interior using the included templates for easy vertical alignment.</p>	<p><b>WALL PANEL REPLACEMENT</b></p> <p>If wall panels are ever damaged due to accident or vandalism, replacement panels can be ordered from Forms+Surfaces.</p>
--	---	--

## CODE COMPLIANCES

Elevator wall panels, bases, handrails, crash rails, and ceilings comply with the following codes and guidelines:

<p>ASME A17.1-2010: Safety Code for Car Enclosures, Car Doors and Gates, and Car Illumination - Section 2.14</p> <ul style="list-style-type: none"> <li>• 2.14.1.2 - Securing of Enclosures</li> <li>• 2.14.1.5 - Top Emergency Exits</li> <li>• 2.14.1.8 - Glass in Elevator Cars</li> <li>• 2.14.2.1 - Material for Car Enclosures, Enclosure Linings, and Floor Coverings</li> <li>• 2.14.2.3 - Ventilation</li> <li>• 2.14.2.4 - Headroom in Elevator Cars</li> <li>• 2.14.7.4 - Protection of Light Bulbs and Tubes</li> </ul>
<p>2001 California Building Code, Chapter 30</p> <ul style="list-style-type: none"> <li>• 3003.4.7 - Car Inside*</li> <li>• 3003.4.12 - Handrails</li> </ul>
<p>Americans with Disabilities Act Accessibility Guidelines (ADAAG)</p> <ul style="list-style-type: none"> <li>• 4.10.9 - Floor Plan of Elevator Cars*</li> </ul>

\*Complies when installed in most common sizes of passenger cabs and service cabs. Purchasing party is responsible for ensuring that finished installation maintains minimum floor dimensions required by ADA guidelines and applicable local codes.



## LEVELc-1000 ELEVATOR INTERIORS

PRODUCT DATA

### RELATED PRODUCTS

LEVELc-2000 ELEVATOR INTERIORS	LEVELc COLUMN SYSTEM	ELEVATOR DOOR SKINS
LEVELc-2000 Elevator Interiors feature a stile, rail and inset design with endless creative possibilities. Please refer to the LEVELc-2000 Elevator Interiors Product Data Sheet for additional information.	The LEVELc Column System is available in same materials and finishes as those offered for LEVELc-1000 Elevator Interiors. Please refer to the LEVELc Column System Product Data Sheet for additional information.	Forms+Surfaces Elevator Door Skins are available in many of the same materials and finishes as those offered for LEVELc-1000 Elevator Interiors. Please refer to our Elevator Doors Product Data Sheets for additional information.
LEVELr ELEVATOR INTERIORS	LEVELe ELEVATOR INTERIORS	ARCHITECTURAL ACCENTS
LEVELr Elevator Interiors unite sophisticated design possibilities, a frameless panel aesthetic, and extensive material, trim, and LED options. Please refer to the LEVELr Elevator Interiors Product Data Sheet for additional information.	LEVELe Elevator Interiors represent a versatile panelized system based on lightweight aluminum framed panels and extensive material options. Please refer to the LEVELe Elevator Interiors Product Data Sheet for additional information.	Coordinating sheet goods are available for headers, jams, returns, transoms and other architectural features. Please refer to our assortment of Surfaces Product Data Sheets for additional information.

### CUSTOM ELEVATOR INTERIORS

If your design requirements go beyond the standard LEVELc configuration, material and finish offerings, customized versions are available for an additional charge. Please call us to discuss your needs.

### LEAD TIME

Standard lead times are approximately 6-8 weeks, however, lead times can vary depending on the specifics of the products involved, the scope of supply and scheduling capacity at time of order approval. Please contact us to discuss your specific timing requirements.

### TECHNICAL SUPPORT & PROJECT MANAGEMENT

Because each project is unique, our knowledgeable support team is ready to help. Our technical sales, engineering, sustainability, and project management professionals regularly assist our clients worldwide. Please contact us at 800.451.0410 or sales@forms-surfaces.com to discuss your project.

### HOW TO SPECIFY

Visit [www.elevatordesignstudio.com](http://www.elevatordesignstudio.com) to configure your elevator interior using the Elevator Design Studio, our interactive online design tool that puts creative control at your fingertips. The intuitive step-by-step format lets you choose an elevator interior configuration, apply materials and finishes from our extensive Surfaces library, view your progress in realistic renderings, and request budget pricing - all with a few simple clicks.