



3RIVERS™ PEDESTRIAN

PRODUCT DATA





3RIVERS™ PEDESTRIAN

PRODUCT DATA

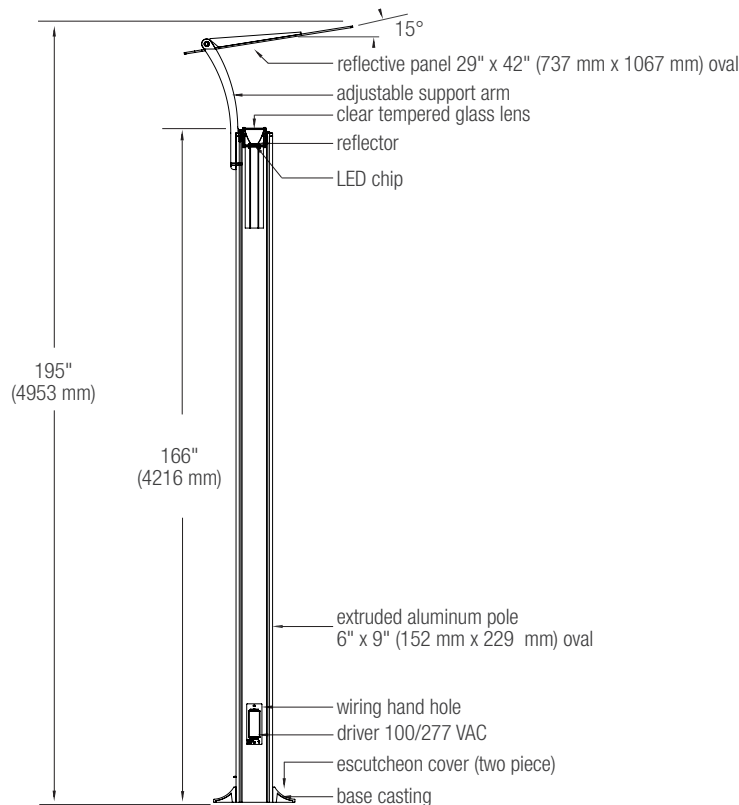
3Rivers is an indirect pedestrian fixture whose beautiful design is both dramatic and understated. The oval cross-section pole and oval-shaped reflective panel gives 3Rivers a clean, streamlined look that's at home in a wide range of architectural and landscape settings. All components are rustproof aluminum. Striking in form and exceptionally durable, 3Rivers is a great lighting option for walkways, parks, malls, campuses, and other public spaces.

MATERIAL & CONSTRUCTION DETAILS

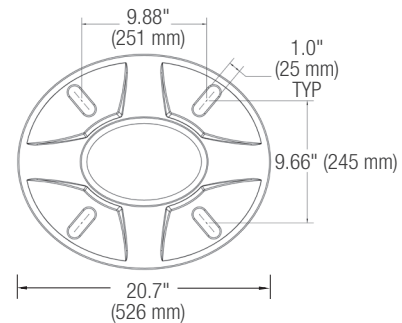
INSTALLATION & MAINTENANCE

POLE	FINISH	LAMP	INSTALLATION
<ul style="list-style-type: none"> 6" x 9" (152 mm x 229 mm) oval-shaped heavy wall extruded aluminum with gasketed hand hole. Overall height of pole is 166" (4216 mm). 	<ul style="list-style-type: none"> See the Forms+Surfaces Powdercoat Chart for details. Custom RAL colors are available for an upcharge. Due to the inherent nature of metal castings, gloss powdercoats are not offered for cast components. 	<ul style="list-style-type: none"> Features advanced LED technology with 50W, 3000K warm white and 4000K neutral white LEDs. LED chip is mounted to an extruded aluminum heat sink. 	<ul style="list-style-type: none"> Surface mount with 0.75" thick structural aluminum base plate with cast aluminum base cover. Installation of a surge protector as part of each units wiring is recommended. Stainless steel mounting hardware sold separately. Template is available upon request.
REFLECTIVE PANEL	WEIGHT	DRIVER	MAINTENANCE
<ul style="list-style-type: none"> 29" x 42" (737 mm x 1067 mm) 1/2" (13 mm) thick oval-shaped aluminum with integral drip edge. Bottom surface is finished in white for maximum reflectivity. Panel is supported by adjustable cast aluminum arm (standard angle is 15° above horizontal). 	<ul style="list-style-type: none"> 216 lbs (98 kg) 	<ul style="list-style-type: none"> LED driver input power is 100/277 VAC. LED driver certifications include: IP66 & NEMA6 (waterproof) enclosure, and Class 2 rated output (UL8750) 	<ul style="list-style-type: none"> Metal surfaces can be cleaned as needed using a soft cloth or brush with warm water and a mild detergent. Avoid abrasive cleaners.

NOMINAL DIMENSIONS



BASE PLATE MOUNTING DETAIL



T 800.451.0410 | www.forms-surfaces.com

FORMS+SURFACES®

© 2021 Forms+Surfaces® | All dimensions are nominal. Specifications and pricing subject to change without notice. For the most current version of this document, please refer to our website at www.forms-surfaces.com.



3RIVERS™ PEDESTRIAN

PRODUCT DATA

LAMP DESCRIPTIONS

LAMP	DESCRIPTION	COLOR TEMPERATURE	LUMINAIRE LUMENS*	B.U.G. RATING	STARTING TEMPERATURE °C
LED 3000K	50W LED chip	3000K	2392	B1-U2-G1	-30
LED 4000K	50W LED chip	4000K	2705	B1-U3-G1	-30

*Luminaire lumens represents the absolute photometry for the luminaire, and indicates the lumens out of the entire fixture.

NOTE: Polar candela and isofootcandle plots can be found on the Light Column Pedestrian product page on our website.

CERTIFICATION

- UL and C-UL listed for wet locations.
- ETL and C-ETL listed for wet locations.

ENVIRONMENTAL CONSIDERATIONS

- Please refer to the 3Rivers Pedestrian Environmental Data Sheet for detailed environmental impact information.
- 3Rivers Pedestrian has a high recycled content and is highly recyclable.
- Powdercoat finishes are no- or low-VOC, depending on color.
- Low maintenance.

MODEL NUMBERS AND DESCRIPTIONS

MODEL	DESCRIPTION
LPRIV-LED	3Rivers Pedestrian, LED

PRODUCT OPTIONS

The following options are available for an upcharge

Add stainless steel mounting hardware
Custom RAL powdercoat color

LEAD TIME: 6 to 8 weeks. Shorter lead times may be available upon request. Please contact us to discuss your specific timing requirements.

PRICING: Please contact us at **800.451.0410** or **sales@forms-surfaces.com**. At Forms+Surfaces, we design, manufacture and sell our products directly to you. Our sales team is available to assist you with questions about our products, requests for quotes, and orders. Territory Managers are located worldwide to assist with the front-end specification and quoting process, and our in-house Project Sales Coordinators follow your project through from the time you place an order to shipment.

TO ORDER SPECIFY: Quantity, model, powdercoat color, lamp, voltage. Quote/Order Forms are available on our website to lead you through the specification process in a simple checkbox format.