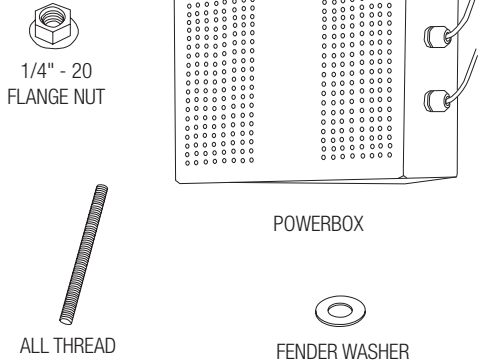


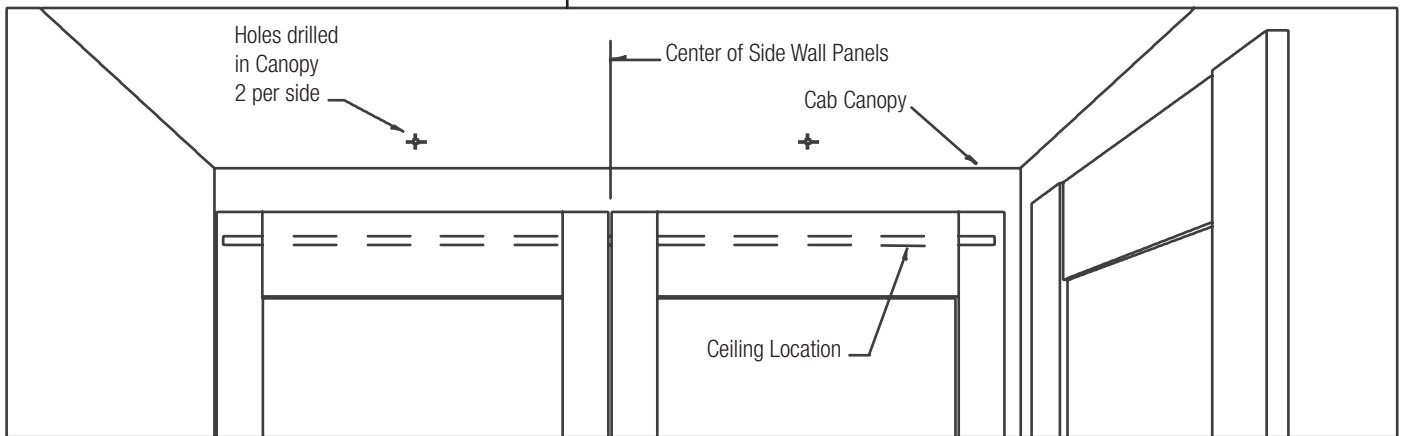
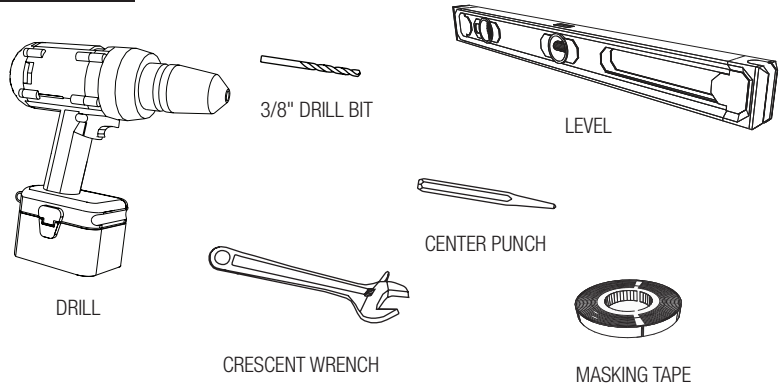
# ELEVATOR CEILINGS

## TOP MOUNT INSTALLATION INSTRUCTIONS

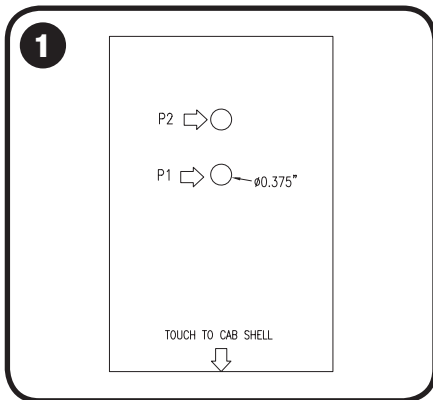
### INCLUDED



### TOOLS NEEDED

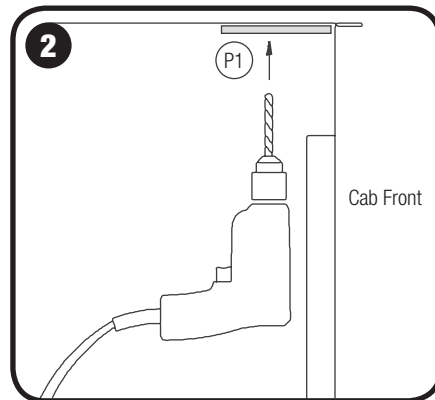


### STEP BY STEP



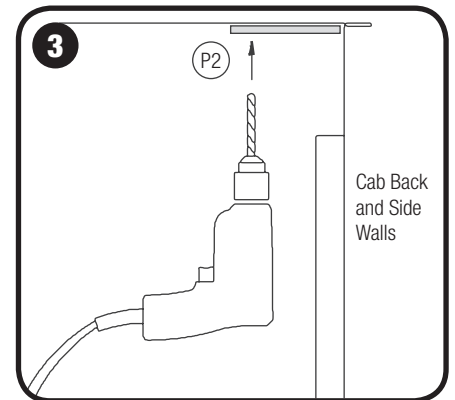
#### Review provided template.

- Use arrow to correctly align the provided template along the cab shell.



#### Drill front mounting hole.

- Center the provided template at the front of the cab with the arrow touching the cab shell.
- Use position P1 on the template to drill one 3/8" diameter hole in the cab canopy.

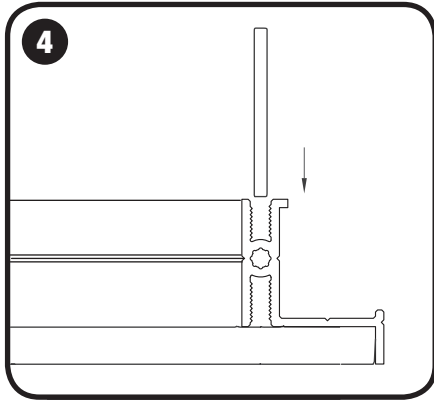


#### Drill back and side mounting holes.

- Center the provided template at the back of the cab with the arrow touching the cab shell.
- Use position P2 on the template to drill one 3/8" diameter hole in the cab canopy.
- Repeat step for both sides of the cab.

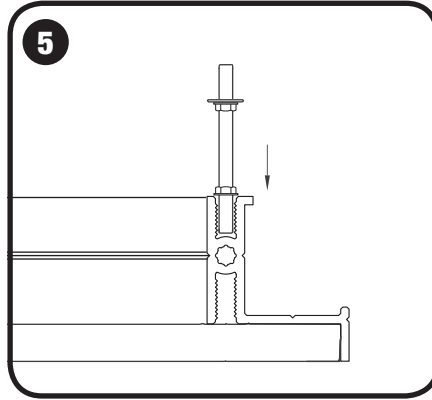
# ELEVATOR CEILINGS

## TOP MOUNT INSTALLATION INSTRUCTIONS



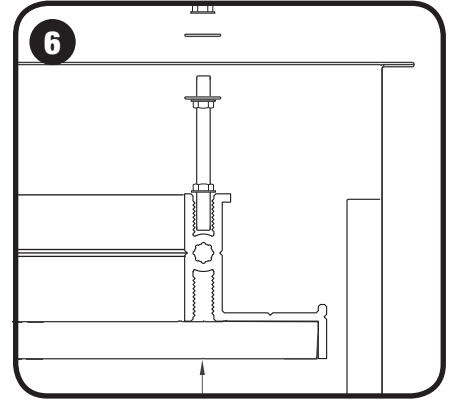
### Attach All Thread Rods to Ceiling.

- Attach 1/4"-20 All Thread Rods to ceiling with hardware provided.



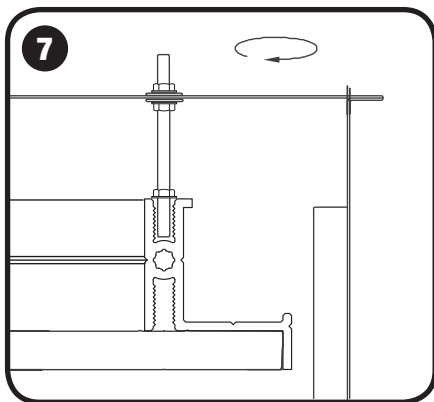
### Tighten All Thread Rods.

- Tighten all thread rod to extrusion as shown
- Attach 1/4" nut to All Thread Rod to meet top of extrusion.
- Attach 1/4" Nut and Washer to top of All Thread Rod.



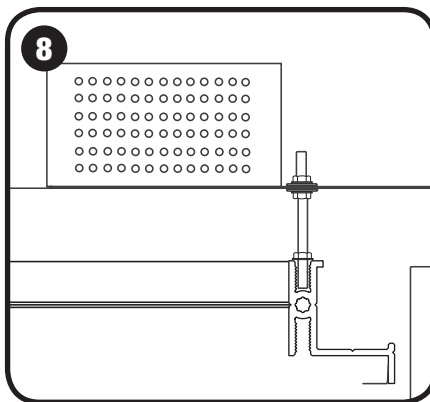
### Lift and position Ceiling.

- Lift ceiling to mate with 1/4" washer and nut on top of cab canopy.



### Secure Ceiling.

- Tighten 1/4" nut below cab canopy and on top of cab canopy securely.



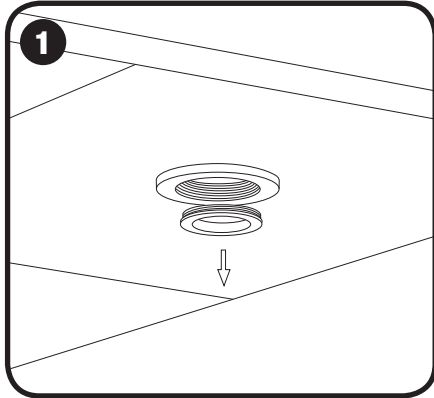
### Mount Powerbox.

- Mount the Powerbox on top of the cab canopy.

# ELEVATOR CEILINGS

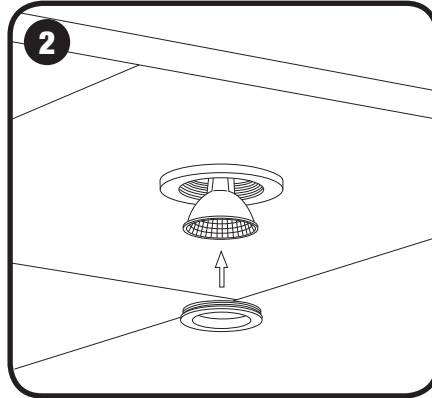
TOP MOUNT INSTALLATION INSTRUCTIONS

## BULB REPLACEMENT



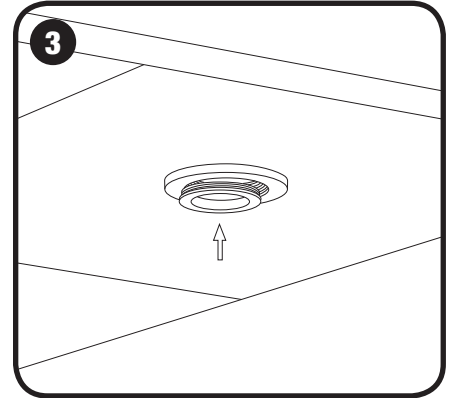
### Remove the housing cover.

- Unscrew the housing cover from the housing.



### Replace Downlight.

- Insert LED MR16 Downlight securely into the ceiling housing.



### Reattach the housing cover.

- Reattach the housing cover to the housing.