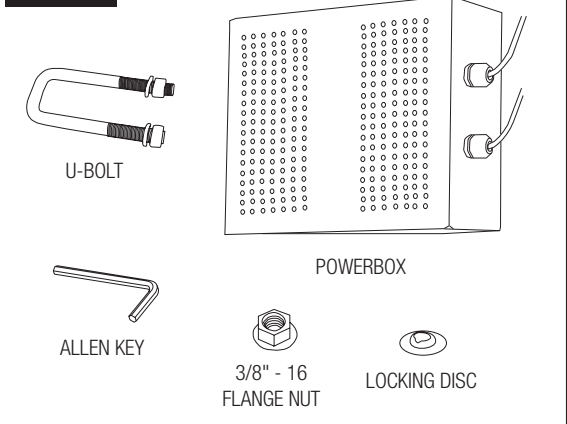
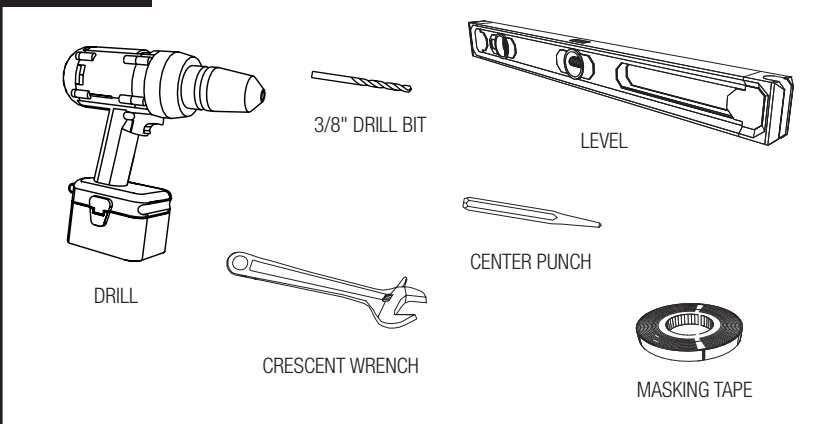
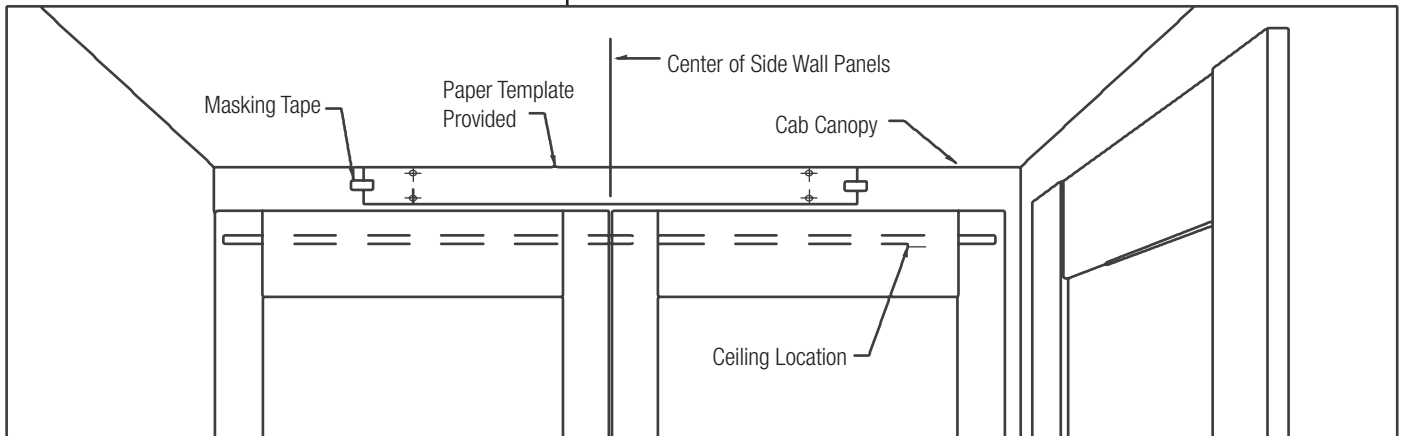


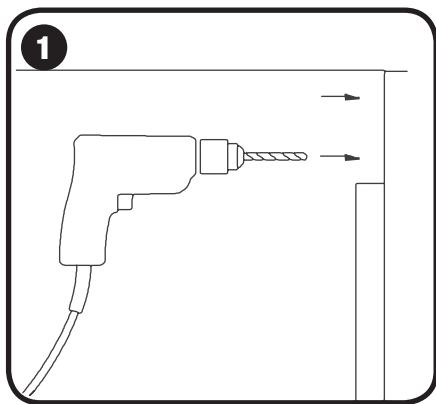
ELEVATOR CEILINGS

SIDE MOUNT INSTALLATION INSTRUCTIONS

INCLUDED	TOOLS NEEDED
 <p>U-BOLT</p> <p>POWERBOX</p> <p>ALLEN KEY</p> <p>3/8" - 16 FLANGE NUT</p> <p>LOCKING DISC</p>	 <p>DRILL</p> <p>3/8" DRILL BIT</p> <p>LEVEL</p> <p>CRESCENT WRENCH</p> <p>CENTER PUNCH</p> <p>MASKING TAPE</p>

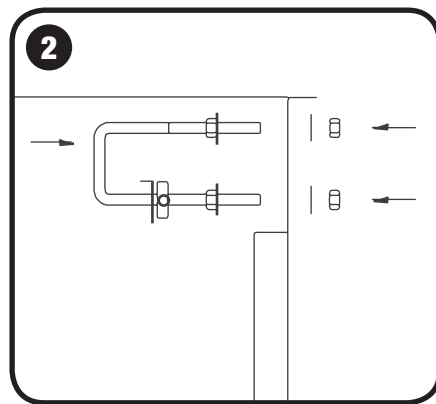


STEP BY STEP



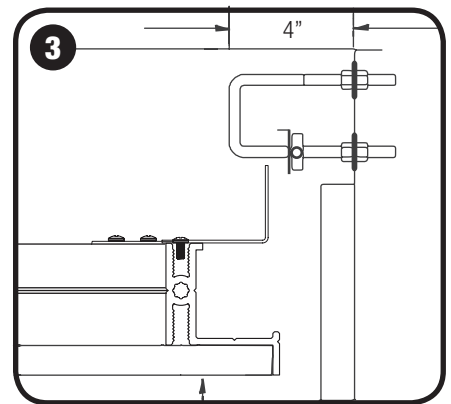
1 Mark and drill holes.

- Center and level the provided Paper Template on cab wall. Using Center Punch, mark holes as indicated on template. Drill eight 3/8" diameter holes into cab shell where marked with Center Punch.



2 Attach U-Bolts.

- Attach U-Bolts using provided retainer clip, washers and 3/8" - 16 Flange Nuts.

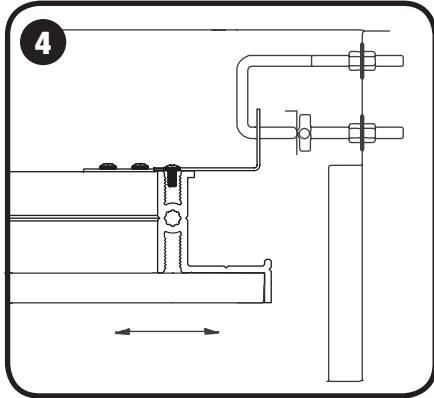


3 Lift and hang Ceiling.

- Lift ceiling, engaging U-Bolts into hanging clip on ceiling.

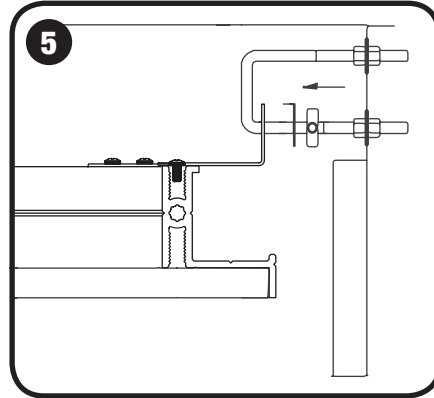
ELEVATOR CEILINGS

SIDE MOUNT INSTALLATION INSTRUCTIONS



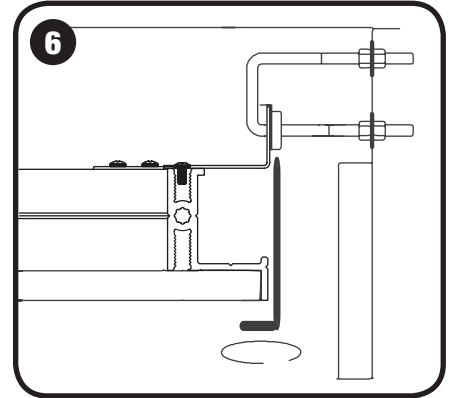
Center Ceiling.

- Slide ceiling to center between wall panels.



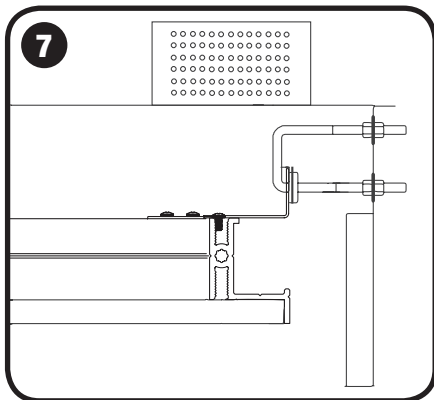
Secure Ceiling position.

- Slide retainer and Locking Disk against bracket.



Lock Ceiling into place.

- Tighten set screw in Locking Disk with provided Allen Key.



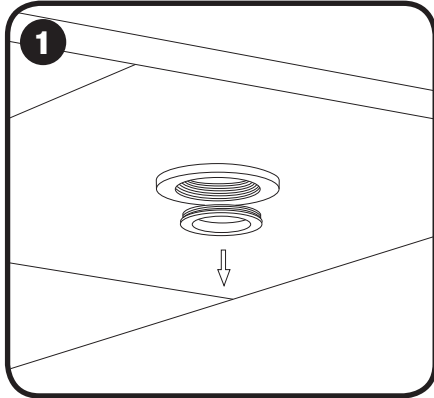
Mount Powerbox.

- Mount the Powerbox on top of the cab canopy.

ELEVATOR CEILING

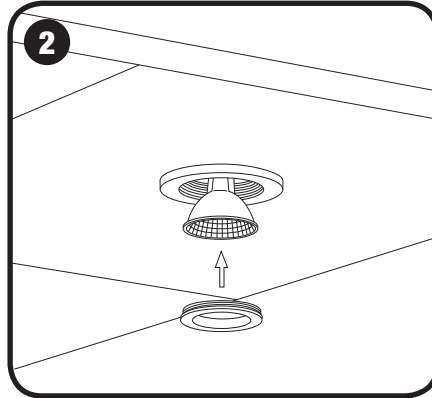
SIDE MOUNT INSTALLATION INSTRUCTIONS

BULB REPLACEMENT



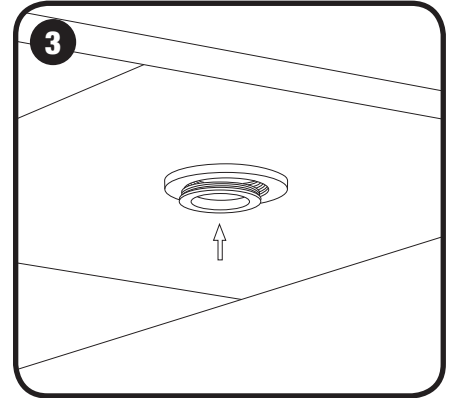
Remove the housing cover.

- Unscrew the housing cover from the housing.



Replace Downlight.

- Insert LED MR16 Downlight securely into the ceiling housing.



Reattach the housing cover.

- Reattach the housing cover to the housing.