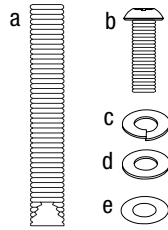
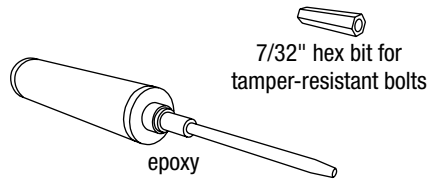


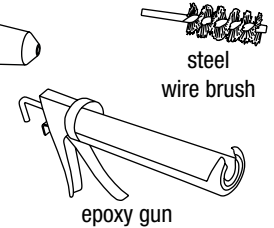
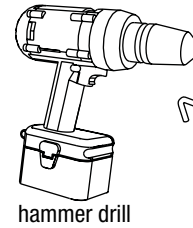
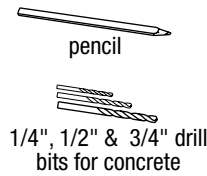
# TONYO™ RECEPTACLE

## 36-GALLON SURFACE-MOUNT INSTALLATION INSTRUCTIONS

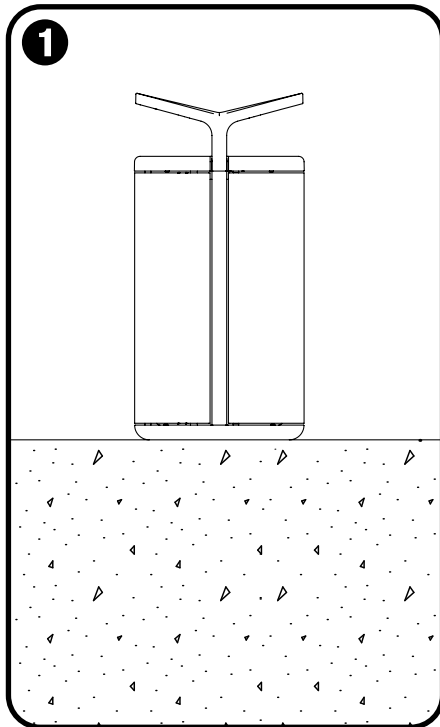
### MOUNTING KIT (SOLD SEPARATELY)



### TOOLS NEEDED

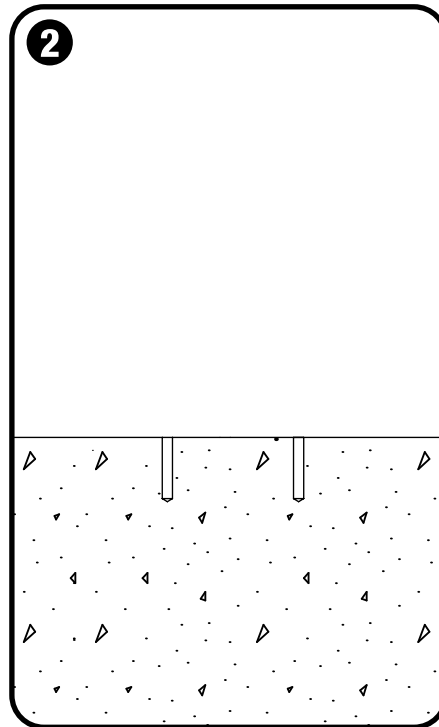


### STEP BY STEP FOR ALL 36-GALLON SURFACE-MOUNT TONYO RECEPTACLES



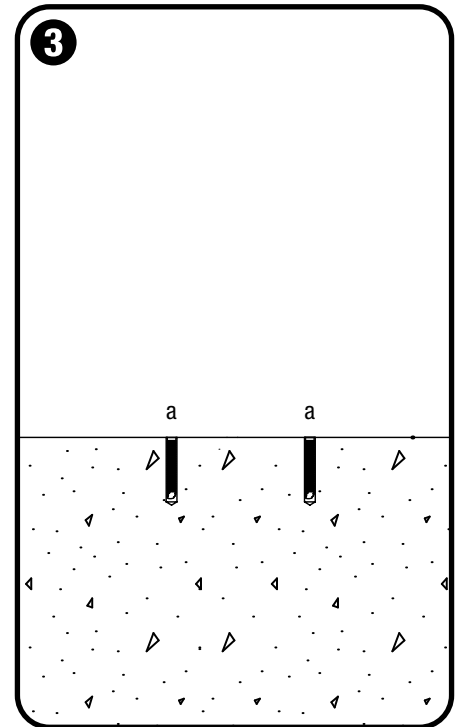
#### Mark hole locations

- Place the receptacle in desired location. Mark center of each hole location (four total) with a pencil. Mounting holes are located on the receptacle's base.



#### Drill holes

- Use hammer drill to drill 4.5" deep x 3/4" diameter anchor holes at each marked location using a 3/4" drill bit suitable for concrete drilling.
- NOTE: Forms+Surfaces recommends starting holes with 1/4" diameter drill bit followed by 1/2" and finally 3/4" for maximum accuracy.



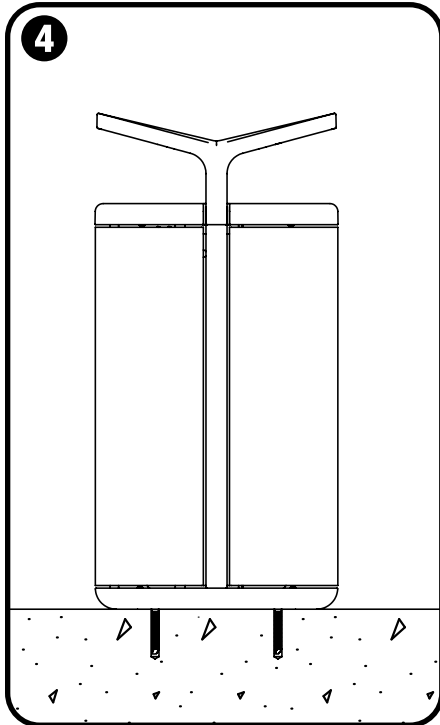
#### Fill holes & insert anchors

- Use compressed air and steel wire brush to clean each anchor hole in accordance with epoxy instructions.
- Use epoxy in epoxy gun to fill each anchor hole 5/8" of the hole depth in accordance with epoxy instructions.
- Insert 3/8"-13 x 4-1/4" epoxy anchor (a) into each anchor hole so anchor top is flush with ground. Allow proper curing time according to cure schedule on epoxy instructions before moving on to Step 4.

# TONYO™ RECEPTACLE

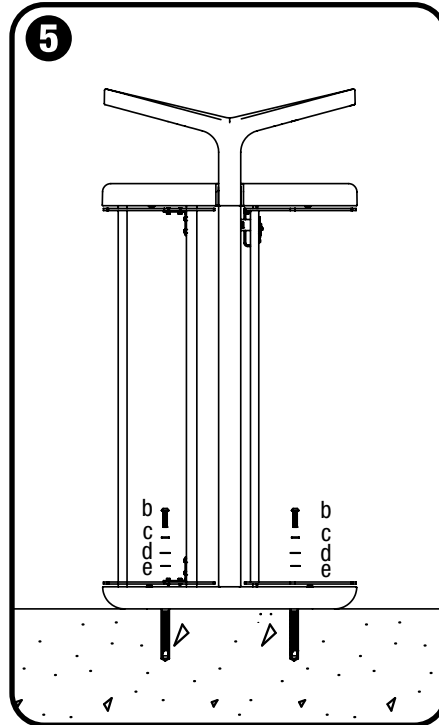
36-GALLON SURFACE-MOUNT INSTALLATION INSTRUCTIONS

## STEP BY STEP FOR ALL 36-GALLON SURFACE-MOUNT TONYO RECEPTACLES



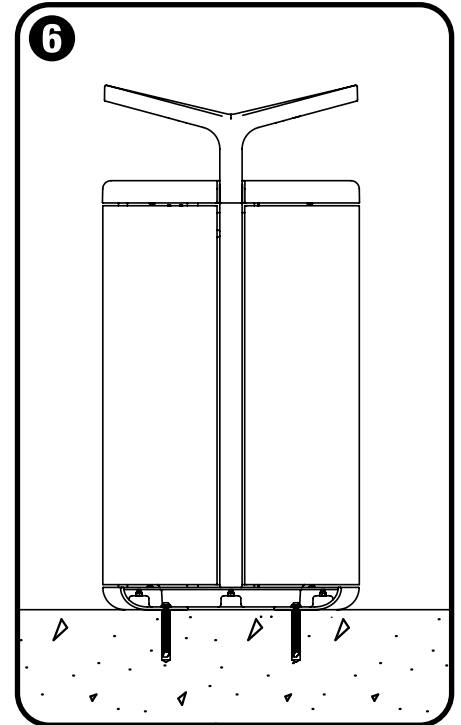
### Position receptacle

- Position receptacle so that mounting holes line up with anchors.



### Attach receptacle (door and body hidden)

- Slide 3/8" stainless steel lock washer (c), 3/8" stainless steel flat washer (d), and 3/8" nylon flat washer (e) onto each 3/8"-13 x 3" tamper-resistant button head cap bolt (b).
- Insert bolts into mounting holes in the receptacle's base casting and thread into anchors using 7/32" hex bit for tamper-resistant bolts.



### Tighten bolts (base cut away)

- Tighten bolts until snug.