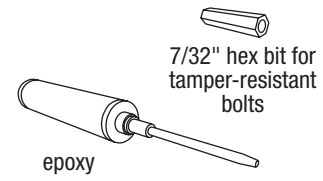
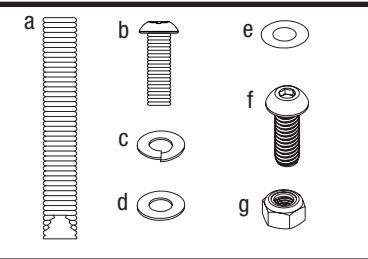
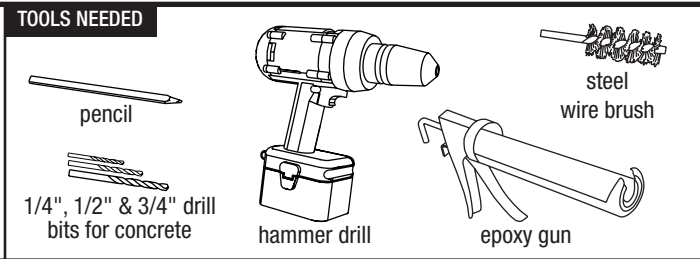
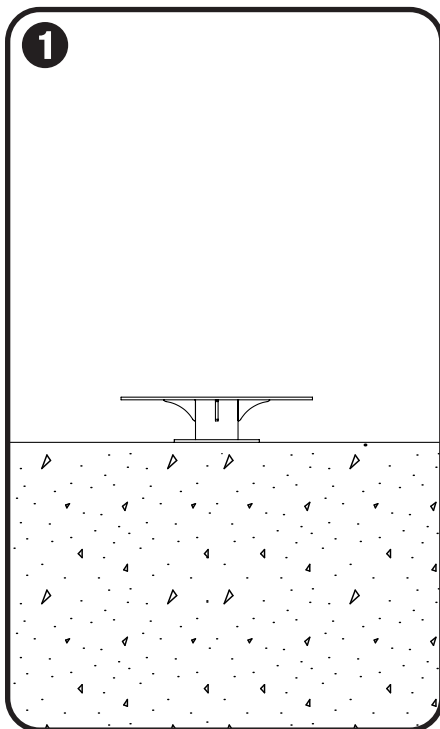


TONYO™ RECEPTACLE

30-GALLON SURFACE-MOUNT INSTALLATION INSTRUCTIONS

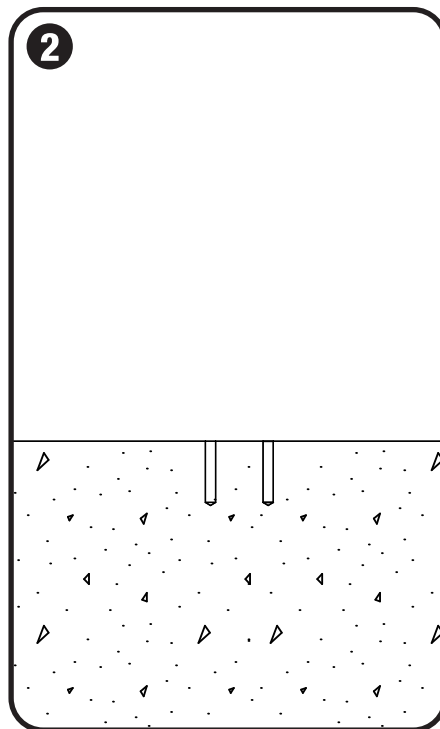
<p>MOUNTING KIT (SOLD SEPARATELY)</p>  <p>7/32" hex bit for tamper-resistant bolts</p> <p>epoxy</p>	 <p>a: epoxy anchor b: tamper-resistant bolt c: washer d: washer e: washer f: nut g: nut</p>	<p>TOOLS NEEDED</p>  <p>pencil</p> <p>1/4", 1/2" & 3/4" drill bits for concrete</p> <p>hammer drill</p> <p>steel wire brush</p> <p>epoxy gun</p>
---	---	---

STEP BY STEP FOR ALL 30-GALLON SURFACE-MOUNT TONYO RECEPTACLES



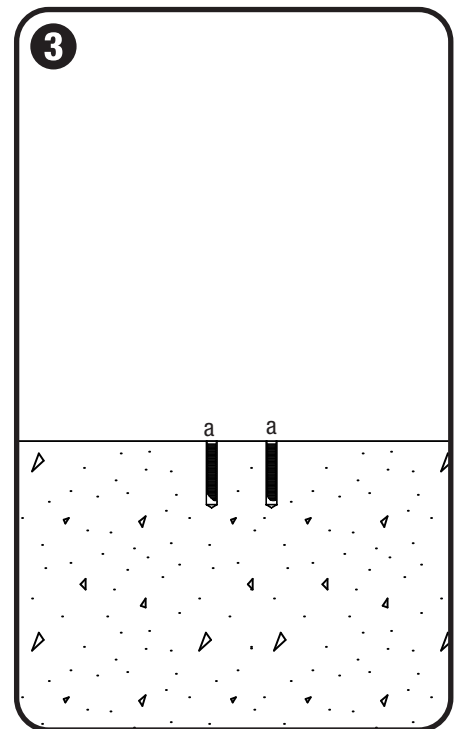
1 Mark hole locations

- Place the mount assembly in desired location. Mark center of each hole location (four total) with a pencil. Mounting holes are located on the smaller circular plate.



2 Drill holes

- Use hammer drill to drill 4.5" deep x 3/4" diameter anchor holes at each marked location using a 3/4" drill bit suitable for concrete drilling.
- NOTE: Forms+Surfaces recommends starting holes with 1/4" diameter drill bit followed by 1/2" and finally 3/4" for maximum accuracy.



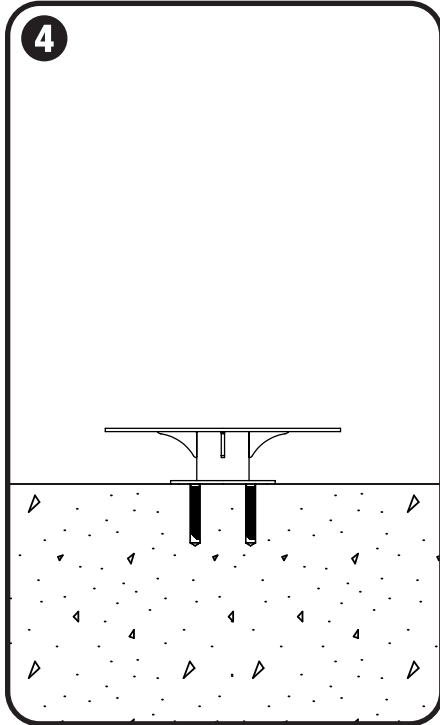
3 Fill holes and insert anchors

- Use compressed air and steel wire brush to clean each anchor hole in accordance with epoxy instructions.
- Use epoxy in epoxy gun to fill each anchor hole 5/8" of the hole depth in accordance with epoxy instructions.
- Insert 3/8"-13 x 4-1/4" epoxy anchor (a) into each anchor hole so anchor top is flush with ground. Allow proper curing time according to cure schedule on epoxy instructions before moving on to Step 4.

TONYO™ RECEPTACLE

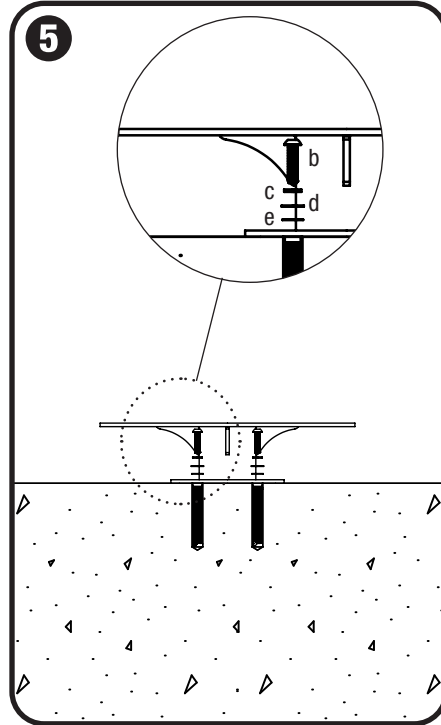
30-GALLON SURFACE-MOUNT INSTALLATION INSTRUCTIONS

STEP BY STEP FOR ALL 30-GALLON SURFACE-MOUNT TONYO RECEPTACLES



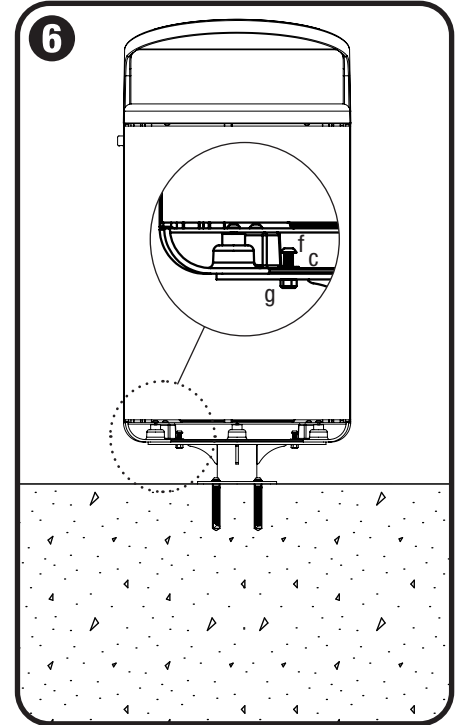
Position mount assembly

- Position mount assembly so that mounting holes line up with anchors.



Attach mount assembly

- Slide 3/8" stainless steel lock washer (c), 3/8" stainless steel flat washer (d), and 3/8" nylon flat washer (e) onto each 3/8"-16 x 1.5" tamper-resistant button head cap bolt (b).
- Insert bolts into mounting holes in the mount assembly's base and thread into anchors using 7/32" hex bit for tamper-resistant bolts. Tighten bolts until snug.



Attach receptacle to mount assembly

- Slide 3/8" stainless steel flat washer (c) onto each 3/8"-16 x 1" button head cap bolt (f) and slide through the through holes on the base of the receptacle.
- Place receptacle on mount assembly. Line up the four bolts with the through holes in the mount assembly.
- Fasten 3/8"-16 stainless steel locknut (g) onto ends of bolts. Tighten until snug.