







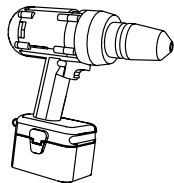



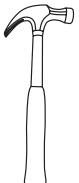
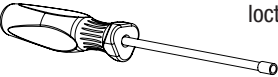

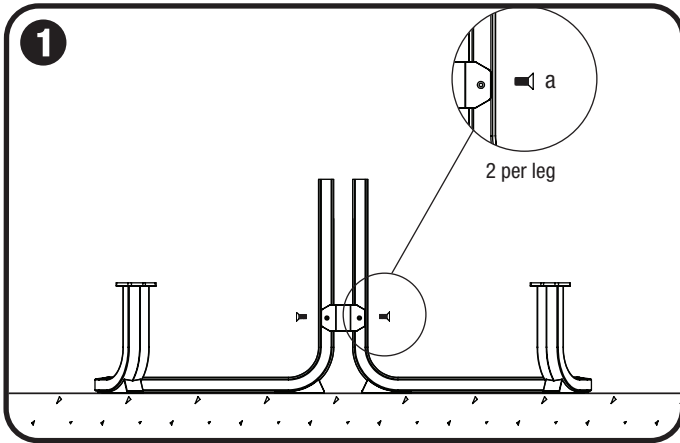


# TANGENT™ TABLE ENSEMBLE

SURFACE MOUNT INSTALLATION INSTRUCTIONS

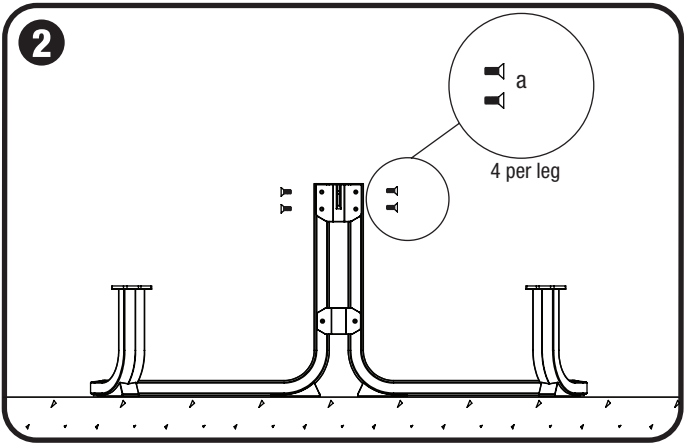
INCLUDED	MOUNTING KIT (SOLD SEPARATELY)	TOOLS NEEDED
 a (1/4"-20 x 3/4") x18 (6-seat) x12 (4-seat)  b (3/8"-16 x 3/4") x30 (6-seat) x24 (4-seat)  c (3/8"-16 x 1") x24 (6-seat) x16 (4-seat)  7/32" and 5/32" hex bit for tamper-resistant	 d x3 (6-seat) x2 (4-seat)  e x3 (6-seat) x2 (4-seat)  5/16" hex key	 3/16, 3/8, 1/2 & 5/8" drill bits for concrete  hammer drill  pencil  steel wire brush  loctite  hammer  hand driver  1/4" punch

**STEP BY STEP** FOR ALL SURFACE MOUNTED TANGENT TABLE ENSEMBLES (SETAN-4BS SHOWN)



**Attach legs to central hub**

- Attach legs to central hub with 1/4"-20 x 3/4" flat socket-cap bolts (a) using hand driver or cordless drill on low torque drill setting and 5/32" hex bit for tamper-resistant bolts.



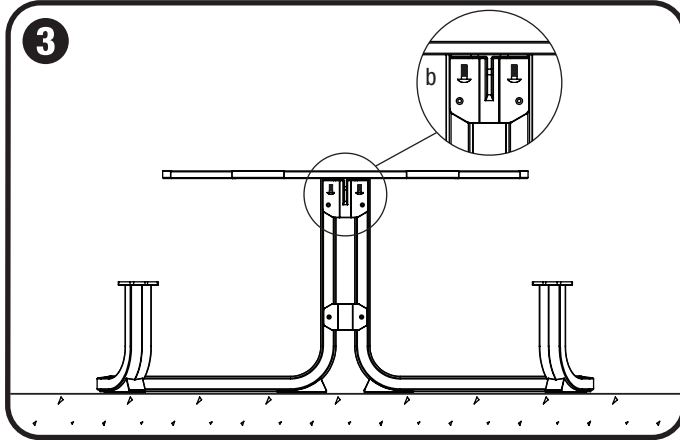
**Attach top bracket to legs**

- Attach top bracket to legs with 1/4"-20 x 3/4" flat socket-cap bolts (a) hand driver or cordless drill on low torque drill setting and 5/32" hex bit for tamper-resistant bolts.

# TANGENT™ TABLE ENSEMBLE

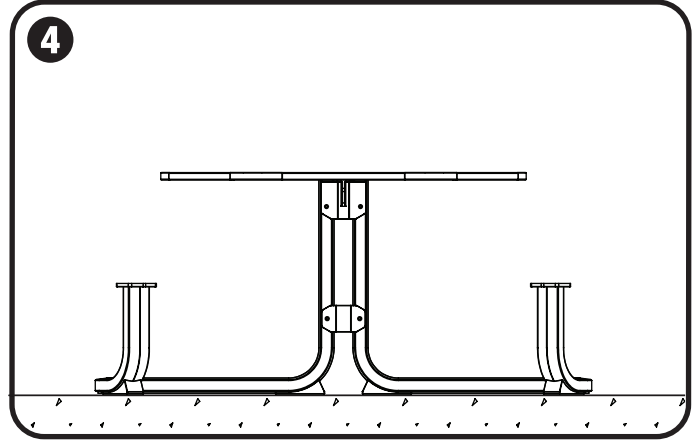
SURFACE MOUNT INSTALLATION INSTRUCTIONS

## STEP BY STEP FOR ALL SURFACE MOUNTED TANGENT TABLE ENSEMBLES (SETAN-4BS SHOWN)



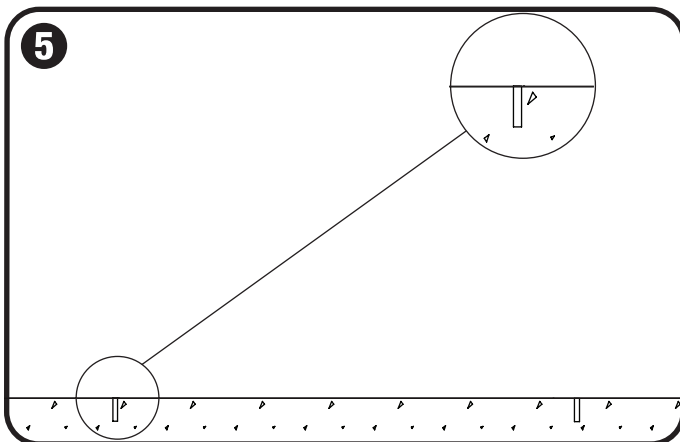
### Attach table top to top bracket

- Attach table top to top bracket with 3/8"-16 x 3/4" button head cap bolts (b) using hand driver or cordless drill on low torque drill setting and 7/32" hex bit for tamper-resistant bolts. Note that 4-seat ensembles will use 8 flat socket-cap bolts, and 6-seat



### Mark hole locations

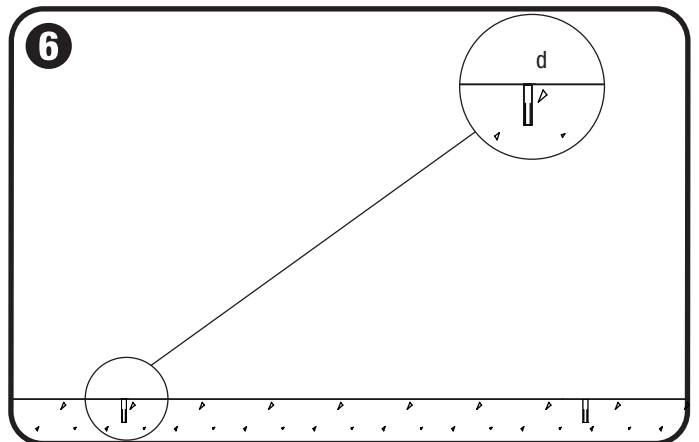
- Place table ensemble in desired location. Mark center of each hole location with a pencil.



### Drill anchor holes

- Use hammer drill to drill 2-1/4" deep x 5/8" diameter anchor holes at each marked location using a 5/8" drill bit suitable for concrete drilling.

NOTE: Forms+Surfaces recommends starting holes with 3/16" diameter drill bit followed by 3/8" and finally 5/8" for maximum accuracy.



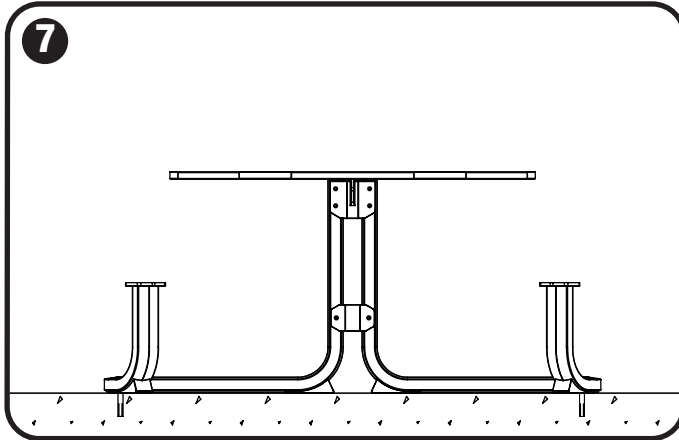
### Insert and set anchors

- Use compressed air and steel wire brush to clean anchor hole.
- Insert 1/2"-13 x 2" anchor (d) into anchor hole and use hammer to tap anchor top flush with ground level.
- Use 1/4" punch and hammer to set anchor by driving down the center of each anchor until it stops.

# TANGENT™ TABLE ENSEMBLE

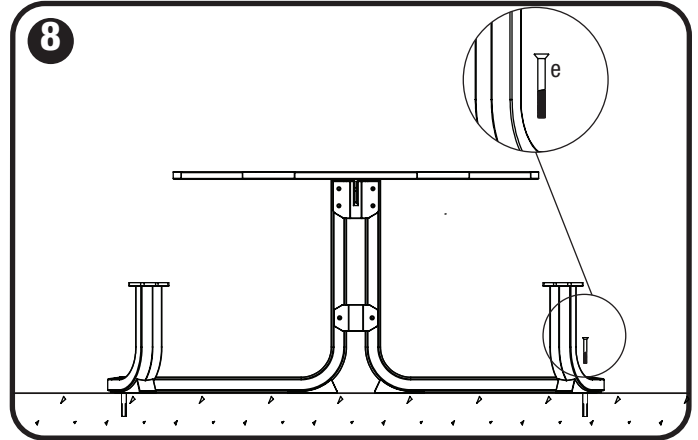
## SURFACE MOUNT INSTALLATION INSTRUCTIONS

### STEP BY STEP FOR ALL SURFACE MOUNTED TANGENT TABLE ENSEMBLES (SETAN-4BS SHOWN)



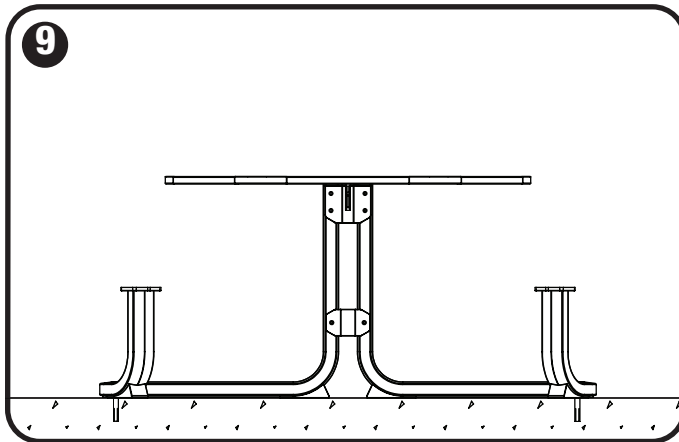
#### Position ensemble

- Position ensemble so that mounting holes line up with anchors.



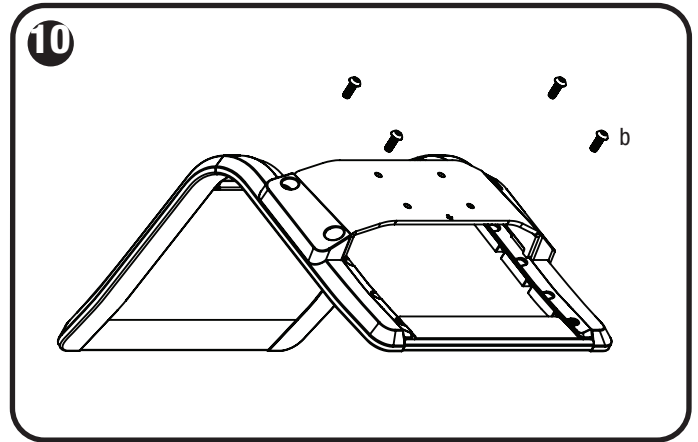
#### Attach ensemble

- Insert 1/2"-13 x 3" tamper-resistant flat socket-cap bolts (e) into mounting holes in ensemble and thread into anchors using 5/16" hex key for tamper-resistant bolts.



#### Tighten bolt

- Tighten all bolts until snug.



#### Attach seats to seat cradle brackets

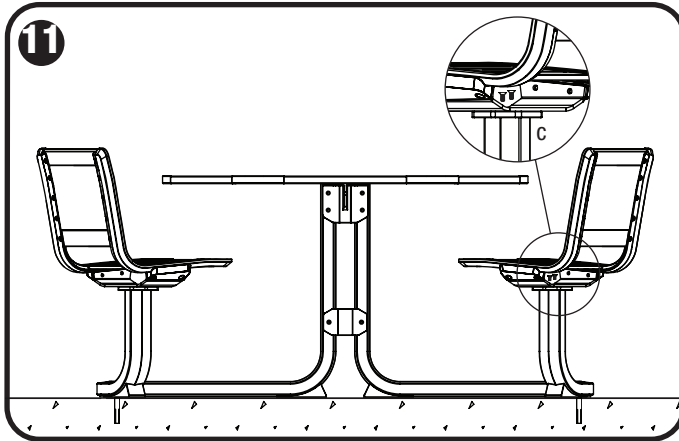
- Attach seats to seat cradle brackets with 3/8"-16 x 3/4" button head cap bolts (b) using hand driver or cordless drill on low torque drill setting and 7/32" hex bit for tamper-resistant bolts.

Note: for backed seats only, the indicator arrow on the seat cradle bracket should be pointing towards the front of the seat.

# TANGENT™ TABLE ENSEMBLE

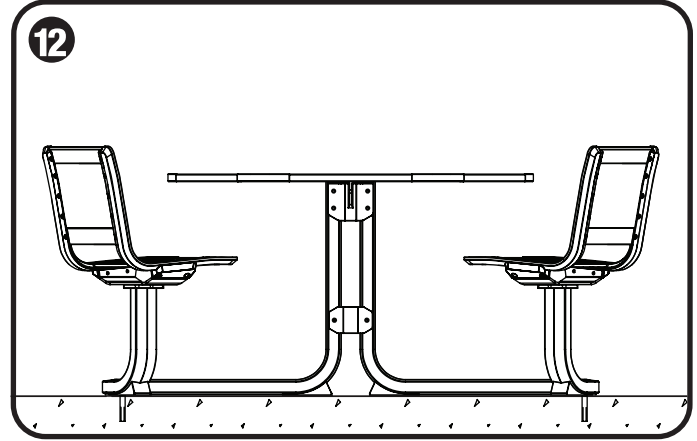
SURFACE MOUNT INSTALLATION INSTRUCTIONS

**STEP BY STEP** FOR ALL SURFACE MOUNTED TANGENT TABLE ENSEMBLES (SETAN-4BS SHOWN)



## Attach seats to legs

- Attach seat cradles to legs with with 3/8"-16 x 1" flat socket-cap bolts (c) using a drill and 7/32" hex bit for tamper-resistant bolts.



## Tighten bolts

- Tighten all bolts until snug.