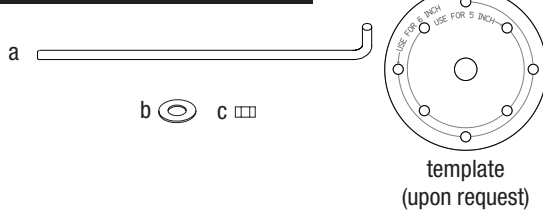


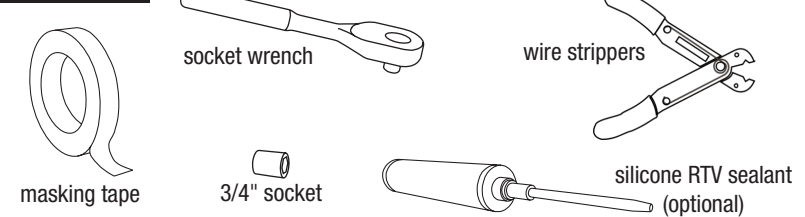
LIGHT COLUMN BOLLARD

SURFACE MOUNT WITH J-BOLTS INSTALLATION INSTRUCTIONS

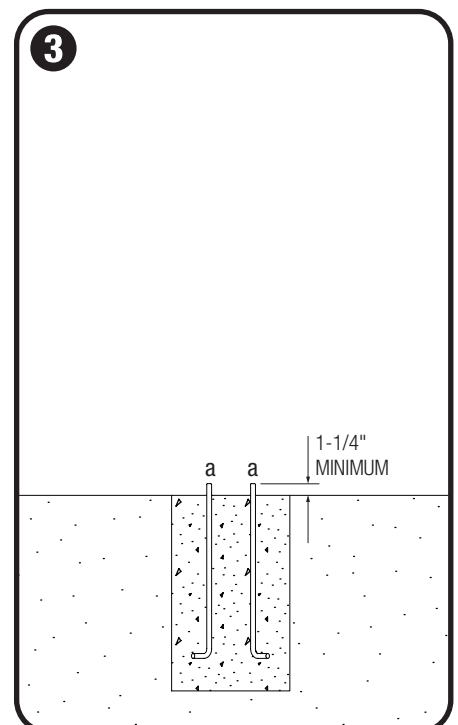
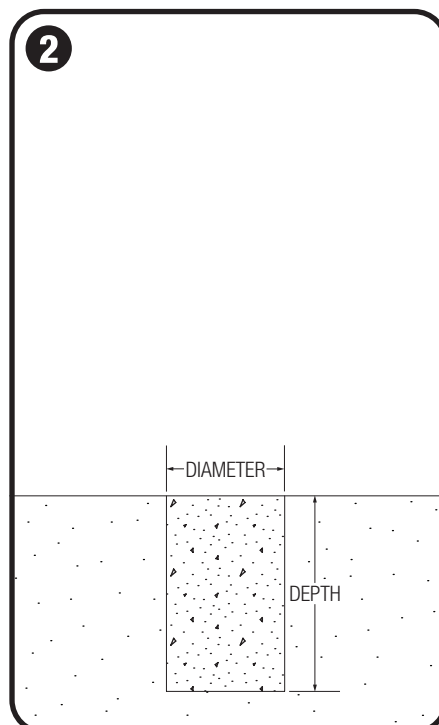
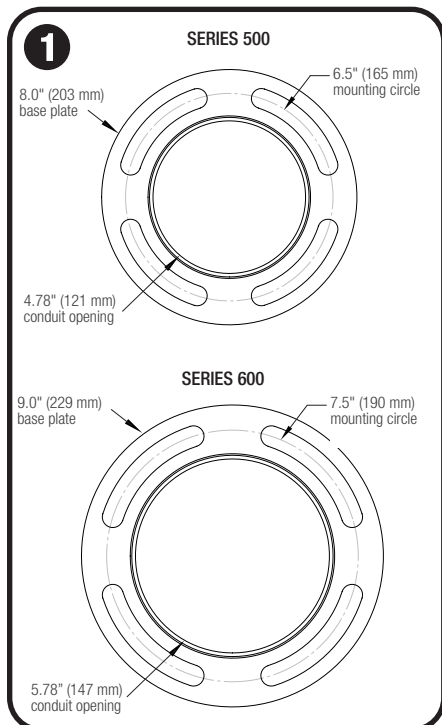
MOUNTING KIT (SOLD SEPARATELY)



TOOLS NEEDED



STEP BY STEP FOR ALL STANDARD LIGHT COLUMN BOLLARDS



Prepare the incoming power

- Before pouring concrete footer, run properly sized conduit and cabling to each fixture location according to local code requirements. Refer to figure above for dimensions for conduit entry envelope size and location on fixture.

Forms+Surfaces is not responsible for site preparation and footings.

Note: Conduit should not protrude more than 2" above mounting surface.

Pour concrete footer

- Mix and pour concrete footer according to concrete manufacturer's instructions.
- A sufficient footer size depends on frost and other conditions to be determined by the installer.
- A minimum of a 12" diameter x 20" deep footer is recommended for Series 500 bollards; minimum of a 13" diameter x 20" deep footer is recommended for Series 600 bollards.

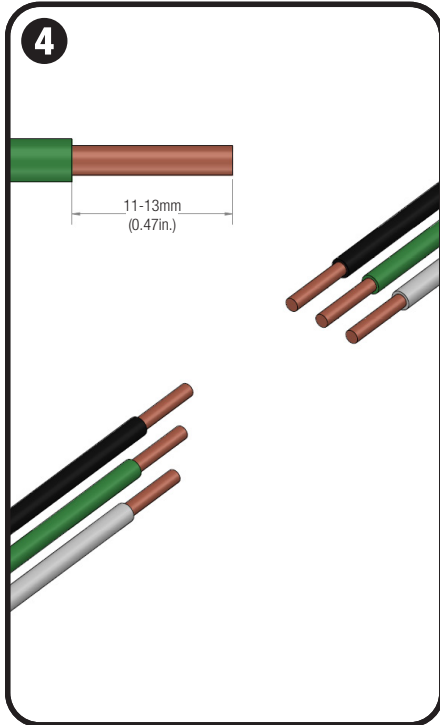
Insert J-bolt anchors

- Insert 1/2"-13 x 18" galvanized steel J-bolt anchors (a) into concrete.
- Use template (included upon request) to position J-bolt anchors in proper locations. Tops of J-bolt anchors must be a minimum of 1-1/4" above concrete surface.
- Allow concrete to set completely, in accordance with concrete manufacturer's instructions, before moving to step 4.

LIGHT COLUMN BOLLARD

SURFACE MOUNT WITH J-BOLTS INSTALLATION INSTRUCTIONS

STEP BY STEP FOR ALL STANDARD LIGHT COLUMN BOLLARDS



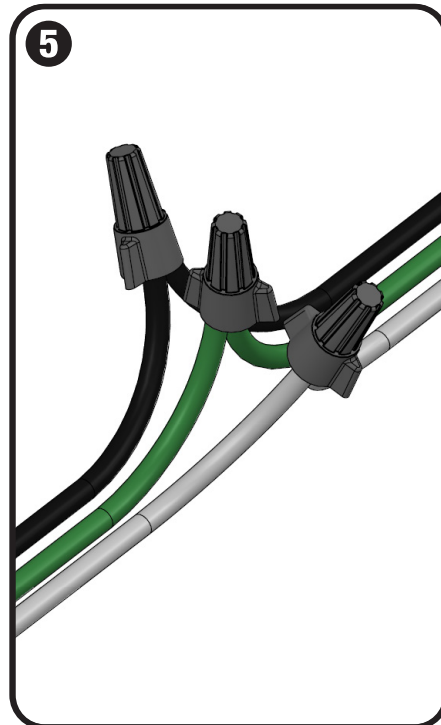
Locate & prepare wires

Note: Installation should be performed only by qualified individuals.

- Before proceeding with wiring of fixture, check to ensure that all applicable site wiring and safety codes have been followed.
- Locate wires at base of light fixture. Ensure power supply is shut off and circuit being used is isolated.
- Prepare wiring from site conduit and bollard by stripping and removing 11-13mm (.47") of insulation.

Note: Wire used should be 22-14 AWG copper conductors.

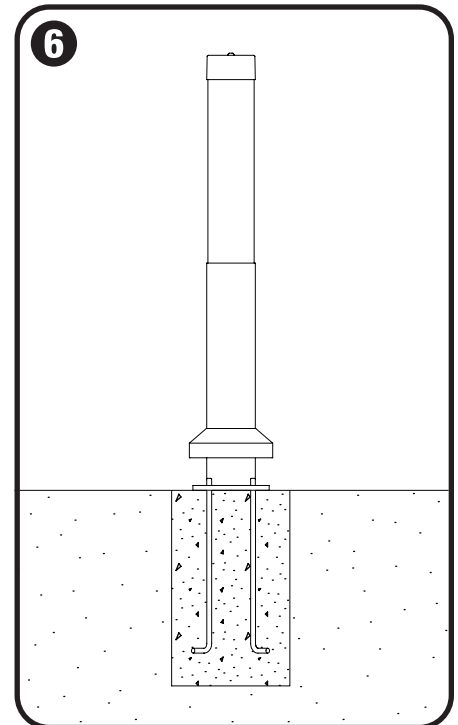
Caution: Installation of a surge protector as part of each unit's wiring is recommended.



Connect wires

- Insert ground (green), neutral (white), and positive (black) wires into wire nuts, being sure to match wire color codes from conduit to fixture.
- Tighten wire nuts until exposed wire ends are below bottom of wire nut.
- Inspect all wiring and connections before turning power supply on.

Caution: Light fixture rated for 120-277 VAC power.



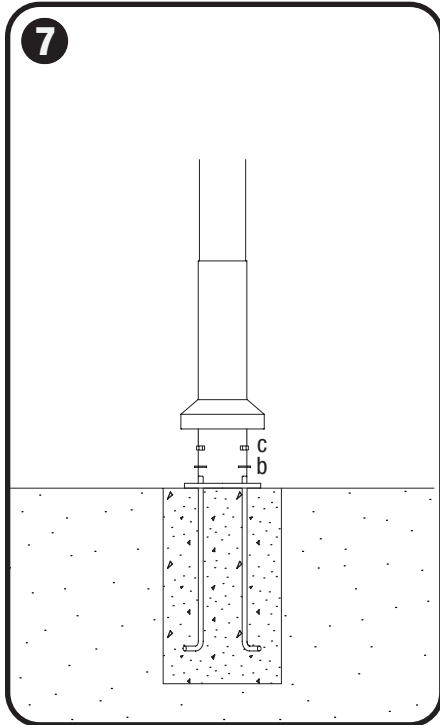
Slide bollard onto J-bolt anchors

- Slide bollard base plate over J-bolt anchors and lower bollard to concrete level.
- Carefully use masking tape to tape escutcheon cover further up the body until installation is complete.

LIGHT COLUMN BOLLARD

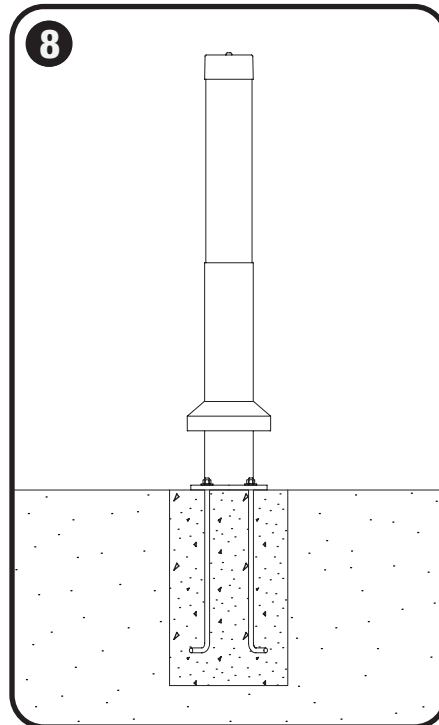
SURFACE MOUNT WITH J-BOLTS INSTALLATION INSTRUCTIONS

STEP BY STEP FOR ALL STANDARD LIGHT COLUMN BOLLARDS



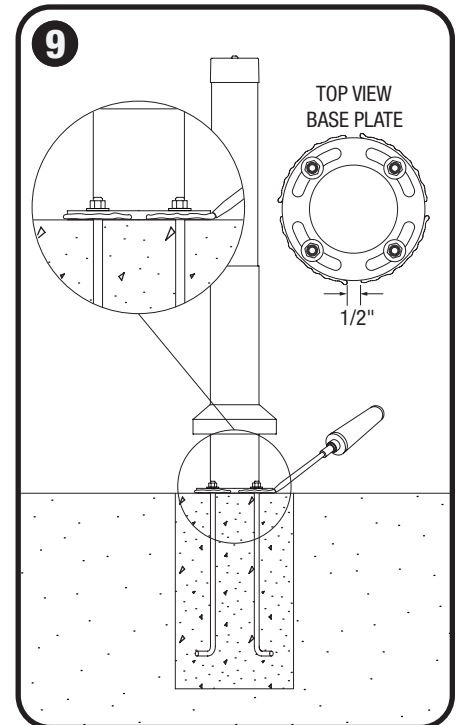
Attach bollard

- Slide 1/2" washer (b), then thread 1/2"-13 nut (c) onto each J-bolt anchor.



Tighten nuts

- Use 3/4" socket and socket wrench to tighten all nuts until snug.



Attach escutcheon cover (optional)

- Apply a thick bead of silicone RTV sealant around the vertical edge of the base plate.
NOTE: Leave four 1/2" gaps to allow for water drainage.
- Lower escutcheon cover to ground level and wipe away any excess sealant.