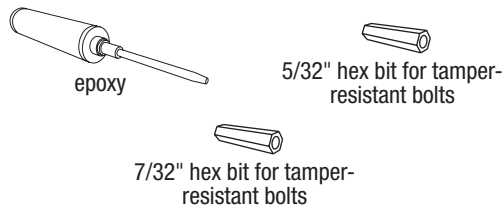


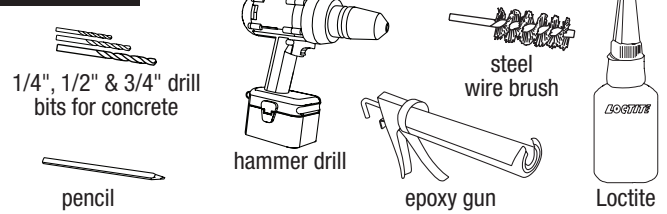
# ELEVEN™ BIKE RACK

## SURFACE MOUNT INSTALLATION INSTRUCTIONS

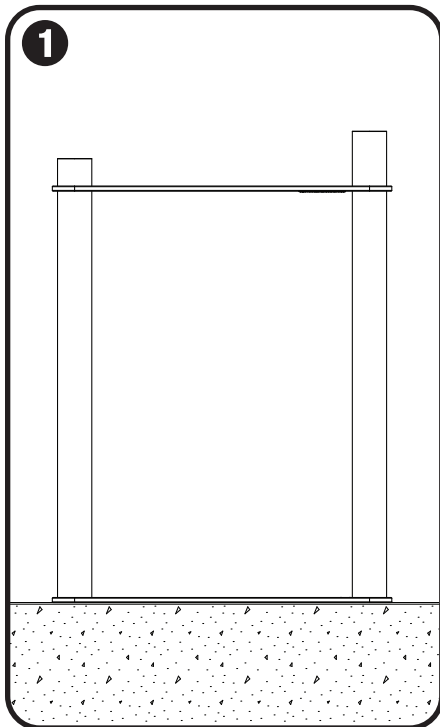
### MOUNTING KIT (SOLD SEPARATELY)



### TOOLS NEEDED



### STEP BY STEP FOR ALL SURFACE MOUNT ELEVEN BIKE RACKS



#### 1 Mark hole locations

- Place bike rack in desired location ensuring stabilization. Mark center of each hole location with a pencil.

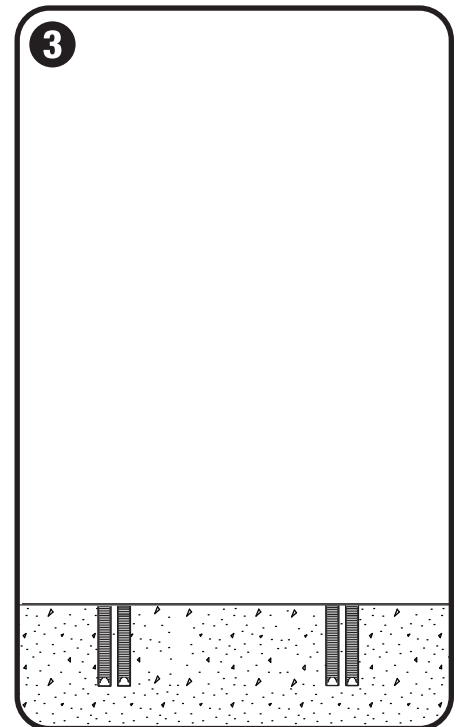
Note: For 3/8" anchors, a minimum 6" thick concrete slab is recommended for mounting.



#### 2 Drill holes

- Use hammer drill to drill 4.5" deep x 3/4" diameter anchor hole at each marked location using a 3/4" drill bit suitable for concrete drilling.

NOTE: Forms+Surfaces recommends starting holes with 1/4" diameter drill bit followed by 1/2" and finally 3/4" for maximum accuracy.



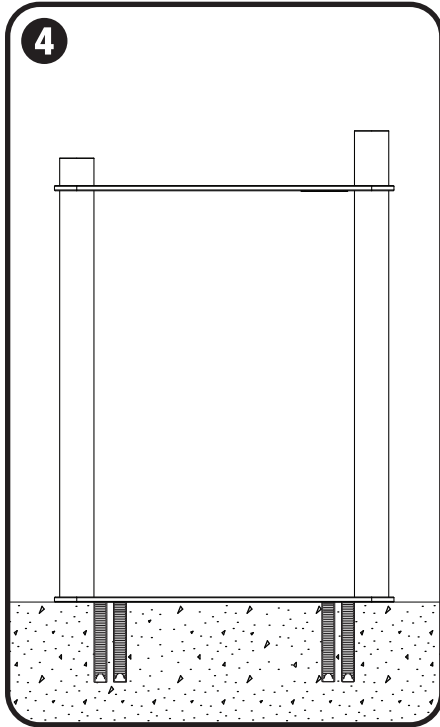
#### 3 Fill holes & insert anchors

- Use compressed air and steel wire brush to clean each anchor hole in accordance with epoxy instructions.
- Use epoxy in epoxy gun to fill each anchor hole 5/8 of the hole depth in accordance with epoxy instructions.
- Insert 3/8"-16 x 4-1/4" epoxy anchor (a) into each anchor hole so anchor top is flush with ground. Allow proper curing time according to cure schedule on epoxy instructions before moving on to Step 4.

# ELEVEN™ BIKE RACK

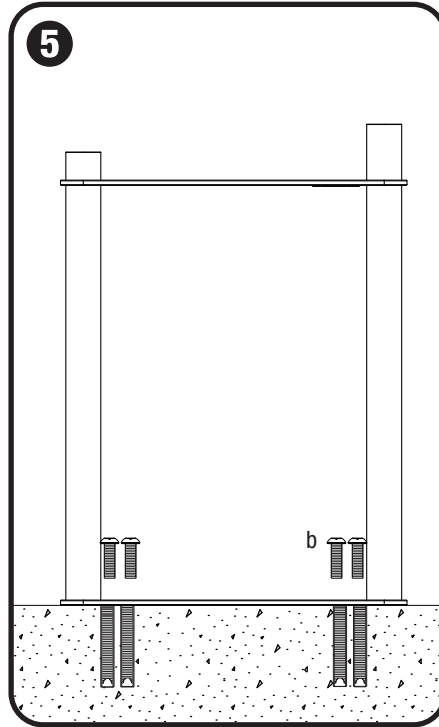
## SURFACE MOUNT INSTALLATION INSTRUCTIONS

### STEP BY STEP FOR ALL SURFACE MOUNT ELEVEN BIKE RACKS



#### Position bike rack

- Position bike rack so that mounting holes line up with anchors.



#### Attach bike rack and tighten bolts

- Insert four 3/8"-16 x 1-1/2" button head cap bolts (b) into mounting holes in bike rack. Thread anchors using 7/32" hex bit for tamper-resistant bolts.
- Tighten all bolts.

NOTE: Forms+Surfaces recommends applying Loctite® or similar thread-locking adhesive.

# ELEVEN™ BIKE RACK

## SURFACE MOUNT INSTALLATION INSTRUCTIONS

RECOMMENDED BIKE RACK SPACING PER ASSOCIATION OF PEDESTRIAN AND BICYCLE PROFESSIONALS (APBP) GUIDELINES FOR ALL ELEVEN BIKE RACKS

