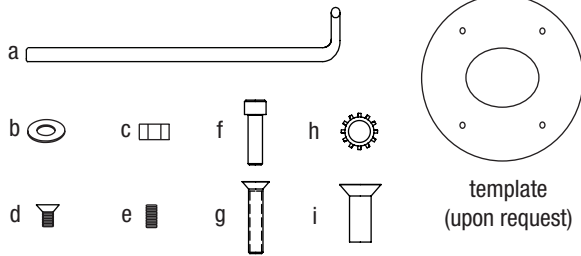


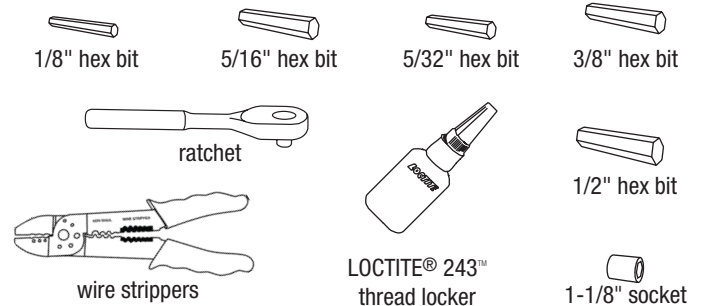
# 3RIVERS™ PEDESTRIAN

## SURFACE MOUNT INSTALLATION & WIRING INSTRUCTIONS

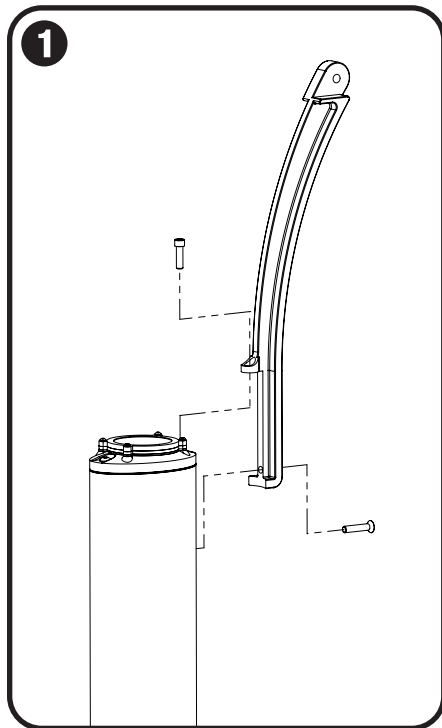
### MOUNTING KIT (SOLD SEPARATELY)



### TOOLS NEEDED

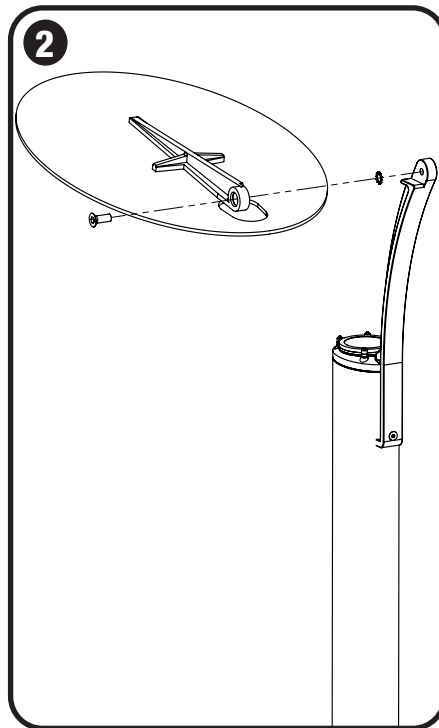


### STEP BY STEP FOR ALL 3RIVERS PEDESTRIAN LIGHTING



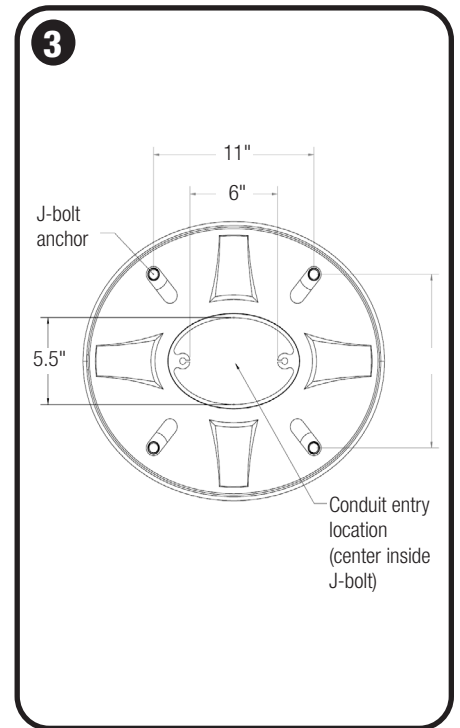
#### Attach reflector arm

- Position reflector arm on fixture.
- Install 1/2" -13, 1-3/4" socket head bolt (f) with 3/8" hex bit and ratchet, using LOCTITE® 243™ thread locker or similar on fastener threads. Hand snug only; do not overtighten.
- Install 1/2" -13, 2-1/2" flat head bolt (g) with 5/16" hex bit and ratchet, using LOCTITE® 243™ thread locker or similar on fastener threads. Hand snug only; do not overtighten.



#### Attach reflector

- Position reflector on reflector arm, ensuring that 3/4" star washer (h) is between the parts.
- Install 3/4"-10, 2" flat head bolt with 1/2" hex bit and torque wrench, using LOCTITE® 243™ thread locker or similar on fastener threads. Torque to 70 ft-lbs; do not overtighten.



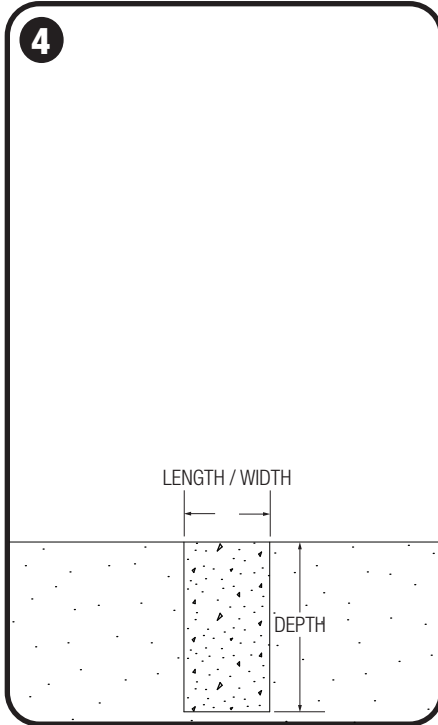
#### Prepare the incoming power

- Before pouring concrete footer, run properly sized conduit and cabling to each luminary location according to local code requirements. Refer to figure above for dimensions for conduit entry envelope size and location on luminary.
- Forms+Surfaces is not responsible for site preparation and footings.**
- Note: Conduit should not protrude more than 2" above mounting surface.

# 3RIVERS™ PEDESTRIAN

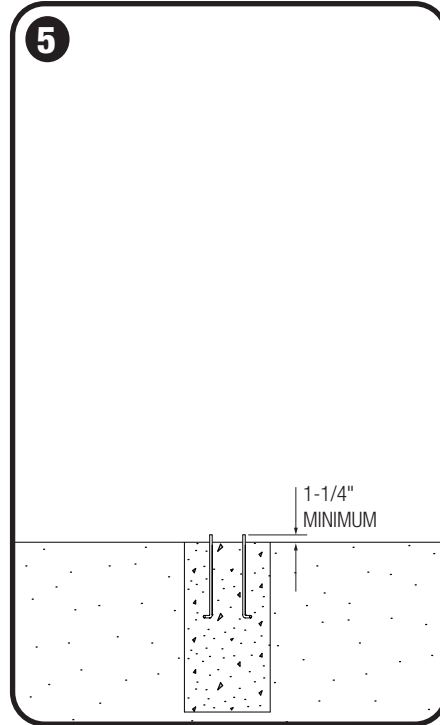
## SURFACE MOUNT INSTALLATION & WIRING INSTRUCTIONS

### STEP BY STEP FOR ALL 3RIVERS PEDESTRIAN LIGHTING



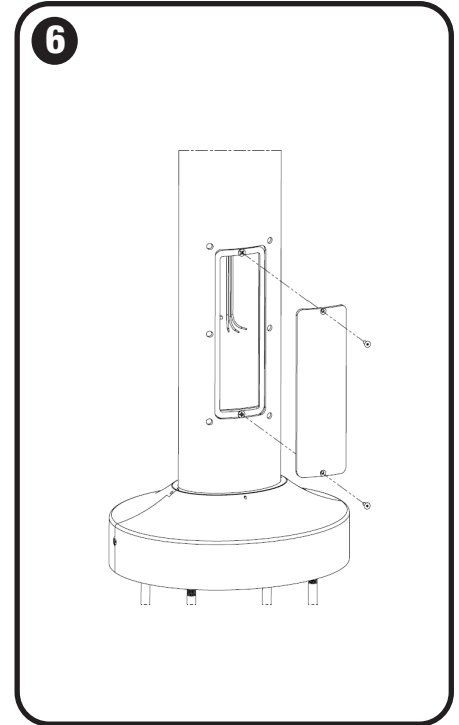
#### Pour concrete footer

- Mix and pour concrete footer according to concrete manufacturer's instructions.
- A sufficient footer size depends on frost and other conditions to be determined by the installer. A minimum of a 24" square x 36" deep footer is recommended.



#### Insert J-bolt anchors

- Insert 3/4"-10 x 24" galvanized steel J-bolt anchors (a) into concrete.
- Use template (included upon request) to position J-bolt anchors in proper locations. Tops of J-bolt anchors must be a minimum of 1-1/4" above concrete surface.
- Allow concrete to set completely, in accordance with concrete manufacturer's instructions, before moving to step 3.



#### Locate Wires

Note: Installation should be performed only by qualified individuals.

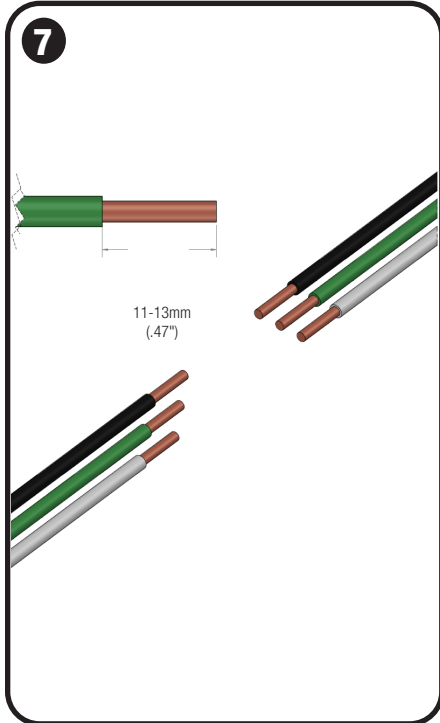
- Before proceeding with wiring of luminary, check to ensure that all applicable site wiring and safety codes have been followed.
- Remove two bolts on access door at base of light pole, and remove access door.
- Locate wires at base of light fixture.
- Ensure power supply is shut off and circuit being use is isolated.

Caution: Installation of a surge protector as part of each unit's wiring is recommended.

# 3RIVERS™ PEDESTRIAN

## SURFACE MOUNT INSTALLATION & WIRING INSTRUCTIONS

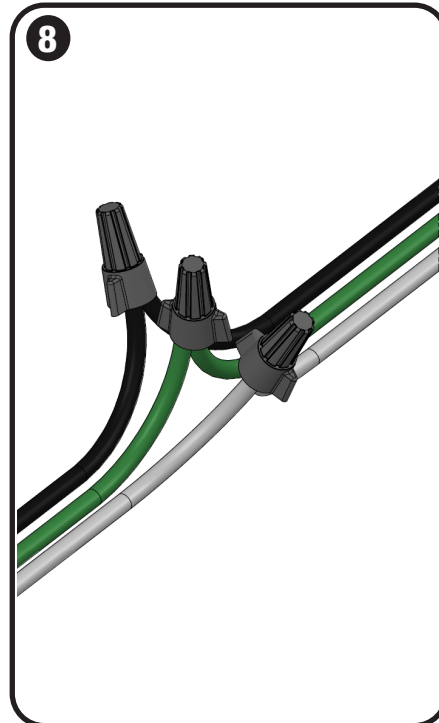
### STEP BY STEP FOR ALL 3RIVERS PEDESTRIAN LIGHTING



#### Prepare Wires

- Prepare wiring from site junction box and bollard by stripping and removing 11-13mm (.47") of insulation.

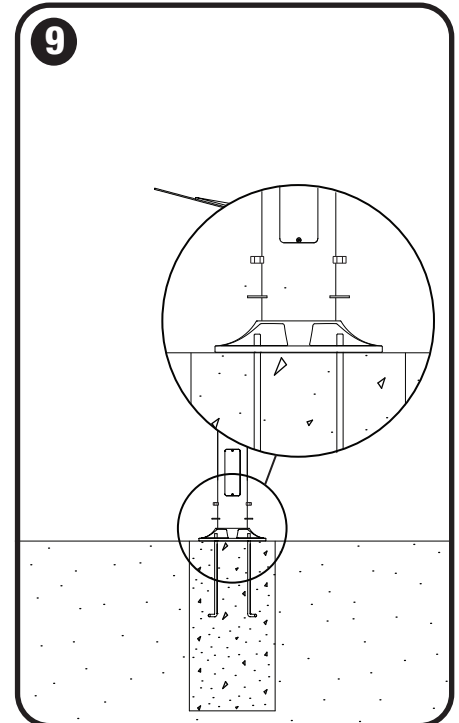
Note: Wire used should be 22-14 AWG copper conductors.



#### Connect Wires

- Insert ground (green), neutral (white), and positive (black) wires into wire nuts, being sure to match wire color codes from junction box to bollard.
- Tighten wire nuts until exposed wire ends are below bottom of wire nut.
- Inspect all wiring and connections before turning power supply on.

Caution: Light fixture rated for 120-277 VAC power



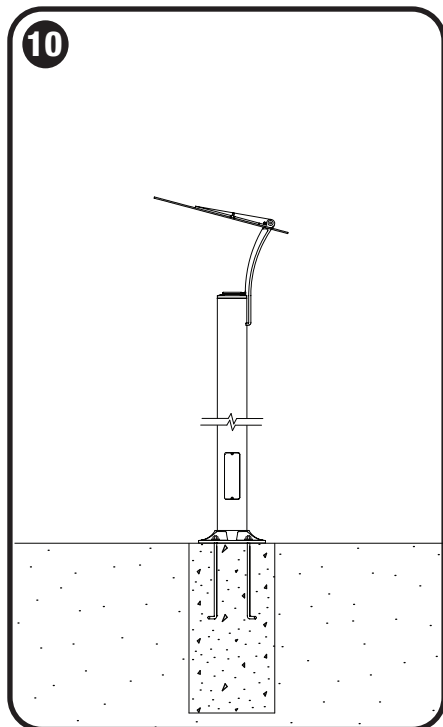
#### Position & attach pedestrian

- Slide pedestrian base plate over J-bolt anchors and lower pedestrian to concrete level. Keep supported until attached and tightened.

# 3RIVERS™ PEDESTRIAN

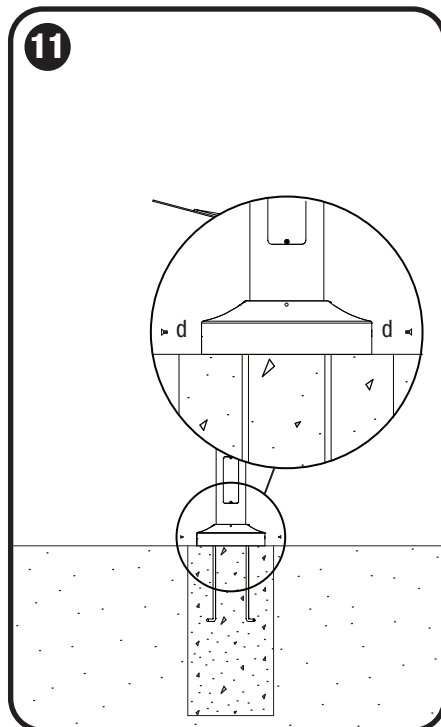
## SURFACE MOUNT INSTALLATION & WIRING INSTRUCTIONS

### STEP BY STEP FOR ALL 3RIVERS PEDESTRIAN LIGHTING



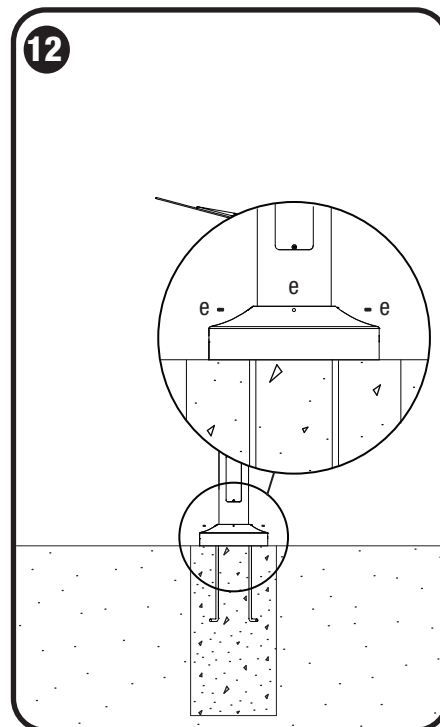
#### Attach and tighten washers and nuts

- Slide 3/4" washer (b), then thread 3/4"-10 nut (c) onto each J-bolt anchor.
- Use 1-1/8" socket and socket wrench to tighten all nuts until snug.



#### Attach base cover (step 1)

- Place both halves of base cover in position and thread 1/4"-20 x 1/2" flat head cap screw (d) into each end hole and tighten with 5/32" hex bit or key.



#### Attach base cover (step 2)

- Thread 1/4"-20 x 1/2" set screw (e) into each upper hole and tighten with 1/8" hex bit or key.