

SYSTEMS

WALLS | COLUMNS | LIGHTPLANE | ELEVATOR INTERIORS
ELEVATOR DOORS | DOORS | INFORMATION DISPLAYS



CONTENTS

01 WALL CLADDING

LEVELe Wall Cladding System	2
LEVELe Wall Cladding System Details	14
LEVELr Wall Cladding System	20
LEVELr Wall Cladding System Details	28

33 COLUMNS

LEVELe Column System	34
LEVELe Column System Details	38
LEVELr Column System	40
LEVELr Column System Details	42
LEVELc Column System	46
LEVELc Column System Details	50

55 LIGHTPLANE

LightPlane Panels	56
LightPlane Panel System Details	70

73 ELEVATOR INTERIORS

LEVELe Elevator Interiors	74
LEVELe Elevator Interior System Details	92
LEVELc Elevator Interiors	94
LEVELc Elevator Interior System Details	98
Elevator Ceilings	100
Elevator Handrails + Crash Rails	104
Elevator Design Studio	110

113 ELEVATOR DOORS

Elevator Doors 114

121 DOORS + DOOR PULLS

Doors + Door Pulls 122

131 INFO DISPLAYS

Information Displays 132
Information Display System Details 138

141 BEYOND SYSTEMS

Beyond Standard 142
Design Tools 158
Additional Resources 160





WALL CLADDING

Whether used for small entry areas or grand public lobbies, our wall cladding systems give you a framework for realizing your most imaginative design ideas. Variable panel sizes and shapes, extensive material options from the F+S Surfaces library, and precisely engineered components make it easy to meet diverse performance criteria, resolve trim and installation challenges, and create high-impact wall cladding designs without the need for custom solutions.



LEVELe WALL CLADDING SYSTEM

The LEVELe Wall Cladding System blends remarkable design flexibility with the convenience of a panelized system.

Aluminum-framed panels with structural backing and decorative insets form the basis of the system. Panel frames incorporate LEVELe's wall panel attachment system; panel insets draw from our vast Surfaces line-up. Four highly configurable panel styles provide different visual end results and support different material selections. Third-party inset materials and LightPlane Panels are also an option. Bases and interior and exterior corners complete the system.

Individual LEVELe panels can be installed or removed independently, simplifying maintenance or panel replacement. The LEVELe Wall Cladding System coordinates with our LEVELe Column System and LEVELe Elevator Interiors.

Shrewsbury Executive Center I & II, Shrewsbury, New Jersey | Left
LEVELe Wall Cladding System with Capture panels in Bonded Bronze with Natural Patina and Kalahari pattern

The Center for Care and Discovery, University of Chicago Medicine, Chicago, Illinois
| Opposite
LEVELe Wall Cladding System with Float panels in Stainless Steel with Linen finish

Austin-Bergstrom International Airport, Austin, Texas | Previous
LEVELe Wall Cladding System with panels in ViviChrome Chromis glass with custom color interlayer and Opalex finish



Mission City Corporate Center, San Diego, California | Bottom
LEVELe Wall Cladding System with Blind Panels in ViviChrome Chromis glass with custom color interlayer;
and LEVELe-105 Elevator Interior

2M Street - NoMa Apartments, Washington, D.C. | Right
LEVELe Wall Cladding System with Capture panels in custom wood veneer

MoZaic, Minneapolis, Minnesota | Opposite
LEVELe Wall Cladding System with Capture panels in Bonded Quartz, White, with Crinkle pattern







Bank of America Plaza, Nashville, Tennessee | Left LEVELe Wall Cladding and Column Systems with Capture Panels in ViviChrome Chromis glass with White Interlayer and Opalex finish

Oakbrook Office North, Oak Brook, Illinois | Opposite LEVELe Wall Cladding System with LightPlane Panels in ViviStone White Onyx glass with Pearlex finish; column in Stainless Steel with Linen finish





NAV Consulting, Oakbrook Terrace, Illinois | Left
LEVELe Wall Cladding System with Blind panels in ViviChrome Scribe glass with Ultra White interlayer and Standard finish

NAV Consulting, Oakbrook Terrace, Illinois | Top
LEVELe Wall Cladding System with Blind panels in ViviChrome Scribe glass in magnetic configuration with Ultra White interlayer and Standard finish

NAV Consulting, Oakbrook Terrace, Illinois | Opposite
LEVELe Wall Cladding System with Capture panels in Bonded Aluminum with Dark Patina and Loft pattern, and Blind panels in Stainless Steel with Diamond finish





Shift Apartments, San Diego, California | Left & Bottom

LEVELe Wall Cladding System with Minimal panels in ViviGraphix Gradiance glass with Vapor pattern interlayer in custom colors and Standard finish

Private Location, Washington, D.C. | Opposite

LEVELe Wall Cladding System with Blind panels in ViviChrome Chromis glass with White interlayer and Standard finish, ViviGraphix Graphica glass with Centene interlayer in custom color and Standard finish, and Stainless Steel with custom finish







**Nationwide Children's Hospital - Research Building III,
Columbus, Ohio** | Left
LEVEl Wall Cladding System with Blind panels in ViviSpectra
Spectrum glass with custom image interlayer and Standard
finish

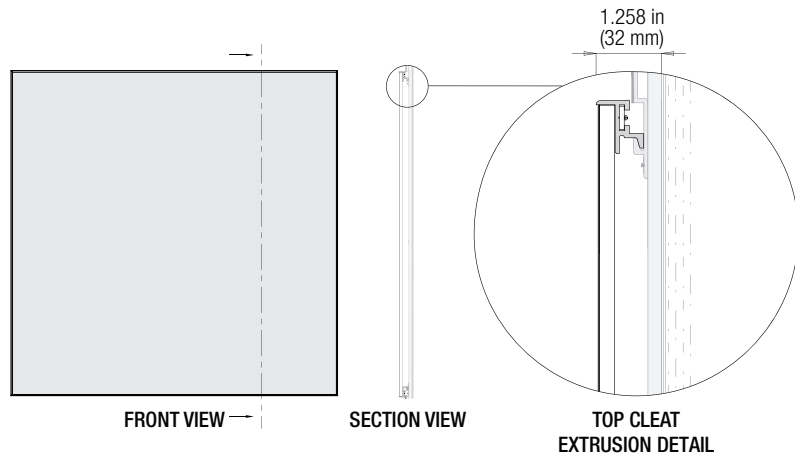
**Phoenix Sky Train, Phoenix Sky Harbor International
Airport, Phoenix, Arizona** | Opposite
LEVEl Wall Cladding System with Float panels in Stainless
Steel with Sandstone finish and Dallas Impression pattern,
and custom painted aluminum



LEVEL_e WALL CLADDING SYSTEM

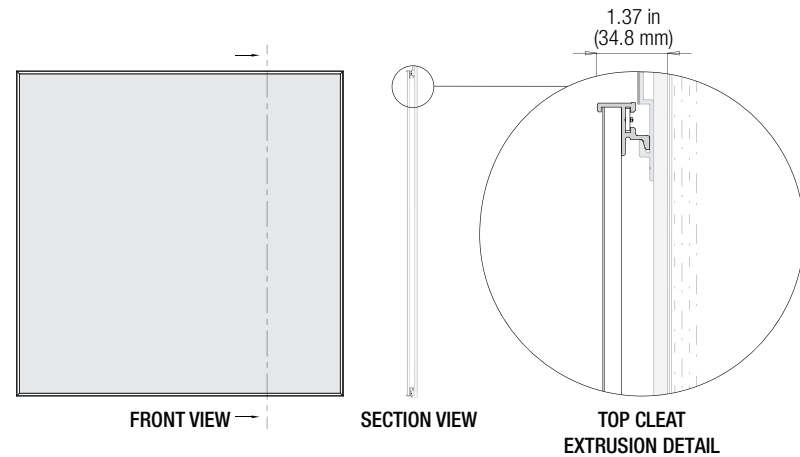
MINIMAL PANELS

Minimal panels have a narrow frame detail, forming a minimal appearance around the inset material.



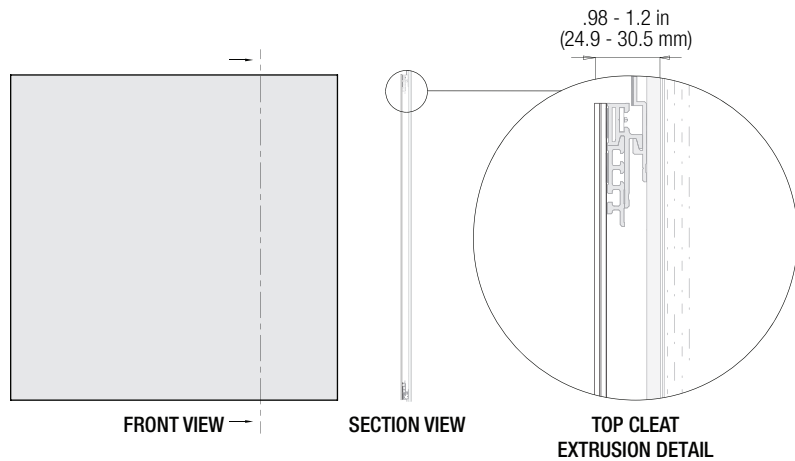
CAPTURE PANELS

Capture panels accommodate thicker, heavier materials, such as glass, that require a frame with a capture edge.



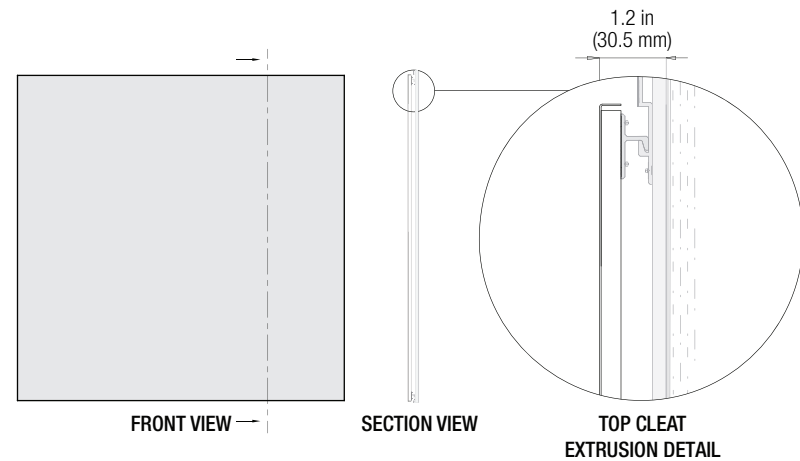
BLIND PANELS

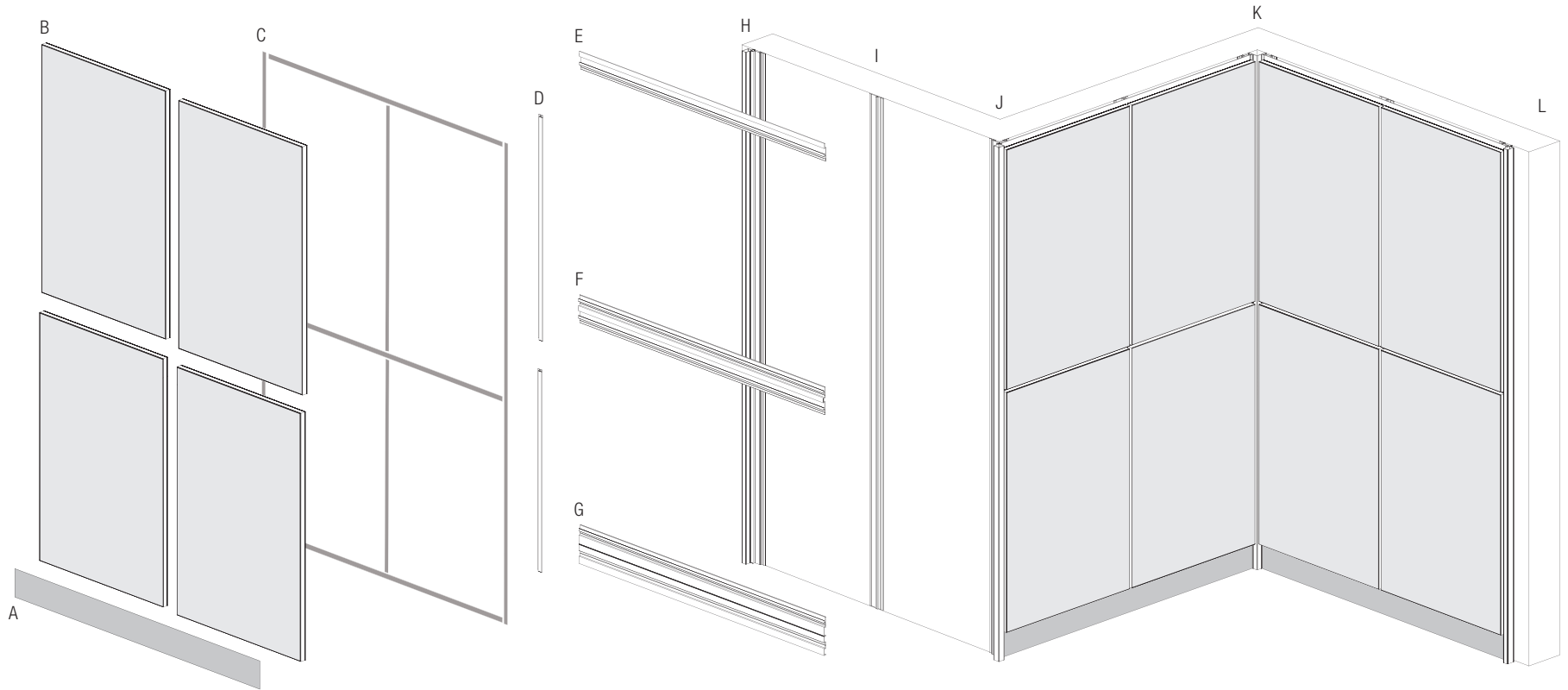
The Blind panel framing system is not visible from the front of the panel, helping to create the illusion of material thickness.



FLOAT PANELS

Float panels incorporate a non-visible framing system that leaves panel edges exposed.





A. Base Facing
 B. Wall Panel
 C. Reveal Tape

D. Hat Channel Cover
 E. Top Cleat Extrusion
 F. Wall Reveal Cleat Extrusion

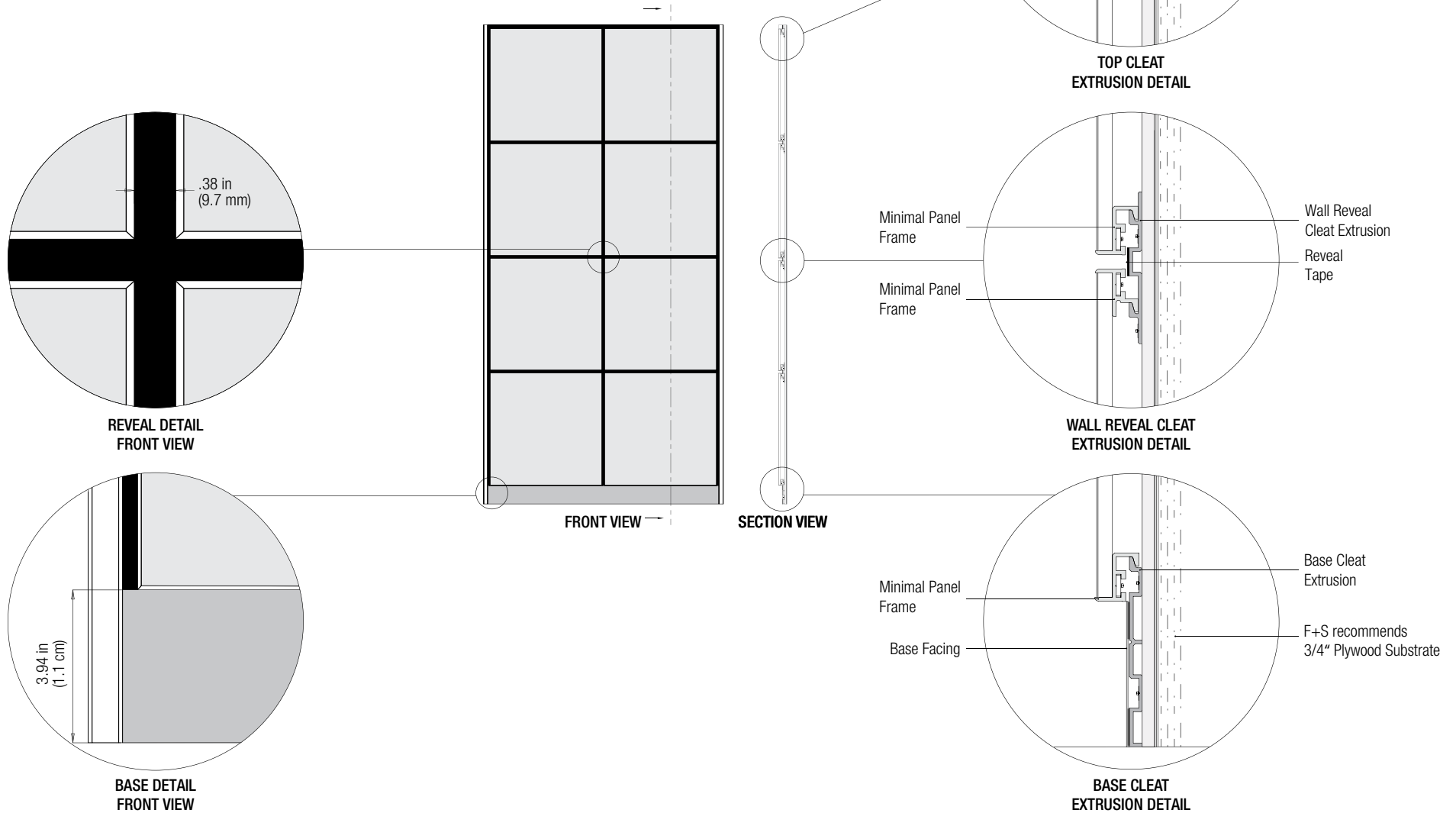
G. Base Cleat Extrusion
 H. End Stop Extrusion
 I. Hat Channel Extrusion

J. Outside Corner Extrusion
 K. Inside Corner Extrusion
 L. End Stop Extrusion

LEVELe WALL CLADDING SYSTEM

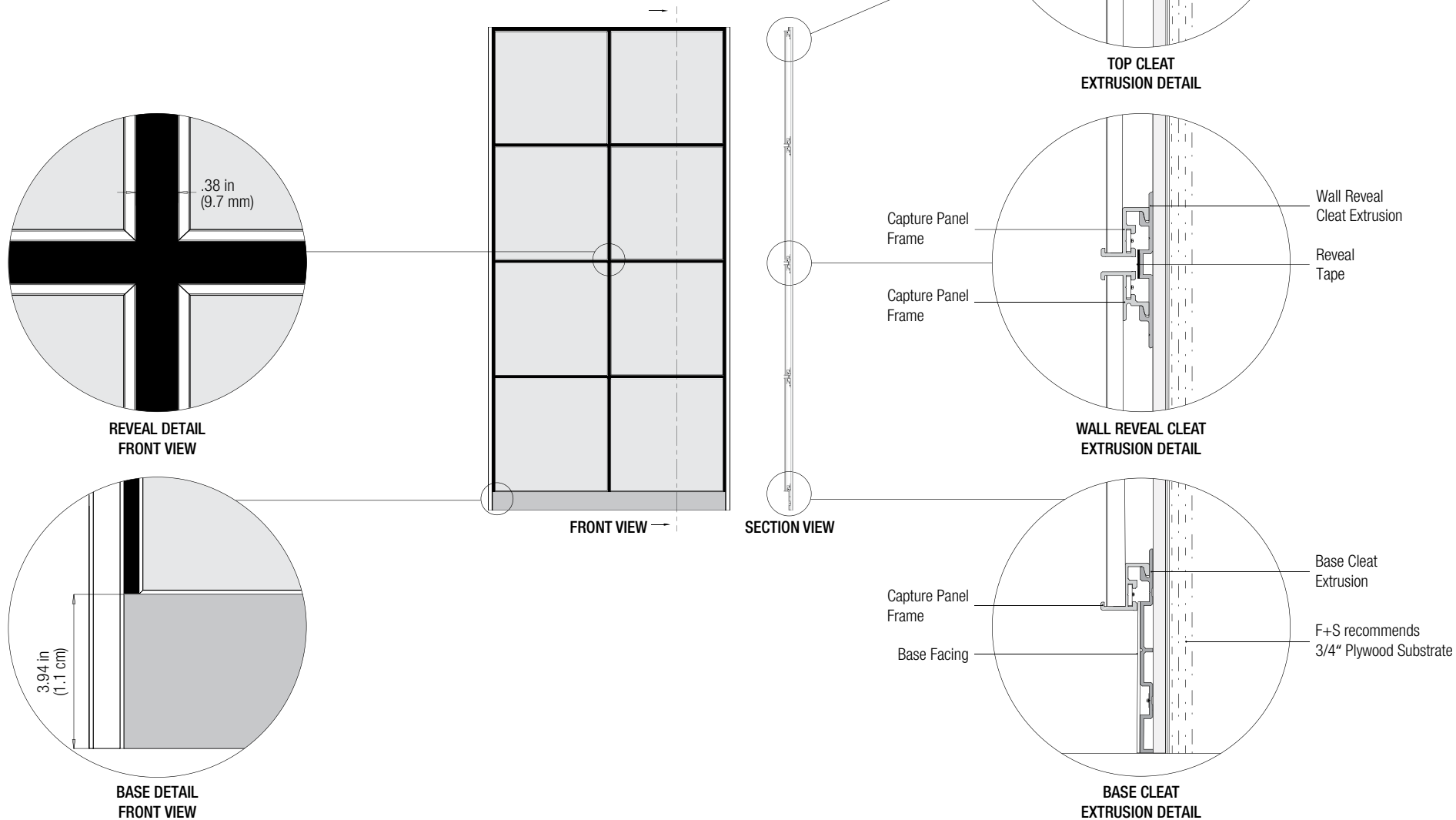
MINIMAL PANELS

Minimal panels have a narrow frame detail, forming a minimal appearance around the inset material.



CAPTURE PANELS

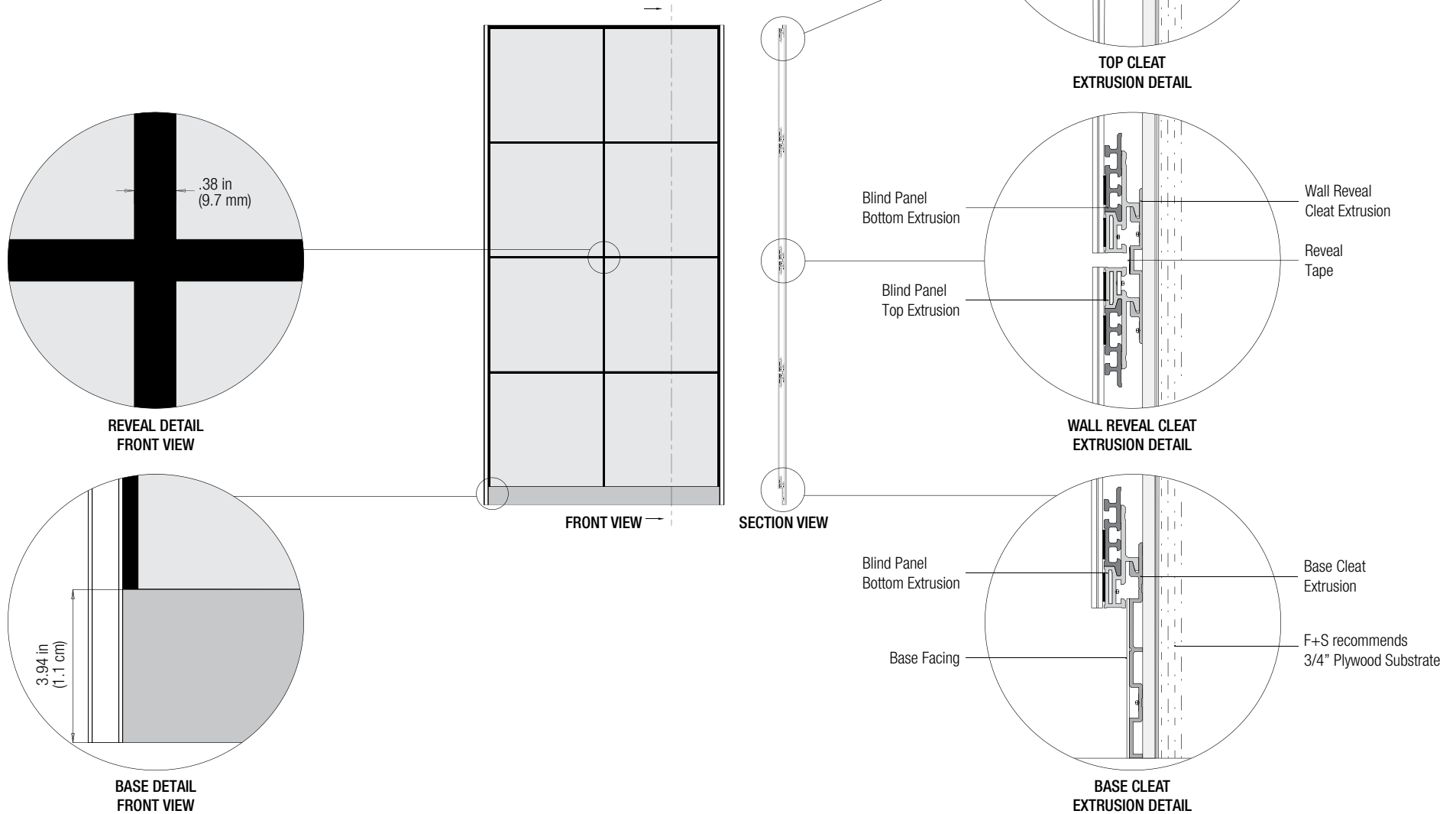
Capture panels accommodate thicker, heavier materials, such as glass, that require a frame with a capture edge.



LEVELe WALL CLADDING SYSTEM

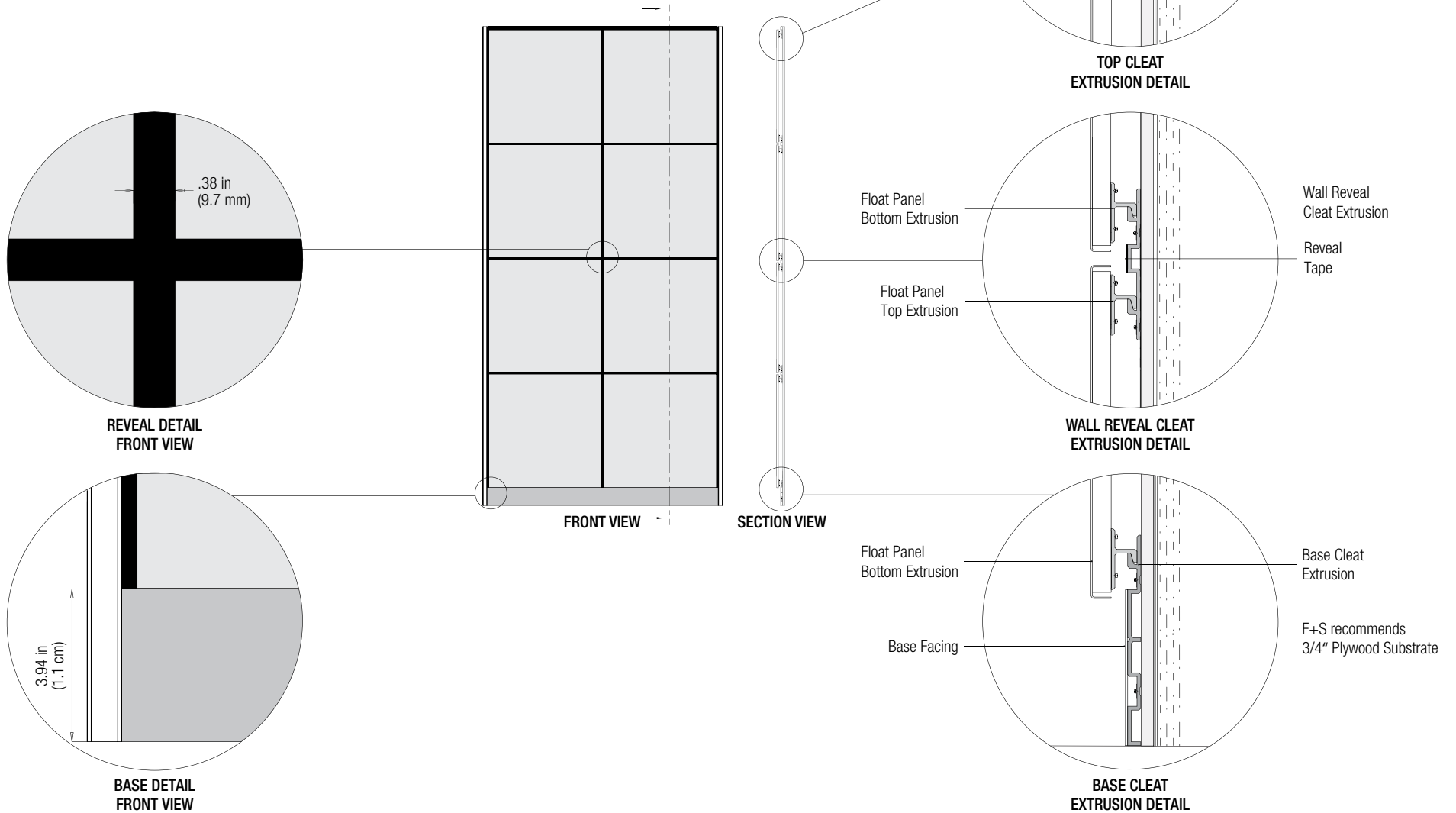
BLIND PANELS

The Blind panel framing system is not visible from the front of the panel, helping to create the illusion of material thickness.



FLOAT PANELS

Float panels incorporate a non-visible framing system that leaves panel edges exposed.





LEVELr WALL CLADDING SYSTEM

LEVELr is a sophisticated wall cladding system that pairs a frameless panel aesthetic with extensive material options. Smartly detailed at every turn, LEVELr makes it easy to create high-end design statements without resorting to custom solutions.

Panels accommodate many F+S Surfaces without a visible framing element. Narrow reveals between panels keep the installed look clean. For added refinement, optional 1/8" proud stainless steel fins can be incorporated between panels and/or at wall perimeters—a detail unique to LEVELr that lends an exquisite finish. Bases and inside and outside corners expand the customization potential. In addition, the system's 2" depth provides room to manage wiring, electronics and air flow between the wall and panel backs.

Individual LEVELr panels can be installed or removed independently, simplifying maintenance or panel replacement. The LEVELr Wall Cladding System coordinates with our LEVELr Column System.

LEVELr Wall Cladding System with panels in Vivispectra VEKTR glass with custom image interlayer and Pearlex+ finish, and reveal fins in stainless steel | Left & Opposite





LEVELr Wall Cladding System with panels in ViviChrome Chromis glass with custom color interlayer and Pearlex+ finish and Stainless Steel with Seastone finish, and reveal fins in stainless steel | Top, Right & Opposite





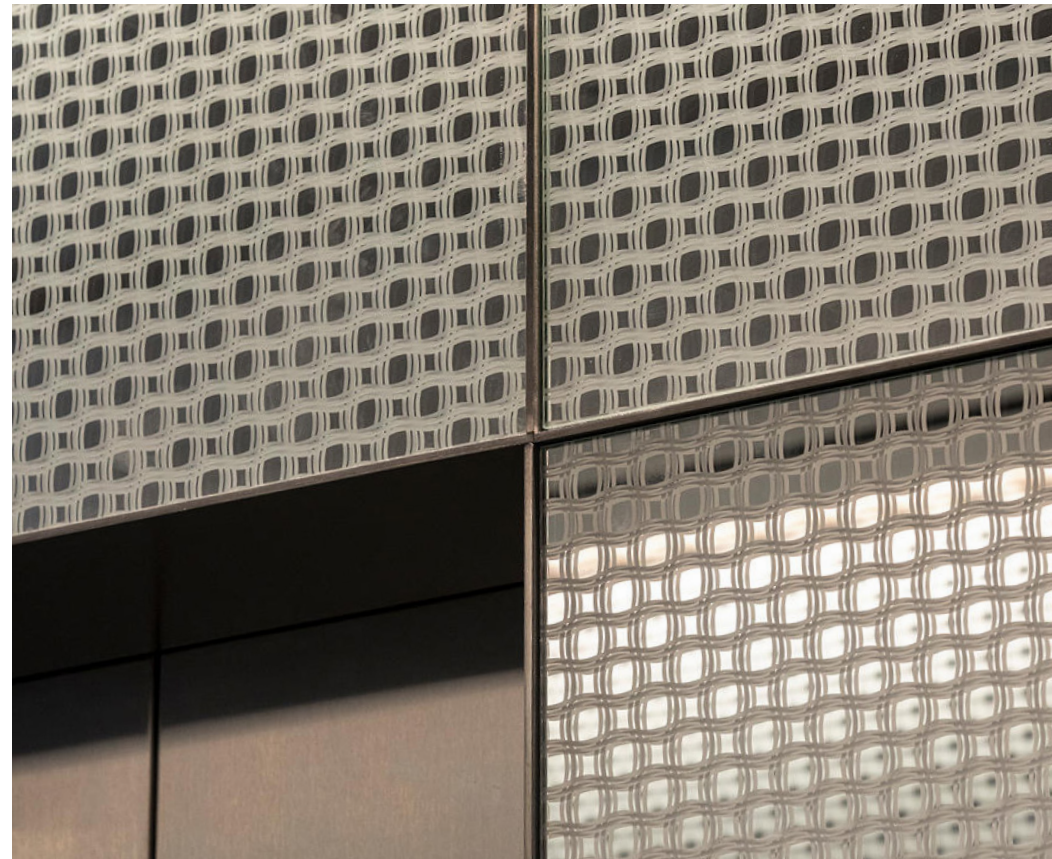


Austin-Bergstrom International Airport, Austin, Texas | Left, Top & Opposite
LEVELr Wall Cladding System with panels in ViviChrome Chromis glass with custom color
interlayer and Opalex finish, and custom reveal fins in black; upper-level corridor with
ViviGraphix Gradiance glass with Vapor pattern interlayer and Standard finish





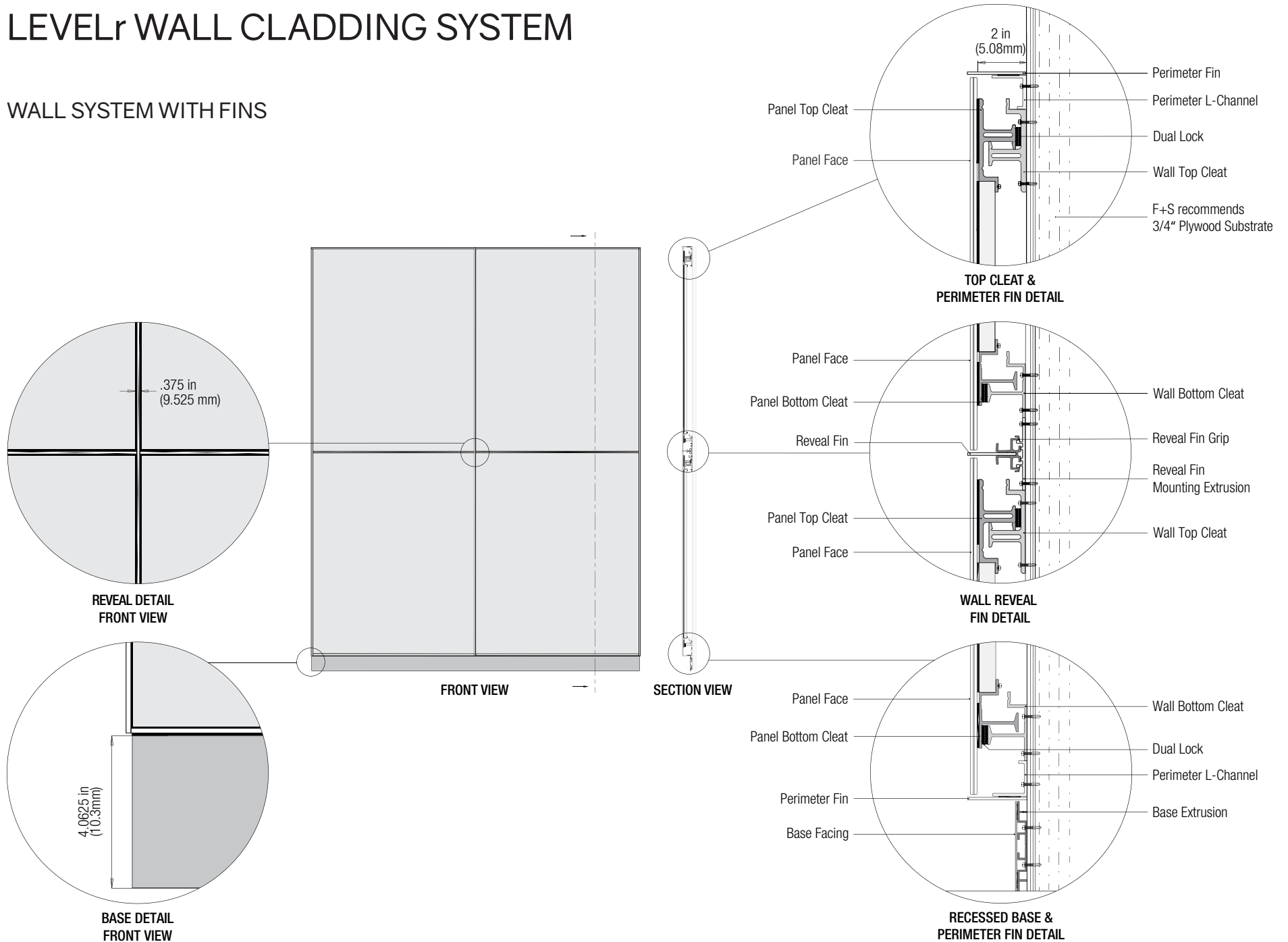
Frost Tower, San Antonio, Texas | Top, Right & Opposite
LEVELr Wall Cladding System with panels in ViviStrata Layers glass with custom etched pattern and Standard finish,
and reveal fins in stainless steel

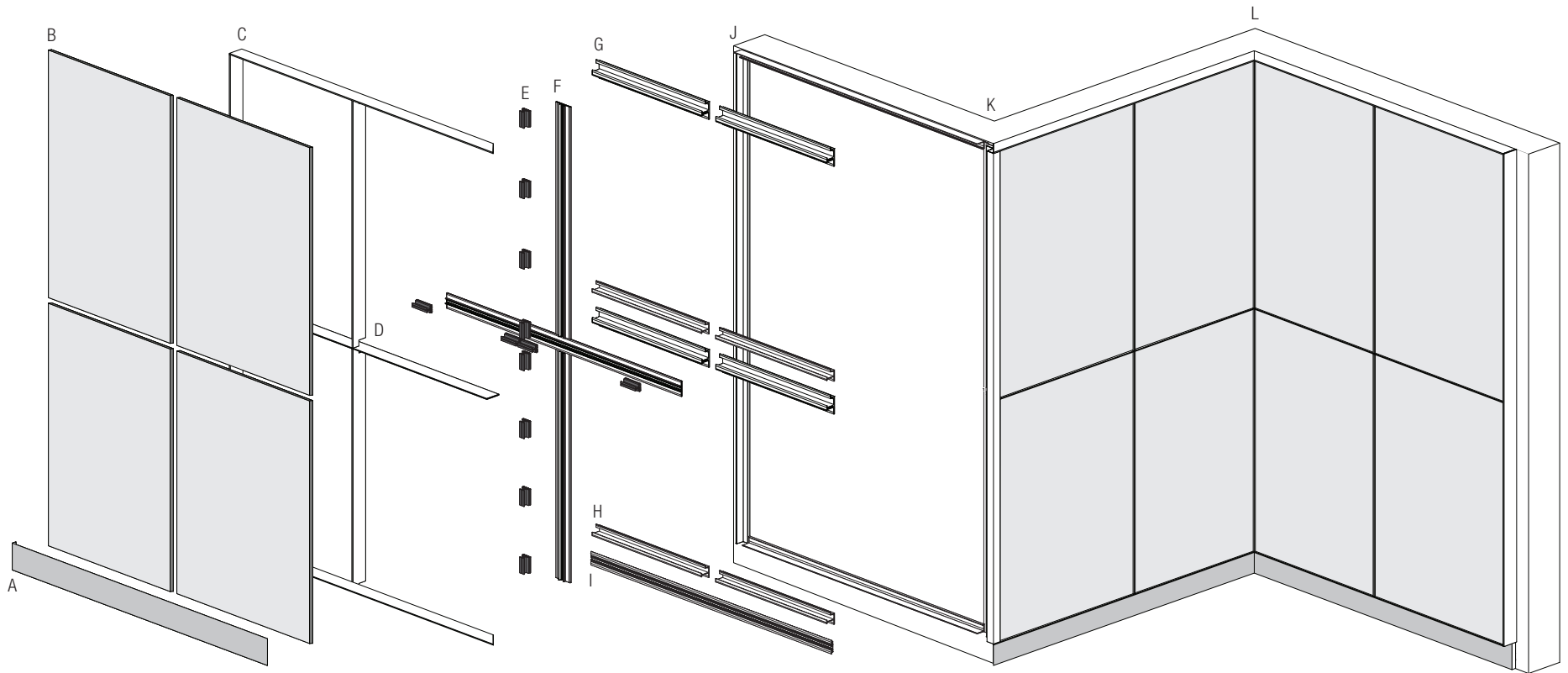




LEVELr WALL CLADDING SYSTEM

WALL SYSTEM WITH FINNS





A. Base Facing
 B. Wall Panel
 C. Perimeter Fin

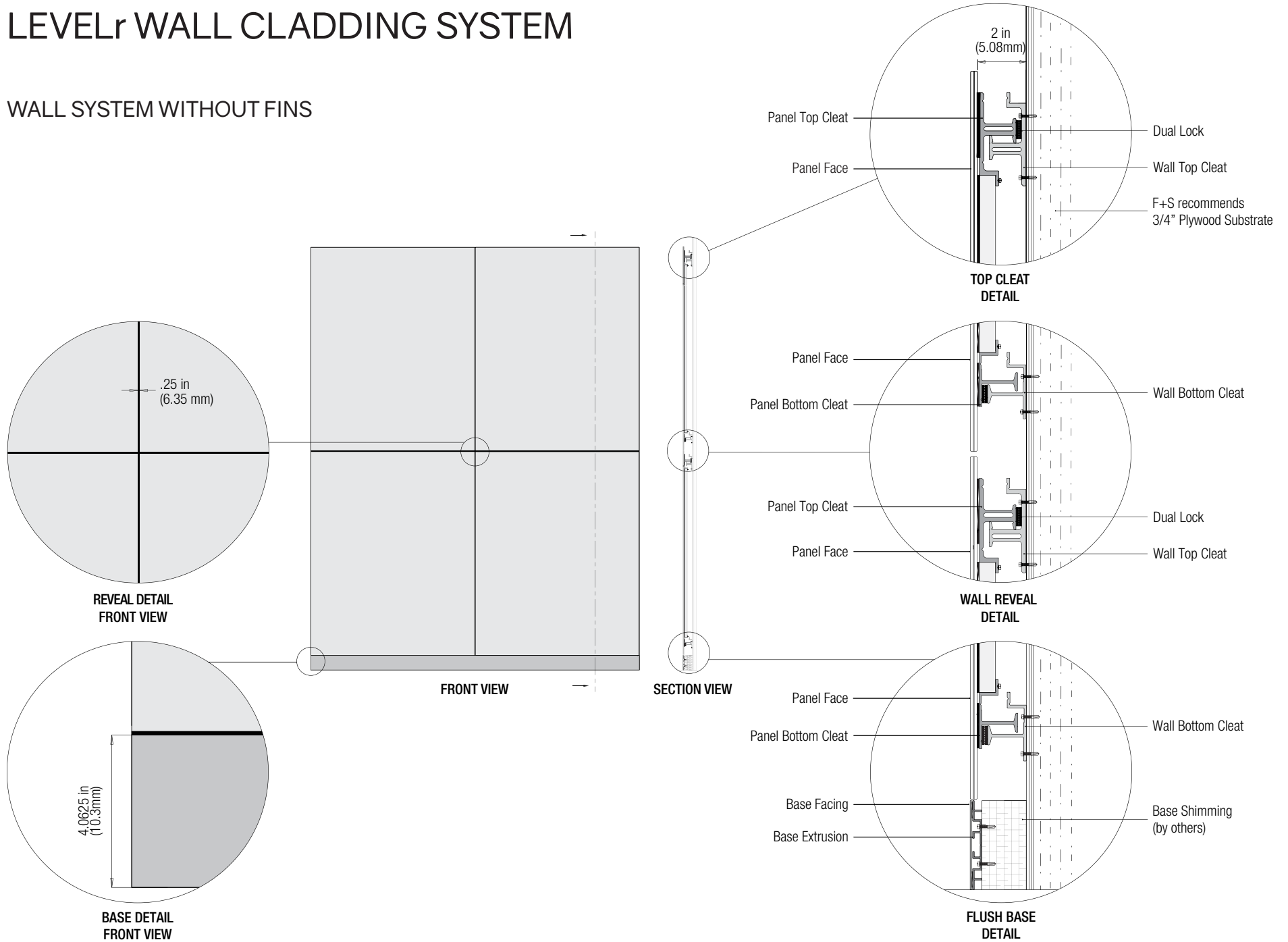
D. Reveal Fin
 E. Reveal Fin Grip
 F. Reveal Fin Mounting Extrusion

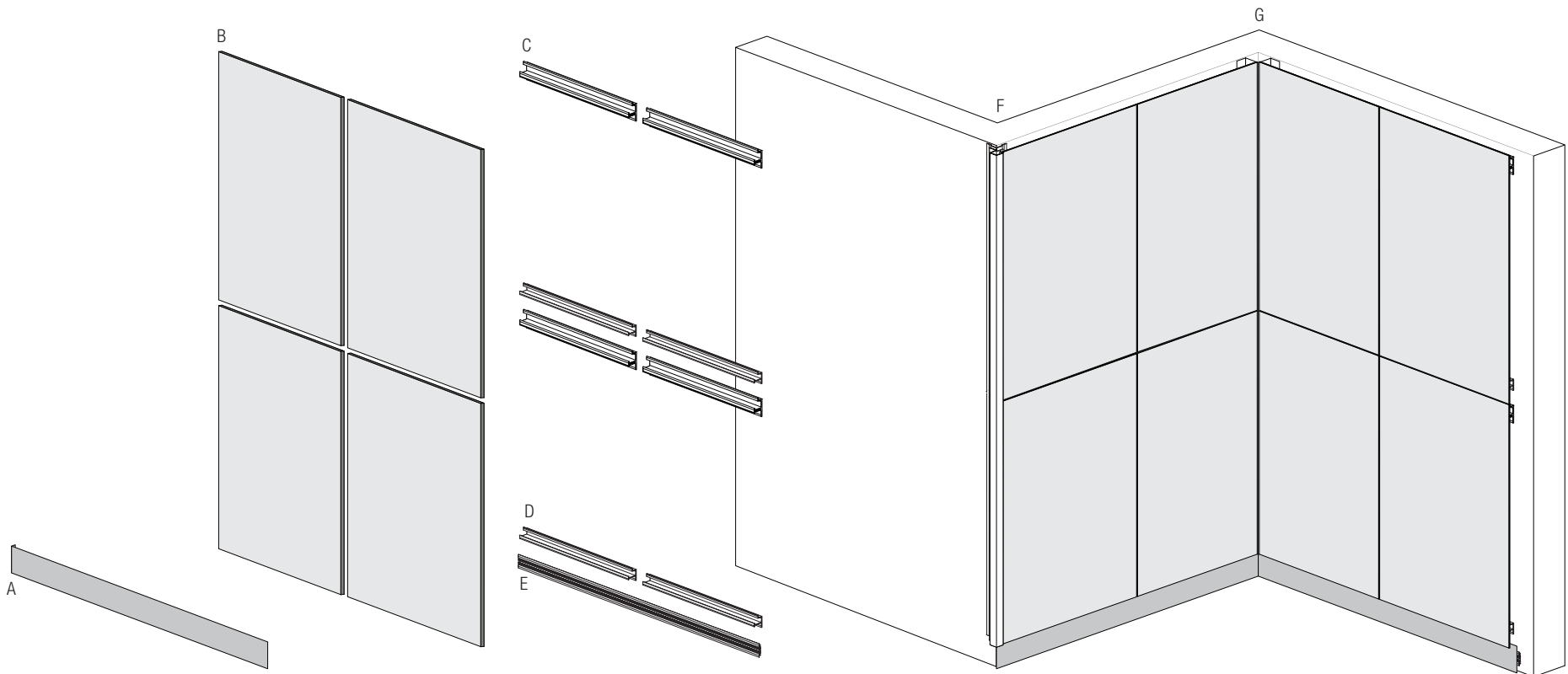
G. Top Cleat
 H. Bottom Cleat
 I. Base Extrusion

J. Perimeter L-Channel
 K. Outside Corner
 L. Inside Corner

LEVELr WALL CLADDING SYSTEM

WALL SYSTEM WITHOUT FINS





- A. Base Facing
- B. Wall Panel
- C. Top Cleat
- D. Bottom Cleat
- E. Base Extrusion
- F. Outside Corner

G. Inside Corner





COLUMNS

Columns can make a statement of their own or complement other architectural features. Engineered to accommodate real-world field conditions, Forms+Surfaces columns give you a wide range of material and finish options, maximum design versatility, and numerous ways to meet project-specific requirements for columns of many shapes and sizes.



LEVELe COLUMN SYSTEM

Pairing the benefits of a panelized system with diverse material options, the LEVELe Column System is appropriate for square and rectangular column shapes.

The LEVELe Column System is assembled using a series of individual panels whose sizes and shapes can vary depending on project requirements. Aluminum panel frames incorporate LEVELe's panel attachment system; panel insets draw from our full Surfaces line-up. Third-party inset materials and LightPlane Panels are options as well. Bases and outside corners complete the system, and, like the panels, have sufficient tolerances built in to accommodate many site and dimensional irregularities

The LEVELe Column System coordinates with our LEVELe Wall Cladding System and LEVELe Elevator Interiors.

LEVELe Column System with Capture panels in ViviStone Honey Onyx glass with Pearlex+ finish | Left

6 Results Way, Cupertino, California | Opposite

LEVELe Column System with Minimal panels in Bonded Bronze with Natural Patina and Delta pattern

140 Broadway, New York, New York | Previous

LEVELe Column System with LightPlane Panels in ViviChrome Chromis glass with White interlayer and Opalex finish, and Blind panels in aluminum with custom powdercoat color





140 Broadway, New York, New York | Left
LEVELe Column System with LightPlane Panels in ViviChrome Chromis glass with White interlayer and Opalex finish, and Blind panels in aluminum with custom powdercoat color

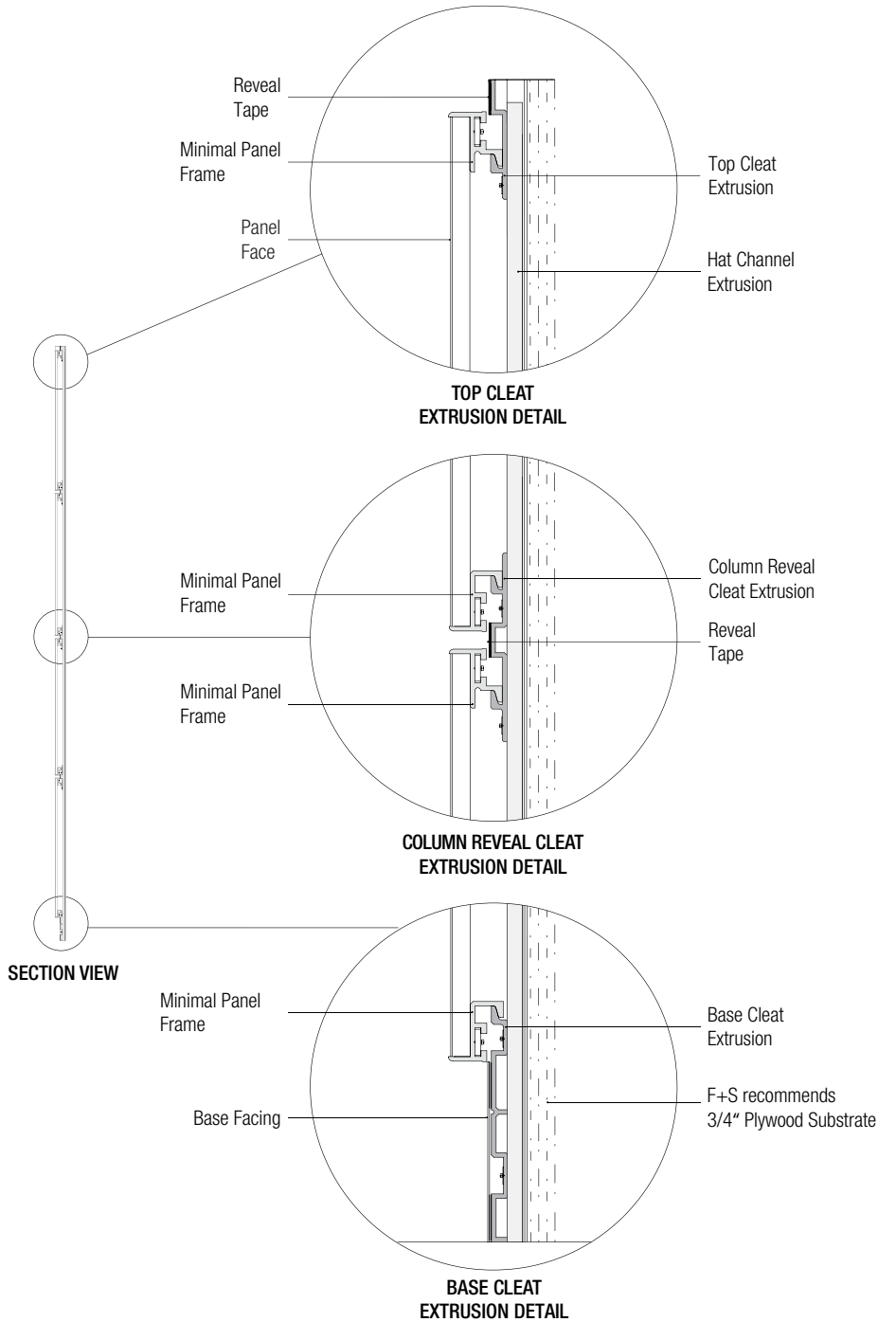
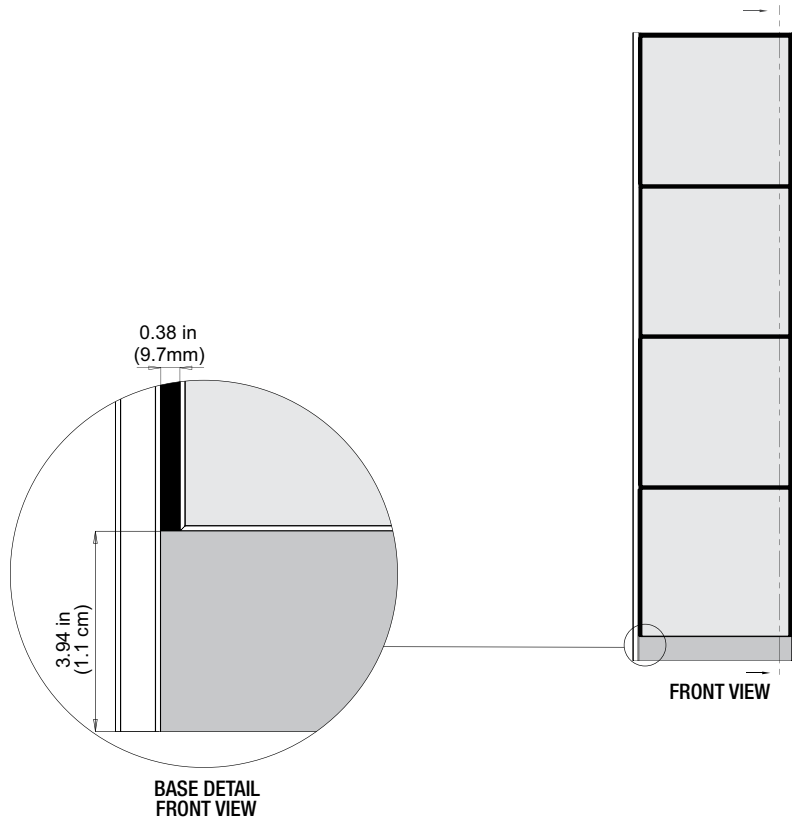
Bank of America Plaza, Nashville, Tennessee | Top & Opposite
LEVELe Column System with Capture panels in ViviChrome Chromis glass with White interlayer and Opalex finish



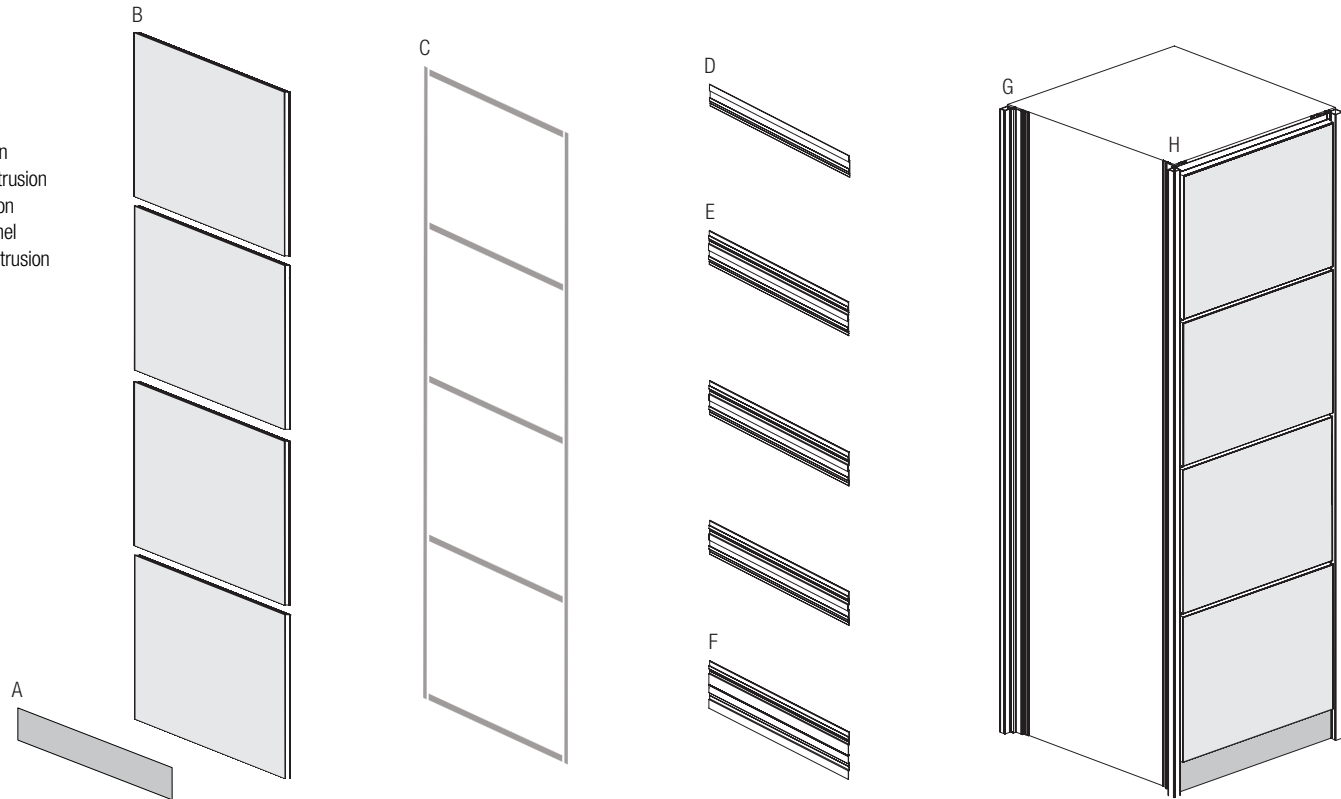
LEVELe COLUMN SYSTEM

COLUMN SYSTEM DETAILS - MINIMAL PANELS SHOWN

All LEVELe panel types are available. See pages 14-17 for details.



- A. Base Facing
- B. Column Panel
- C. Reveal Tape
- D. Top Cleat Extrusion
- E. Column Reveal Extrusion
- F. Base Cleat Extrusion
- G. Perimeter L-Channel
- H. Outside Corner Extrusion





LEVELr COLUMN SYSTEM

The LEVELr Column System carries the frameless panel aesthetic of the LEVELr Wall Cladding System into a column format for square and rectangular column shapes.

LEVELr column panels accommodate many F+S Surfaces without a visible framing element. Narrow reveals between panels keep the installed look clean. For added refinement, optional 1/8" proud stainless steel fins can be incorporated between panels and/or at column perimeters—a detail that lends an exquisite finish. Bases and outside open and closed corners expand the customization potential. The system's 2" depth provides room to manage wiring, electronics and air flow between the column substrate and the panel backs.

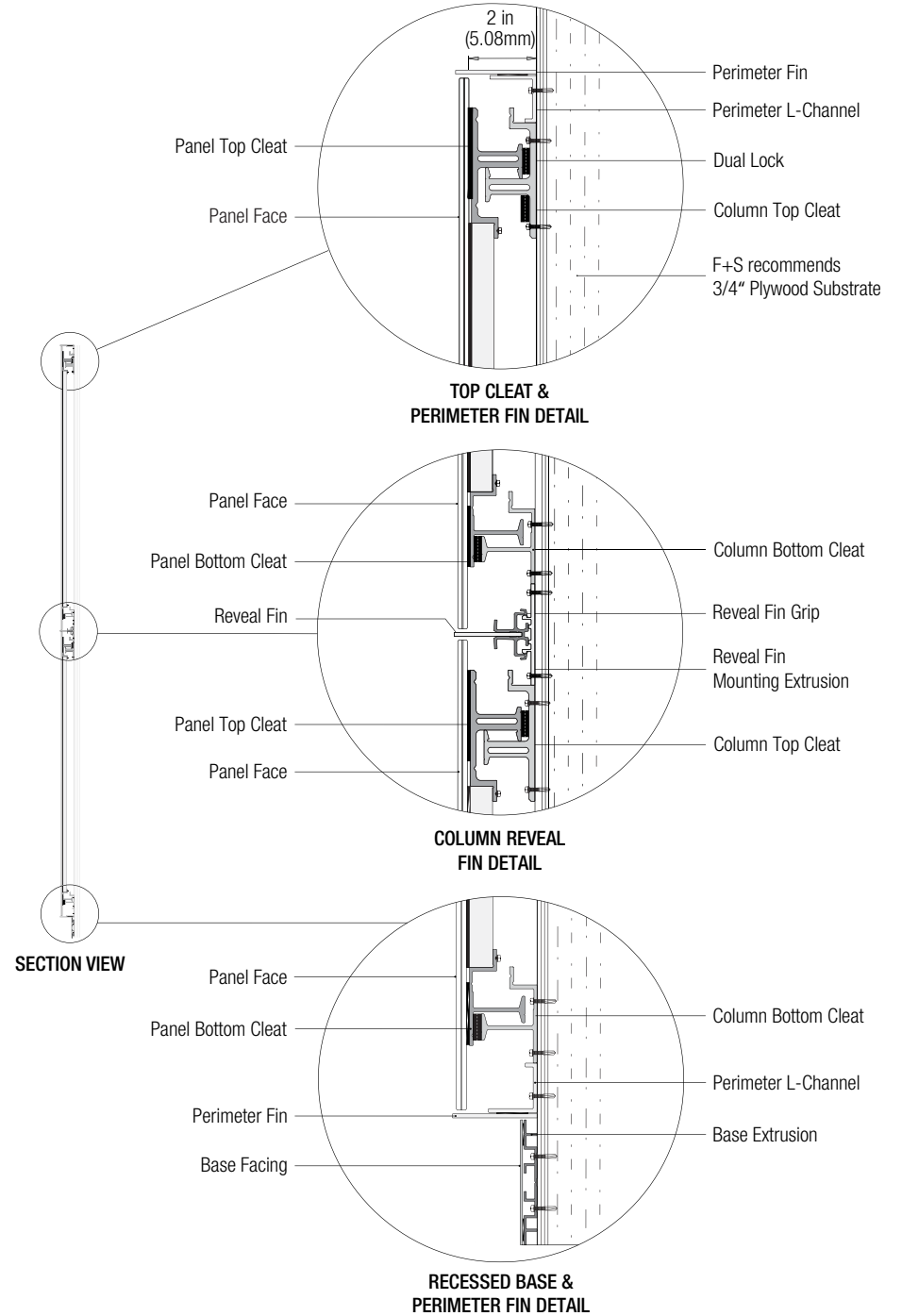
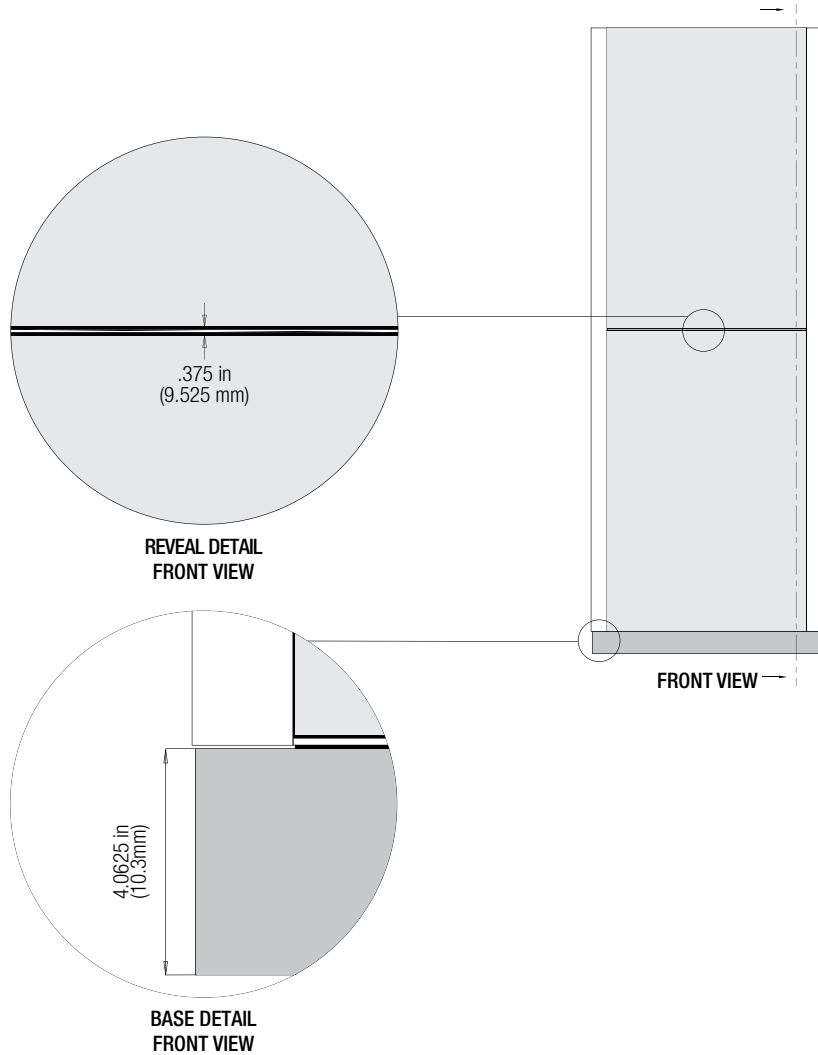
The LEVELr Column System coordinates with our LEVELr Wall Cladding System.

Austin-Bergstrom International Airport, Austin, Texas | Left & Opposite
LEVELr Column System with insets in ViviChrome Chromis glass in custom color interlayer, and custom reveal fins in black

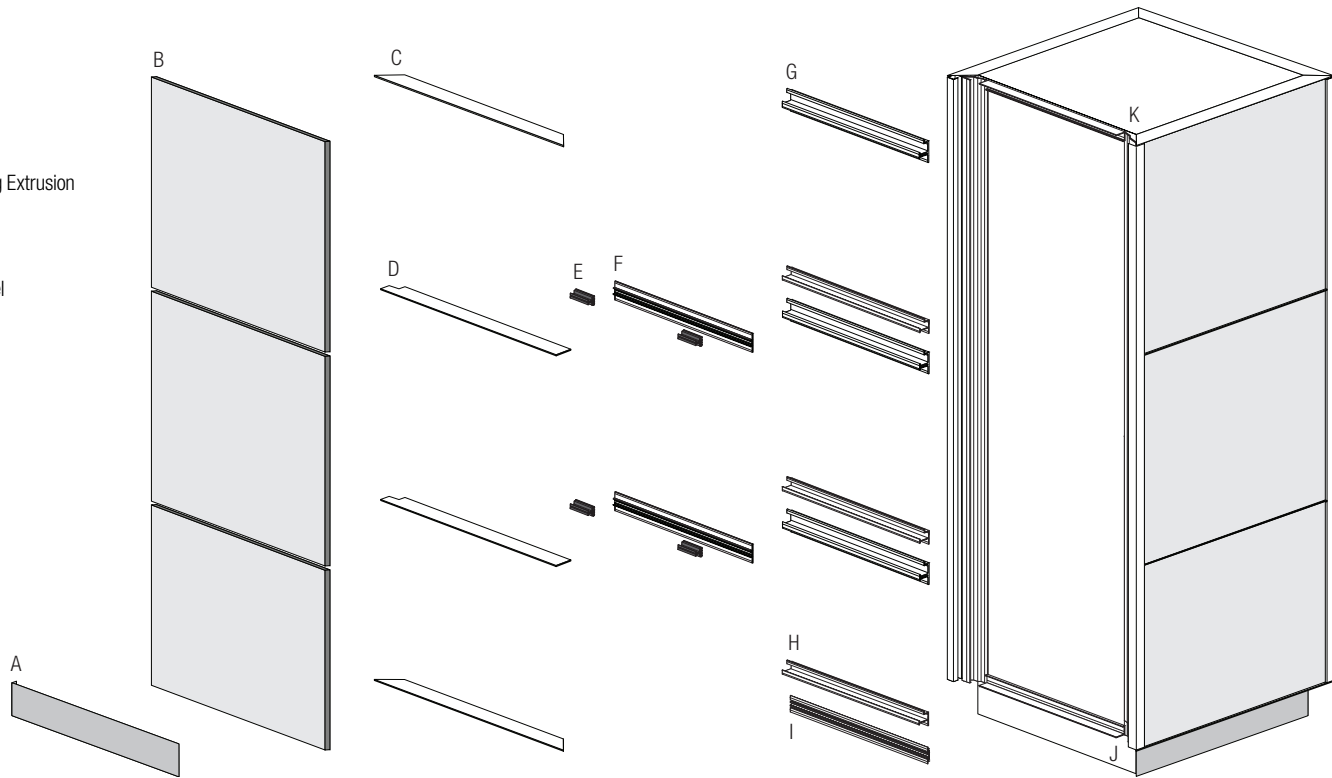


LEVELr COLUMN SYSTEM

COLUMN SYSTEM WITH FINIS

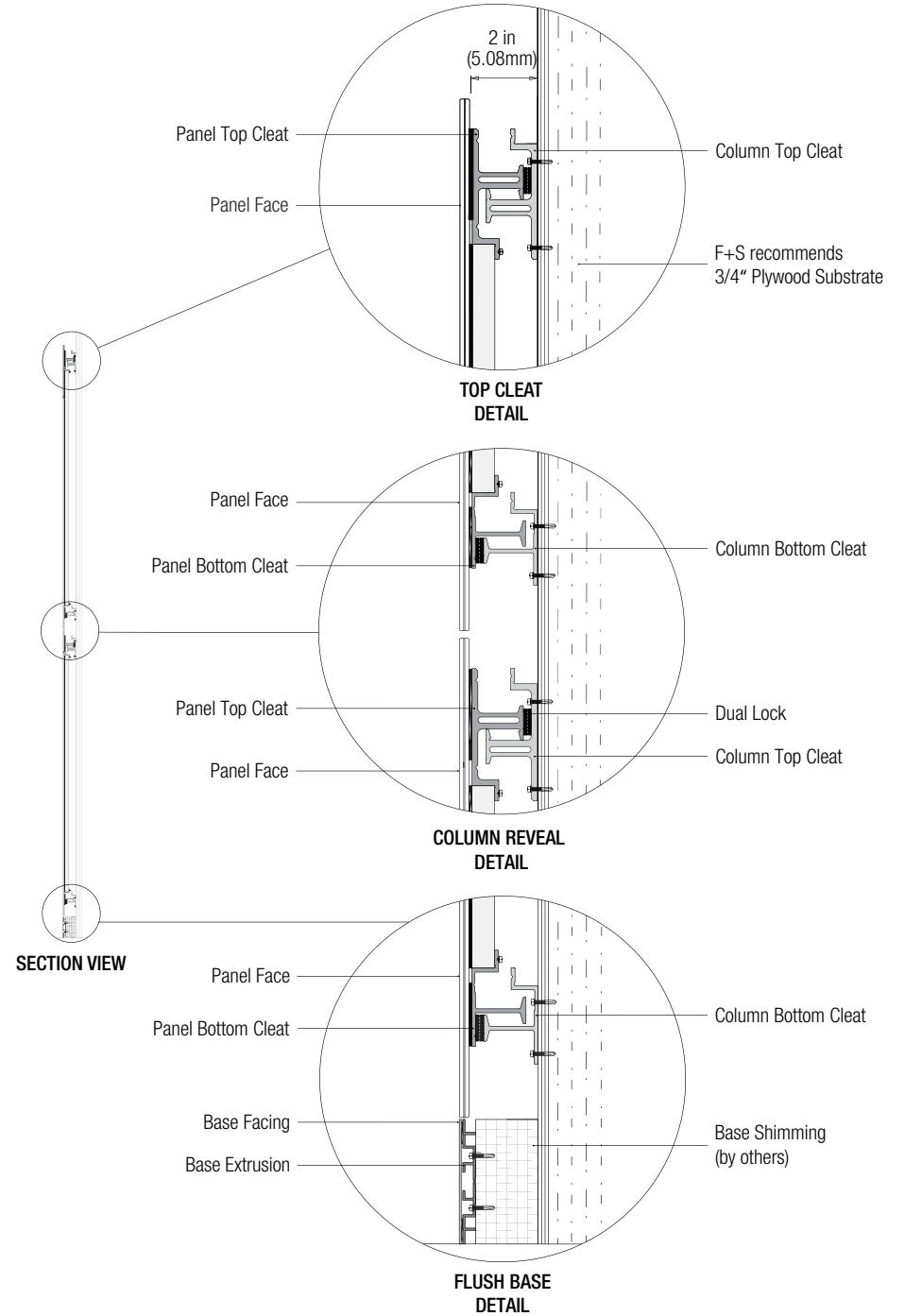
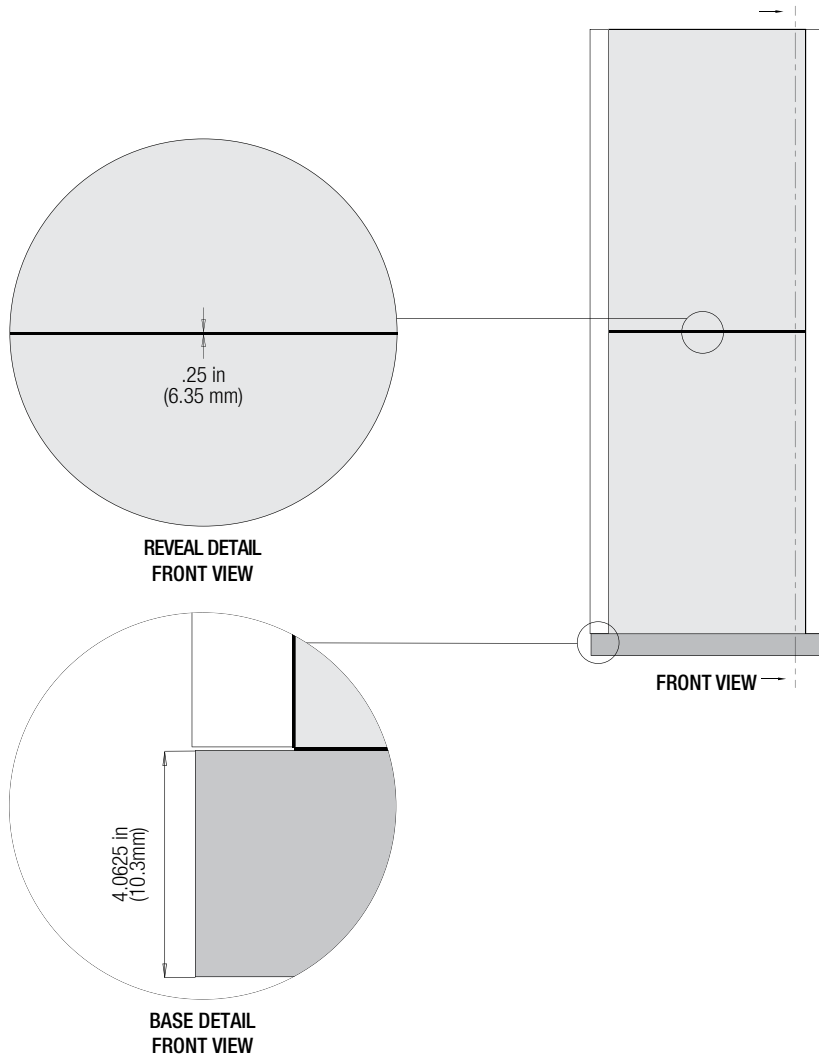


- A. Base Facing
- B. Column Panel
- C. Perimeter Fin
- D. Reveal Fin
- E. Reveal Fin Grip
- F. Reveal Fin Mounting Extrusion
- G. Top Cleat
- H. Bottom Cleat
- I. Base Extrusion
- J. Perimeter L-Channel
- K. Outside Corner

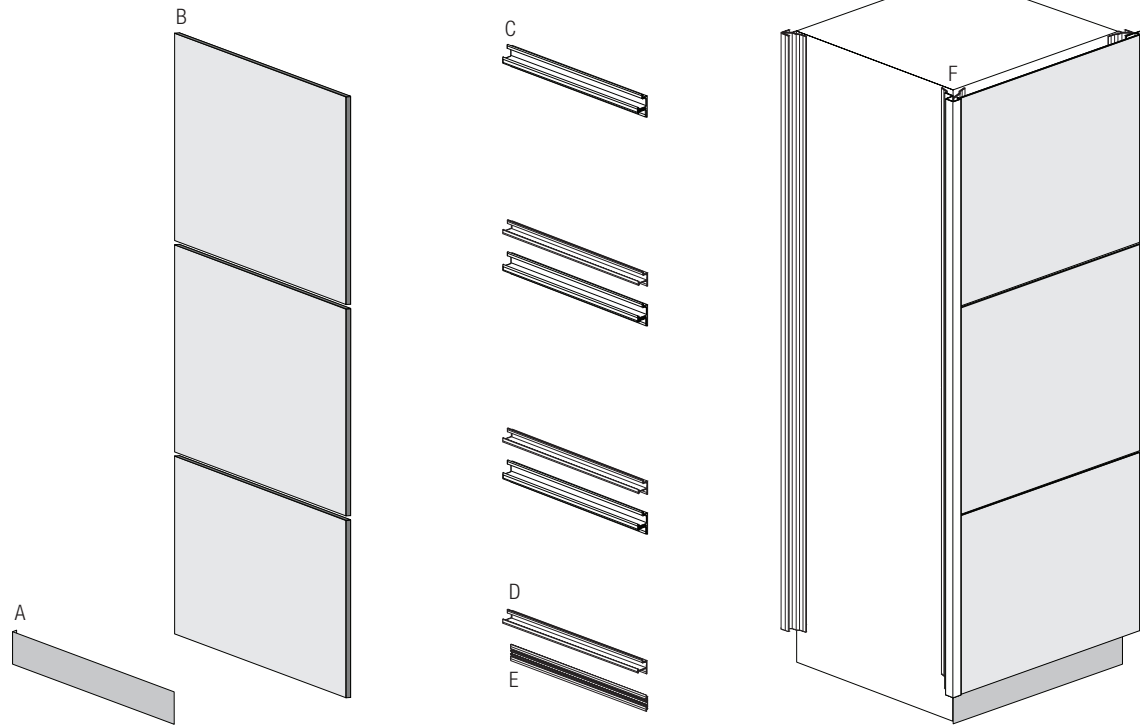


LEVELr COLUMN SYSTEM

COLUMN SYSTEM WITHOUT FINS



- A. Base Facing
- B. Column Panel
- C. Top Cleat
- D. Bottom Cleat
- E. Base Cleat Extrusion
- F. Outside Corner





LEVELc COLUMN SYSTEM

The LEVELc Column System is a durable, versatile solution for cladding existing structural columns.

Offering impressive design flexibility, the system consists of column covers in stainless steel and Fused Metal, each in a wide range of finishes and patterns. Coordinating bases and other trim elements round out the options.

The LEVELc Column System is expertly engineered and tailored per project to suit real-world field conditions. It can be adapted for a wide range of performance and site-specific criteria, used with round, square, elliptical or irregularly shaped columns, and is a great way to complement other architectural elements within a space.

Nationwide Children's Hospital - Research Building III, Columbus, Ohio | Left
LEVELc Column System with column cover in Stainless Steel with Seastone finish

Salem State University, Salem, Massachusetts | Opposite
LEVELc Column System with column cover in Stainless Steel with Sandstone finish and Kalahari Impression pattern





426 West Lancaster Avenue, Devon, Pennsylvania | Left
LEVELc Column System with column cover in Elemental Carbon with Ice finish

Serenia The Palm, Dubai | Bottom
LEVELc Column System with column cover in Fused Bronze with Sandstone finish

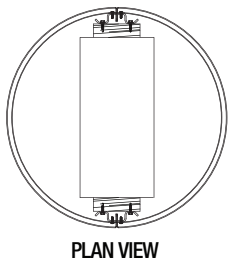
Suntrust International Center, Miami, Florida | Opposite
LEVELc Column System with column cover in Stainless Steel with Seastone finish; lighting by others



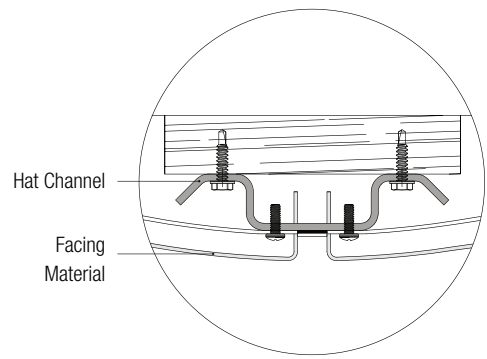


LEVELc COLUMN SYSTEM

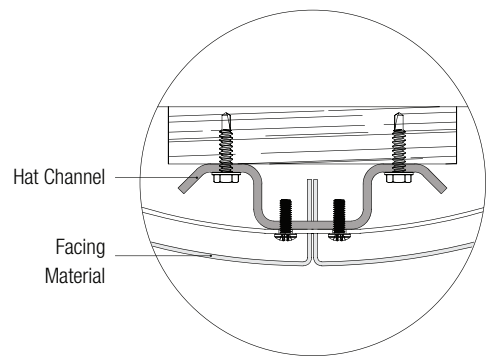
ROUND COLUMN COVER DETAILS



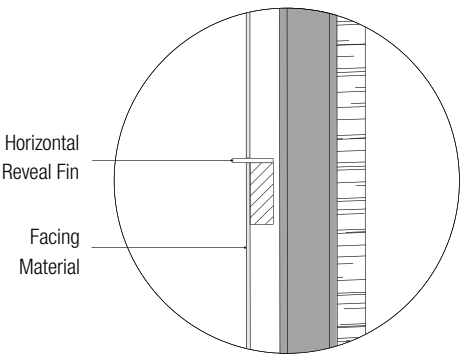
PLAN VIEW



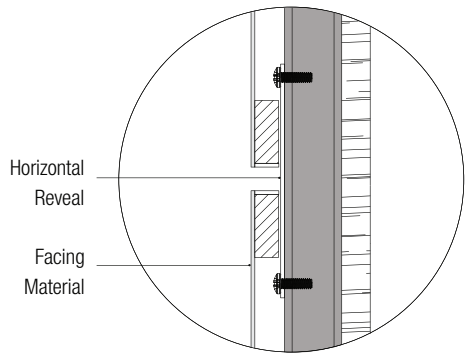
VERTICAL REVEAL



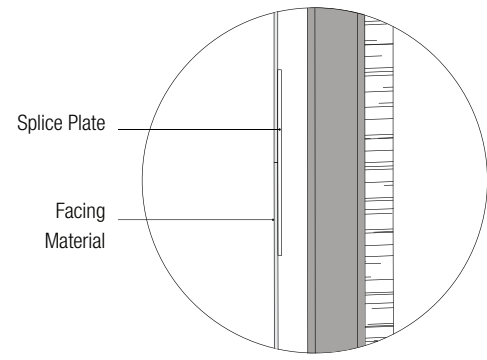
VERTICAL HAIRLINE SEAM



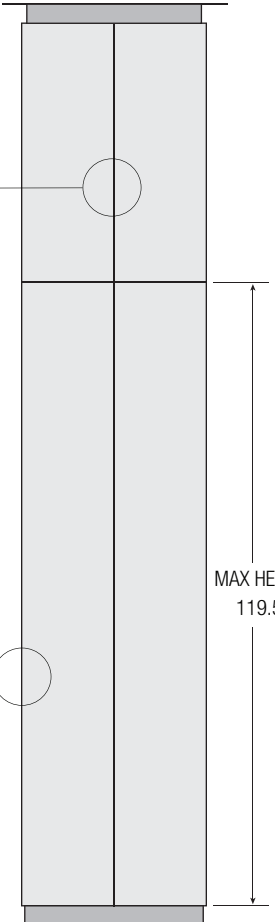
HORIZONTAL HAIRLINE SEAM WITH REVEAL FIN



HORIZONTAL REVEAL



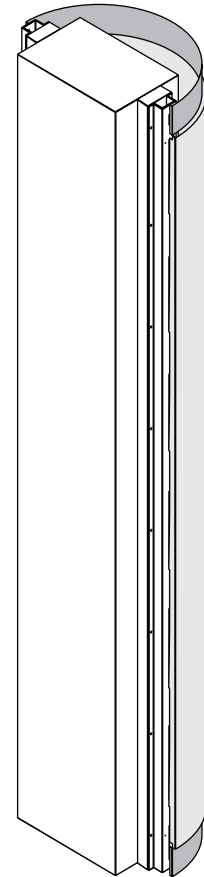
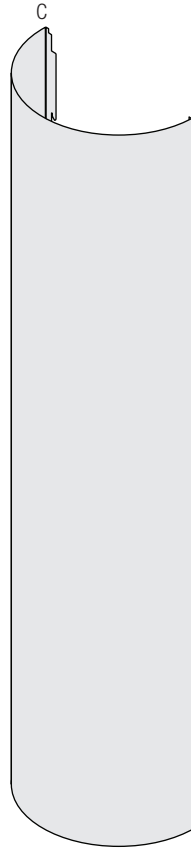
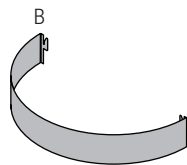
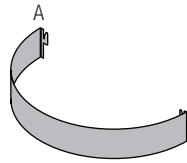
HORIZONTAL HAIRLINE SEAM



FRONT VIEW

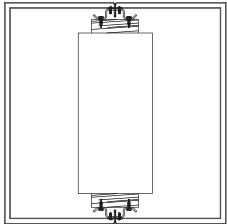
MAX HEIGHT
119.5"

- A. Trim Ring
- B. Base Facing
- C. Facing Material
- D. Hat Channel

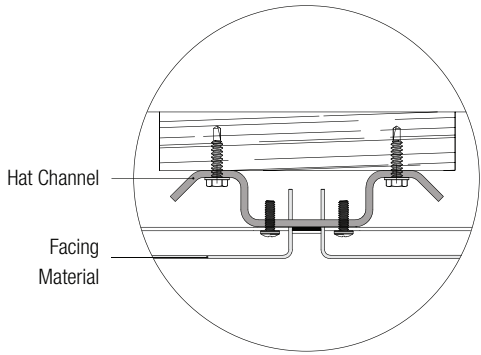


LEVELc COLUMN SYSTEM

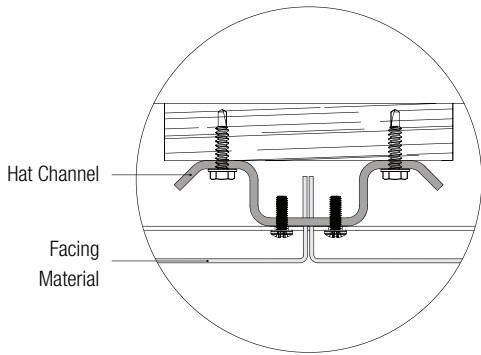
SQUARE COLUMN COVER DETAILS



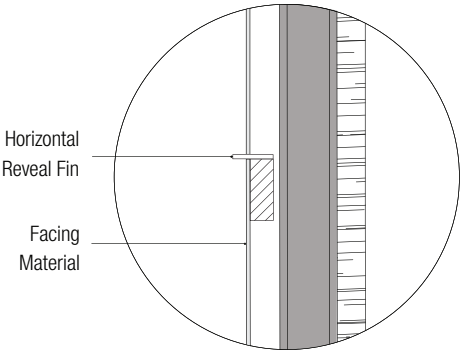
PLAN VIEW



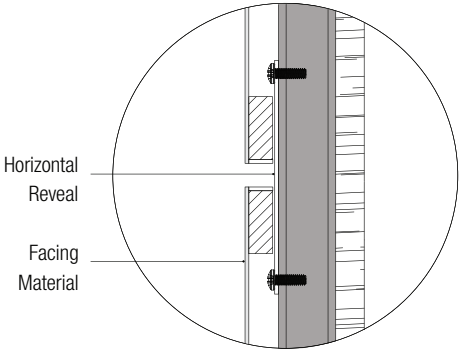
VERTICAL REVEAL



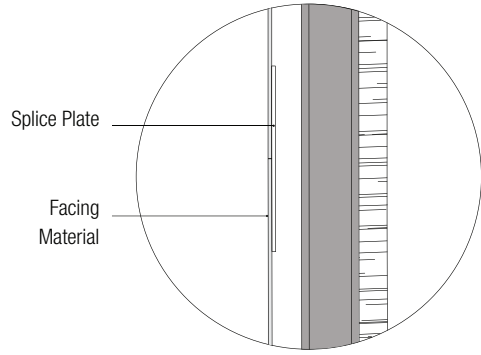
VERTICAL HAIRLINE SEAM



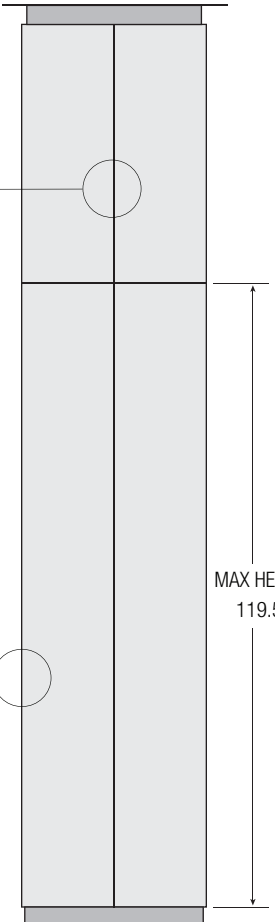
HORIZONTAL HAIRLINE SEAM WITH REVEAL FIN



HORIZONTAL REVEAL



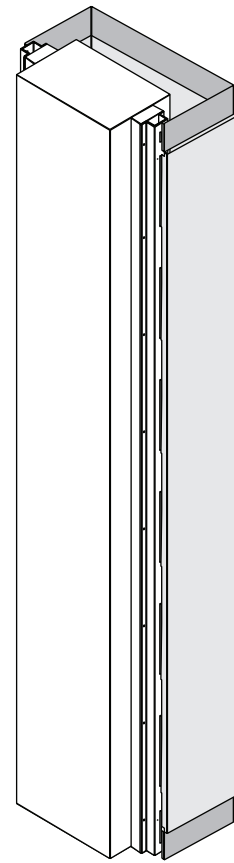
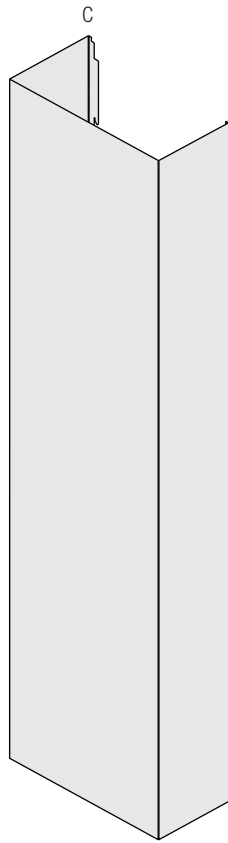
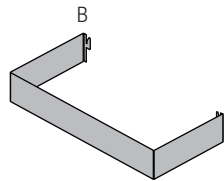
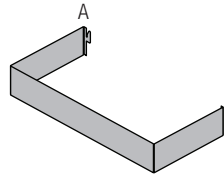
HORIZONTAL HAIRLINE SEAM



FRONT VIEW

MAX HEIGHT
119.5"

- A. Trim Ring
- B. Base Facing
- C. Facing Material
- D. Hat Channel







LIGHTPLANE PANELS

LightPlane Panels are engineered, edge-lit LED panels that allow you to seamlessly illuminate walls, columns, elevator interiors, and standalone panels and displays. LightPlane Panels combine our cutting-edge lighting technology, VividGlass laminated glass or CastGlass in Levels configuration, and a highly engineered framing system to create an illuminated panel unlike any other.



LIGHTPLANE PANELS

With a remarkably thin profile and a minimal bezel, LightPlane Panels provide uniform light output, energy efficiency, and the unparalleled performance of Cree® LEDs. Each LightPlane panel is manufactured with a size-specific algorithm to ensure the look of even, natural light, and eliminate hot spots, haloes or dark areas.

LightPlane Panels represent a complete system that can be easily configured to project-specific needs. Standard packages include edge-lit LED panels with VividGlass or CastGlass in Levels configuration, power source with dimming controls and wiring, and mounting cleat extrusion.

LightPlane Panels readily integrate with our LEVELe Wall Cladding System, LEVELe Column System and LEVELe Elevator Interiors. They can also be specified as standalone panels.

Blue Cross Blue Sheild of Kansas City, Kansas City, Missouri | Left
LightPlane Panels in ViviSpectra Spectrum glass with custom image interlayer and Standard finish

1 Tenth, San Francisco, California | Opposite
LightPlane Panels in ViviChrome Chromis glass with White interlayer and Opalex Finish

Private Location, Short Hills, New Jersey | Previous
LightPlane Panels in ViviChrome Chromis glass with Seaglass interlayer and Pearlex+ finish





The Mother Baby Center at Abbott Northwestern and Children's Hospitals & Clinics, Minneapolis, Minnesota
| Left
LightPlane Panels in ViviSpectra Spectrum glass with custom image interlayer and Standard finish

Axis Apartments & Lofts, Chicago, Illinois | Opposite
LightPlane Panels in ViviSpectra Elements glass with Acero interlayer and Pearlex+ finish





5 Post Oak Park, Houston, Texas | Left
 LEVELe Wall Cladding System with LightPlane Panels in ViviChrome Chromis glass with White interlayer and Opalex finish; LEVELe-104 Elevator Interior with LightPlane Panel in ViviGraphix Graphica glass with custom graphic interlayer and Pearlex+ finish

5 Post Oak Park, Houston, Texas | Top
 Reception desks with LightPlane Panels in ViviGraphix Graphica glass with custom graphic interlayer and Pearlex+ finish

Esperson Buildings, Houston, Texas | Opposite
 LightPlane Panels in ViviGraphix Graphica glass with custom graphic interlayer and Standard finish





NASA Human Health & Performance Laboratory (Building 21), Houston, Texas | Left
LEVELe-107 Elevator Interior with LightPlane Panels in ViviChrome Chromis glass with Seaglass interlayer and Opalex finish, and Capture panels in Stainless Steel with Sandstone finish with and without Dallas Impression pattern

NASA Human Health & Performance Laboratory (Building 21), Houston, Texas | Bottom
LightPlane Panels in ViviChrome Chromis glass with Seaglass interlayer and Opalex finish

Rookwood Exchange, Cincinnati, Ohio | Opposite
LightPlane Panels in ViviChrome Chromis glass with White interlayer and Opalex finish







Pacific Corporate Towers, El Segundo, California | Top & Right
LEVELe Wall Cladding System with LightPlane Panels in ViviChrome Chromis glass
with White interlayer and Opalex finish

Nashville Airport Marriott, Nashville, Tennessee | Opposite
LightPlane Panels in ViviSpectra Spectrum glass with custom interlayer and Standard finish







Westfield Century City, Los Angeles, California | Left, Bottom & Opposite
LEVELe-106 Elevator Interiors with LightPlane Panels in ViviSpectra Spectrum glass with custom image interlayers
and Standard finish, and Capture panels in Stainless Steel with Sandstone finish







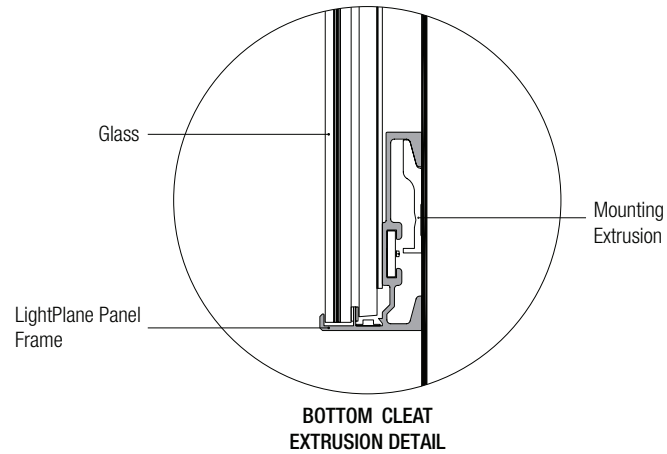
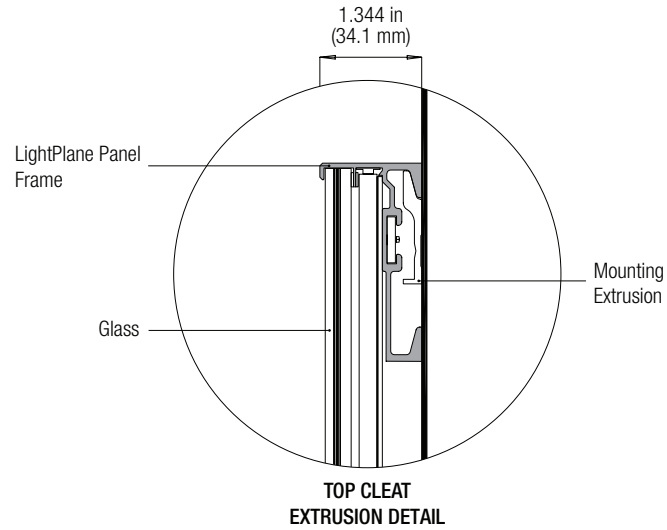
11645 Wilshire Blvd, Los Angeles, California | Left
LEVELe-105 Elevator Interior with LightPlane Panels in
ViviSpectra Zoom glass with Prince William Forest interlayer
and Pearlex+ finish, and Capture panels in Bonded Nickel
Silver with Natural Patina and Charleston pattern, and Fused
Nickel Silver with Diamond finish

11645 Wilshire Blvd, Los Angeles, California | Opposite
LEVELe Wall Cladding System with LightPlane Panels in
ViviSpectra Zoom glass with Iceland Canyon interlayer and
Standard finish, and Capture panels in Fused Nickel Silver
with Mist finish

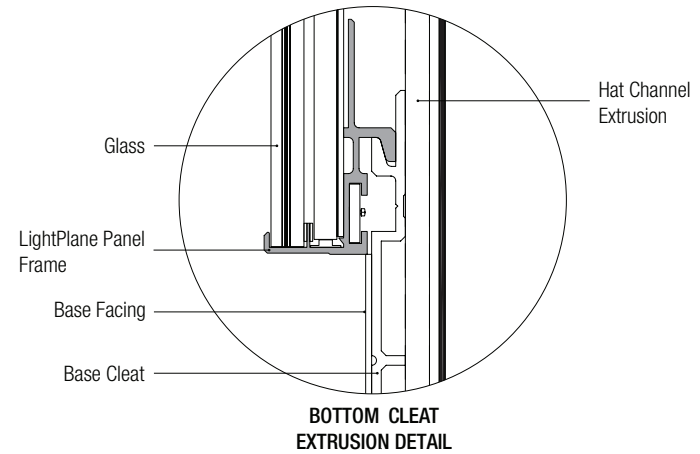
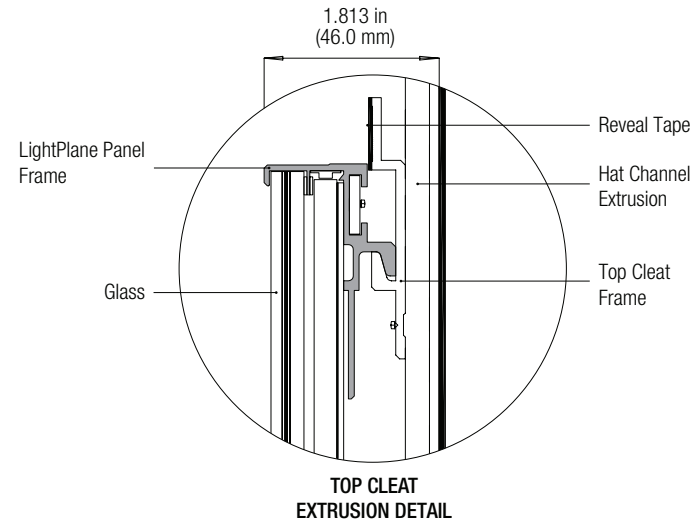


LIGHTPLANE PANELS

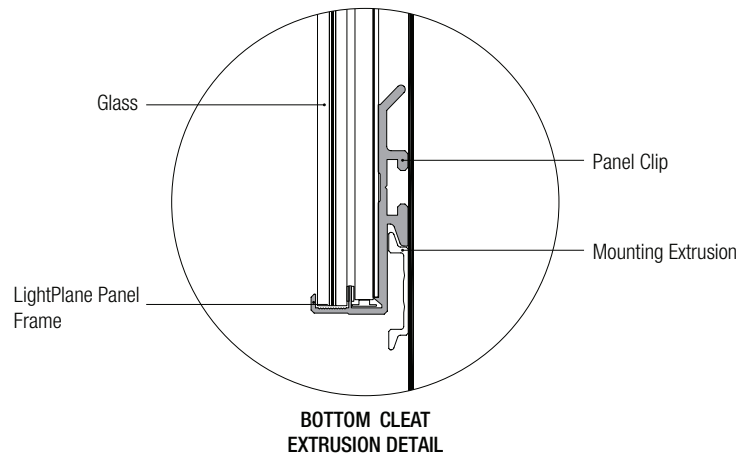
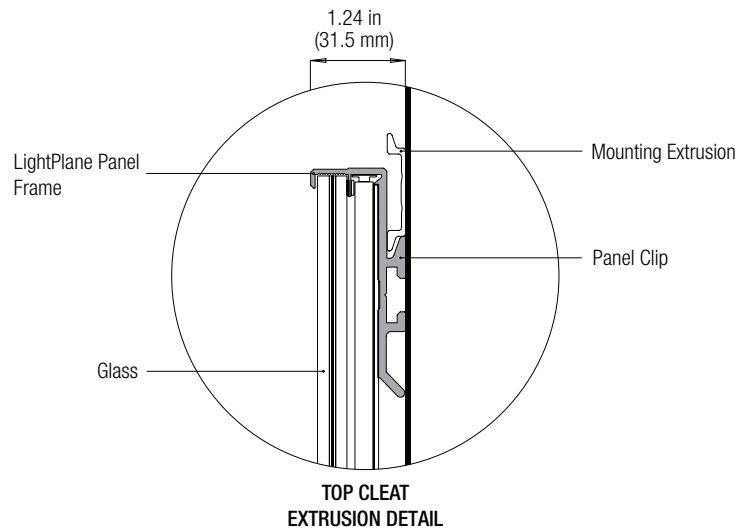
STANDALONE PANELS



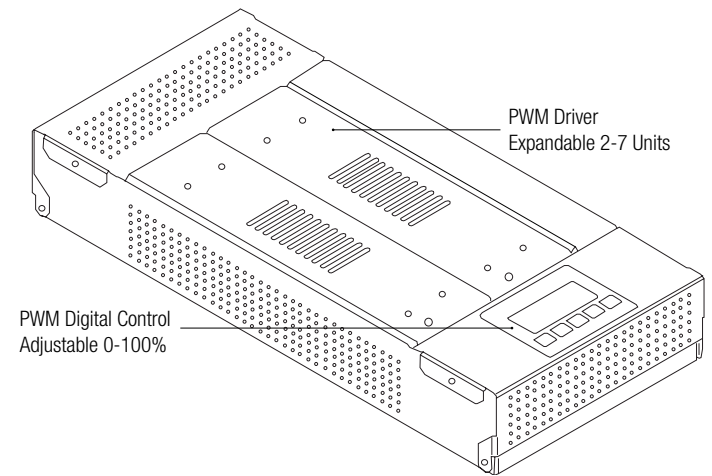
LEVELe WALL CLADDING SYSTEM PANELS



LEVEL_e ELEVATOR INTERIOR PANELS



LIGHTPLANE PANEL POWER BOX







ELEVATOR INTERIORS

Ideal for new or modernization projects, our elevator interior systems give you countless options for meeting a wide range of aesthetic, performance and budgetary requirements. Featuring versatile wall panel layouts that can be configured in numerous ways, complete packages draw on our full Surfaces line-up and suit typical cab sizes and door configurations.



LEVELe ELEVATOR INTERIORS

LEVELe Elevator Interiors bring the benefits of the LEVELe system to the elevator interior. As with LEVELe Wall Cladding, this versatile panelized system is based on self-revealing extrusion channels, aluminum-framed panels with a lightweight structural backing, and diverse material options. Different configurations broadly defined by wall panel shape and layout invite you to select materials and finishes from our extensive Surfaces palette. Third-party inset materials and LightPlane Panels can be incorporated as well. Complete LEVELe Elevator Interior packages include wall panels, bases, reveals, and installation hardware. Ceilings with or without lighting and handrails are optional.

LEVELe Elevator Interiors can be configured using our interactive Elevator Design Studio, as outlined on page 110.

AIG American International Group, Houston, Texas | Left

LEVELe-106 Elevator Interior: LightPlane Panels in ViviStone Opal Onyx glass with Pearlex+ finish; Capture panels in ViviChrome Chromis glass with Taupe interlayer, Stainless Steel with Seastone finish, and Bonded Nickel Silver with Dark Patina and Grass pattern

Twelve | Twelve, Nashville, Tennessee | Opposite

LEVELe-102 Elevator Interior with Capture panels in Bonded Aluminum with Dark Patina and Charleston pattern and American Walnut wood veneer

Chase Tower, Austin, Texas | Previous

LEVELe-102 Elevator Interior with Capture panels in ViviGraphix Graphica glass with custom Surge interlayer and Standard finish, and ViviChrome Chromis glass with Ice Grey interlayer and Opalex finish





Grand Hyatt Washington, Washington, D.C. | Left
LEVELe-105 Elevator Interior with Capture panels in
ViviGraphix Graphica glass with customized Silkworm interlayer
and Standard finish, and Bonded Bronze with Dark Patina and
Rain pattern

MGM Healthcare, Chennai, India | Opposite
LEVELe-101 Elevator Interior with Capture panels in Bonded
Bronze with Dark Patina and Grass pattern, Fused White Gold
with Linen finish, and Fused Nickel Bronze with Linen finish



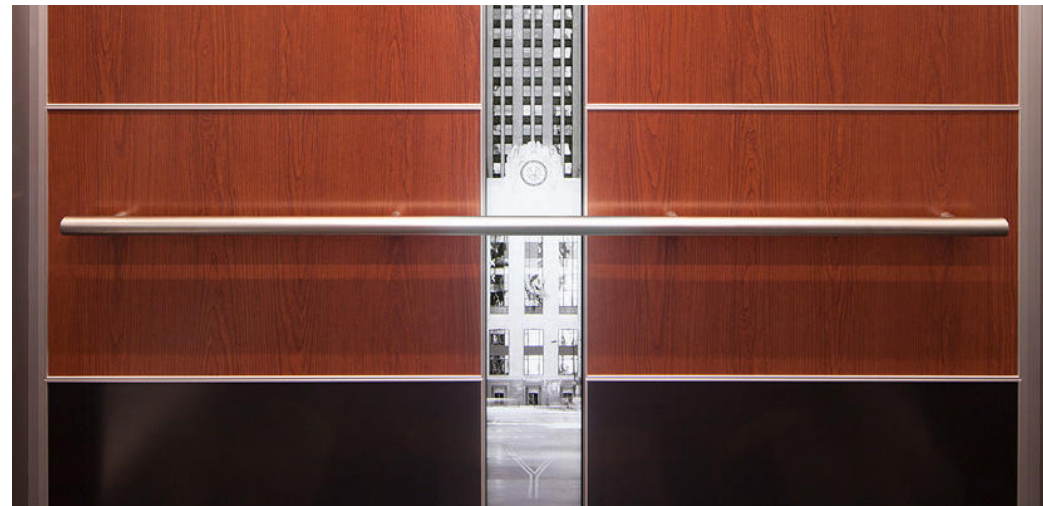


Sallie Mae, Newark, Delaware | Left

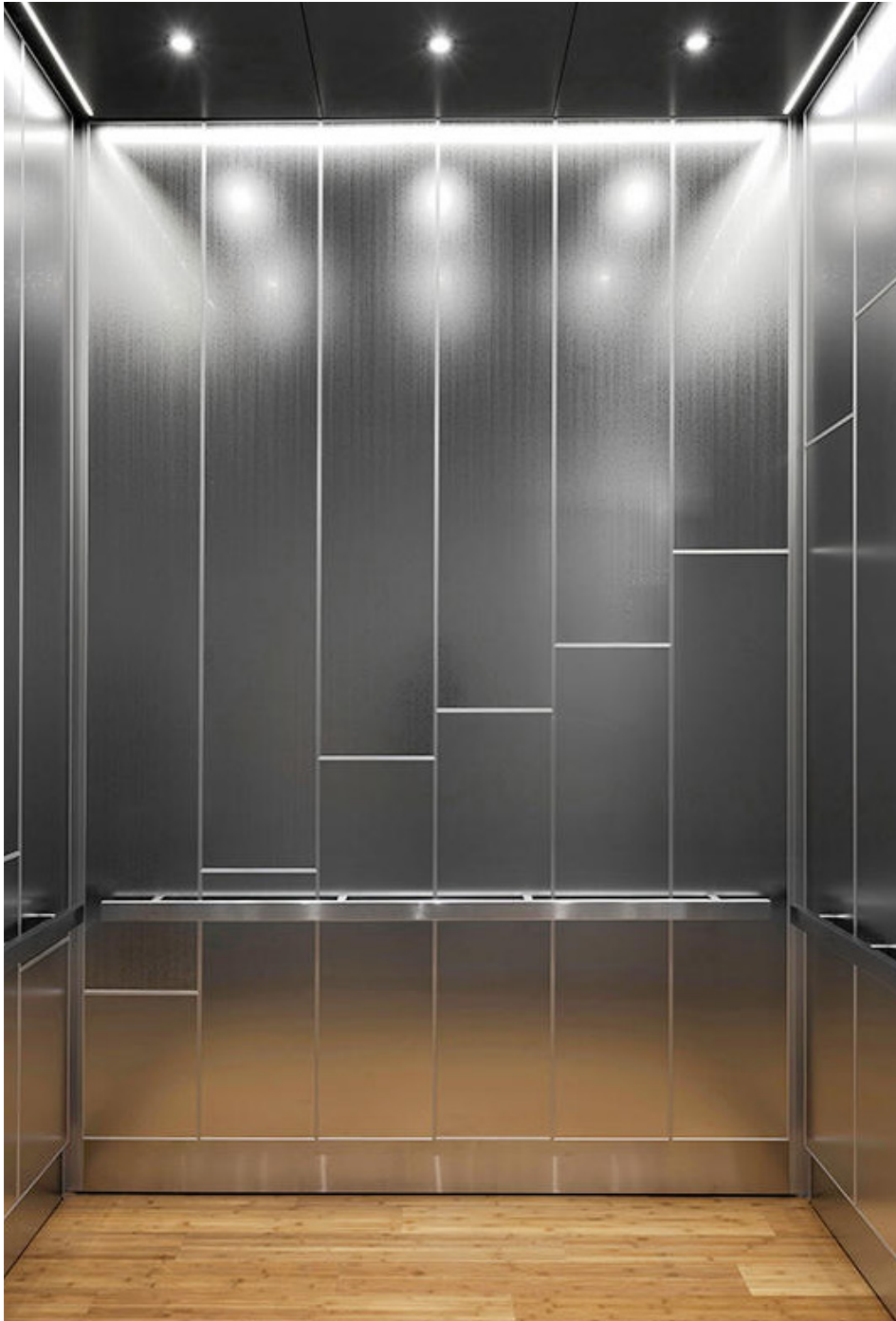
LEVELe-102 Elevator Interior with Capture panels in ViviGraphix Graphica glass with Cairo interlayer and Standard finish, and American Cherry with Dark Mahogany Stain wood veneer

Chicago Board of Trade, Chicago, Illinois | Bottom & Opposite

LEVELe-107 Elevator Interior with LightPlane Panels in ViviSpectra Spectrum glass with custom image interlayer and Pearlex+ finish, and Capture panels in Stainless Steel, Fused Graphite, and custom plastic laminate



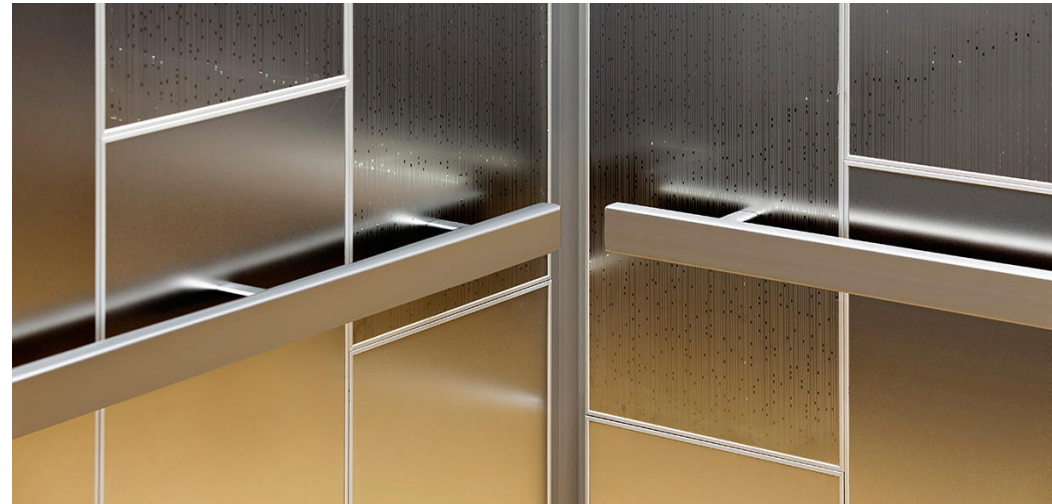




LEVELe-108 Elevator Interior with panels in Stainless Steel with Mirror finish and City Lights Eco-Etch pattern and Stainless Steel with Seastone finish | Left & Bottom

Edward Hines, Jr. VA Hospital, Hines, Illinois | Opposite

LEVELe-103 Elevator Interior with panels in Fused White Gold with Sandstone finish and custom material







Kenmawr Apartments, Pittsburgh, Pennsylvania | Left LEVELe-104 Elevator Interior with Capture Panels in ViviSpectra Elements glass with White Marble interlayer and Pearlex+ finish, ViviSpectra Spectrum glass with custom interlayer and Pearlex+ finish, Linq Woven Metal, and Fused Nickel Silver with Diamond finish

Rainey Street Apartments, Austin, Texas | Opposite LEVELe-107 Elevator Interior with Capture Panels in custom wood veneer and Stainless Steel with Seastone finish, and LightPlane Panel with ViviGraphix Graphica glass with Cairo interlayer and Pearlex+ finish





Westfield Century City, Los Angeles, California | Left

LEVELe-105 Elevator Interior with LightPlane Panels in ViviGraphix Graphica glass with Cairo interlayer and Pearlex+ finish, and Capture panels in Stainless Steel with Seastone finish

Beverly Center, Los Angeles, California | Bottom & Opposite

LEVELe-105 Elevator Interior with LightPlane Panels in ViviGraphix Gleam glass with custom graphic interlayer and Standard finish







1127 Wilshire Blvd, Los Angeles, California | Left

LEVELe-105 Elevator Interior with LightPlane Panels in ViviSpectra Zoom glass with Yosemite Valley Interlayer and Pearlex+ finish, LightPlane Panels in ViviSpectra Elements glass with Arctic Interlayer and Pearlex+ finish, and Capture panels in Linq Woven Metal

Godrej Bhavan, Mumbai, Maharashtra, India | Opposite

LEVELe-103 Elevator Interior with Capture panels in ViviGraphix Graphica glass with Cairo interlayer in White and Standard finish, and Stainless Steel with Seastone finish and Seagrass Eco-Etch pattern





1100 Louisiana Street, Houston, Texas | Left

LEVELe-106 Elevator Interior with LightPlane Panels in ViviStone Pearl Onyx glass with Pearlex+ finish, Capture panels in ViviChrome Chromis glass with Slate Blue interlayer and Pearlex+ finish, and Stainless Steel with Seastone finish

Gateway Center, Pittsburgh, Pennsylvania | Bottom

LEVELe-107 Elevator Interior with Capture Panels in ViviChrome Chromis glass with White interlayer and Opalex finish, and LightPlane Panel in ViviGraphix Graphica glass with Silkworm interlayer and Pearlex+ finish

222 South Riverside Plaza, Chicago, Illinois | Opposite

LEVELe-101 Elevator Interior with LightPlane Panels in ViviGraphix Graphica glass with Seagrass interlayer and Pearlex+ finish, and Capture panels in Bonded Nickel Silver with Dark Patina and Grass pattern







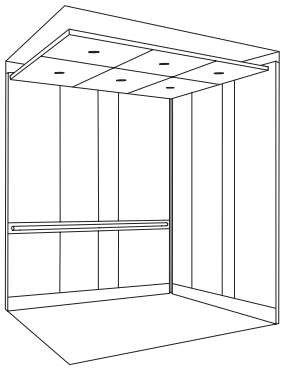
8800 Sunset Blvd, West Hollywood, California | Left & Opposite
LEVELe-104 Elevator Interiors with LightPlane Panels in ViviSpectra Spectrum glass with custom image interlayers and Standard finish, and Capture panels in Stainless Steel with Sandstone finish



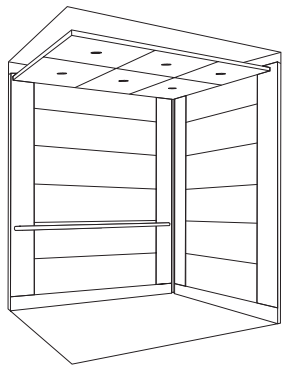
LEVELe ELEVATOR INTERIORS

CONFIGURATIONS

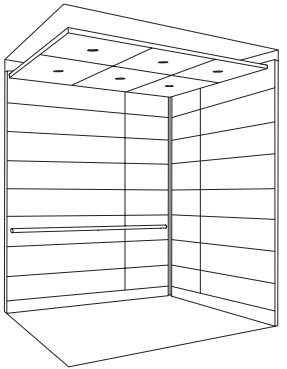
Each LEVELe configuration is broadly defined by its wall panel shape and layout, as shown in the eight standard configurations below. You can opt to use any of these as-is. Or, consider them a starting point for tailoring your elevator interiors to project-specific design, material and/or performance criteria.



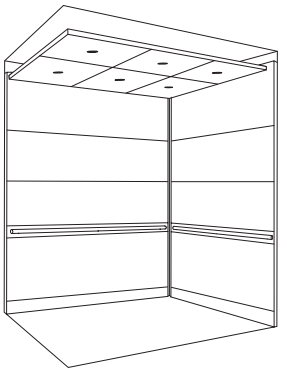
LEVELe-101



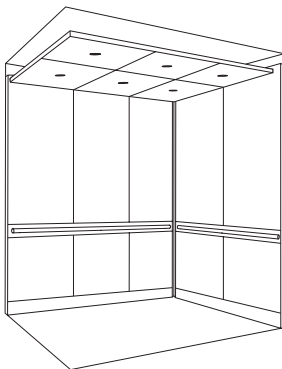
LEVELe-102



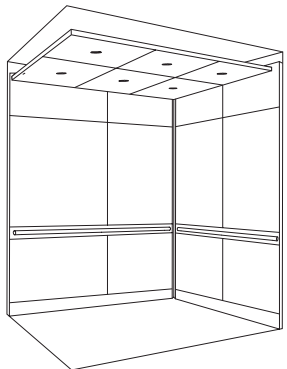
LEVELe-103



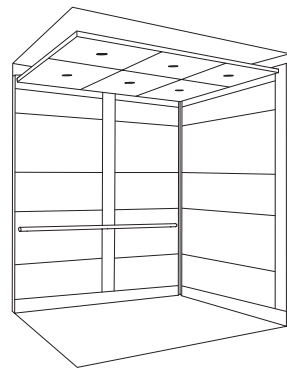
LEVELe-104



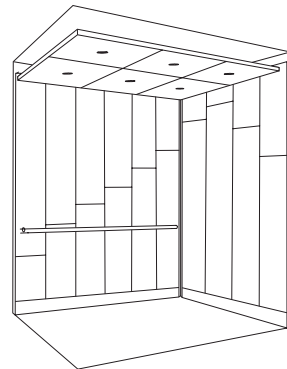
LEVELe-105



LEVELe-106

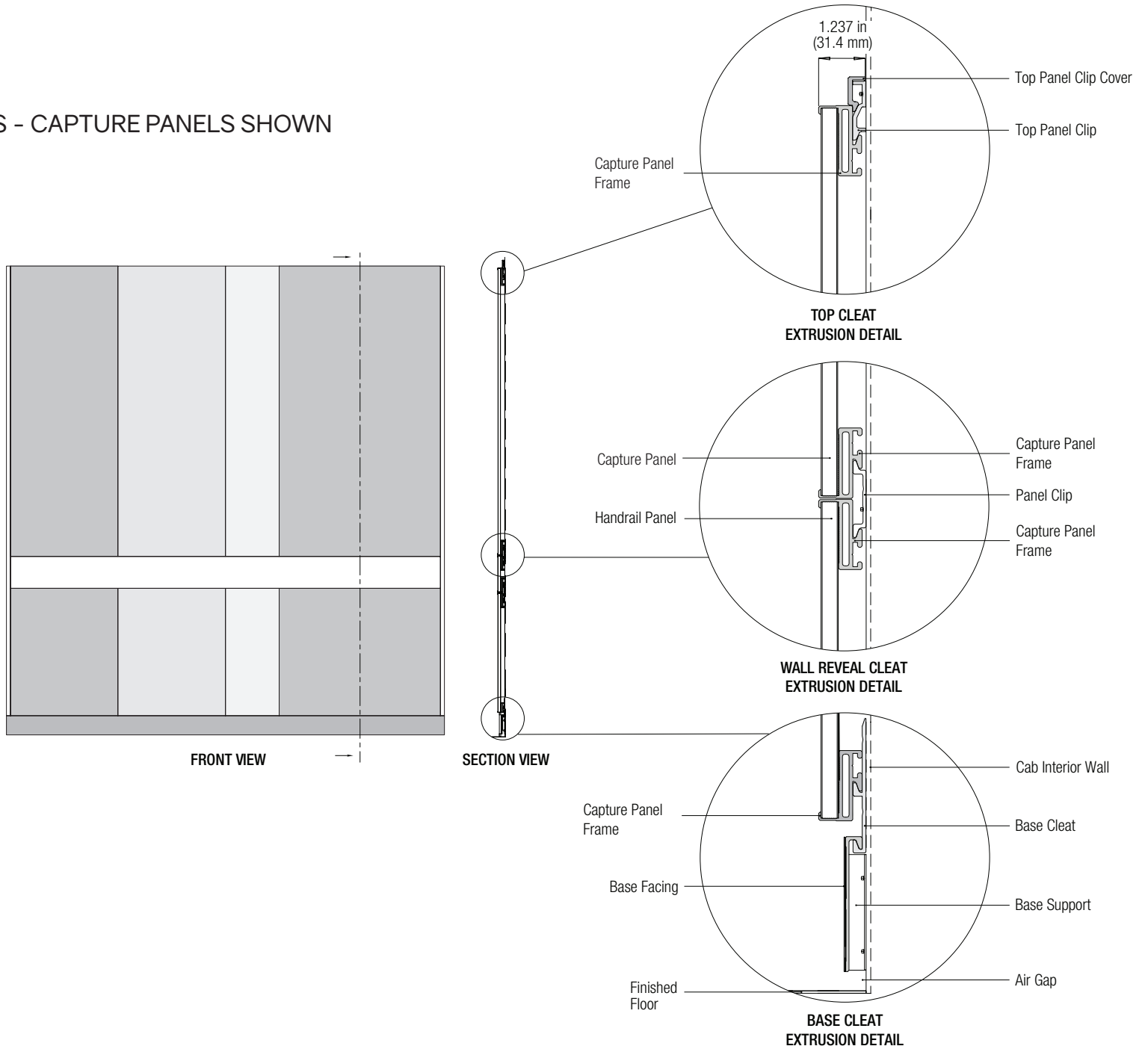


LEVELe-107



LEVELe-108

LEVELe SYSTEM DETAILS - CAPTURE PANELS SHOWN





LEVELc ELEVATOR INTERIORS

LEVELc Elevator Interiors expand the design and performance options. LEVELc-2000 features a configurable stile, rail and inset design that accommodates a wide range of material and finish combinations. Options draw from our extensive Surfaces line-up and include VividGlass. LEVELc-1000 is a rugged full-panel stainless steel system optimized for airports, parking structures and other public spaces where durability and potential abuse are concerns.

Standard LEVELc packages include wall panels, trim pieces and installation hardware. Ceilings with or without lighting and handrails are optional.

LEVELc Elevator Interiors can be configured using the Elevator Design Studio, as described on page 110.

Northwestern University - 1201 Davis, 1801 Maple, 1800 Sherman, Fisk & Jacobs Center | Left

LEVELc-2000 Elevator Interior with insets in Stainless Steel with Seastone finish and Cinch Fusion pattern; stiles and rails in Stainless Steel with Seastone finish

Walgreens Corporate Headquarters #108 Executive Suites | Opposite
LEVELc-2000 Elevator Interiors with insets in ViviGraphix Graphica glass with Seagrass interlayer and Standard finish, and Stainless Steel with custom finish; stiles and rails in Stainless Steel with Sandstone finish





IU Health Neuroscience Center, Indianapolis, Indiana | Left

LEVELc-2000 Elevator Interior with insets in Bonded Aluminum with Natural Patina and Charleston pattern and American Walnut wood veneer; stiles and rails in Stainless Steel with Sandstone finish

The Mother Baby Center at Abbott Northwestern and Children's Hospitals & Clinics, Minneapolis, Minnesota

| Bottom & Opposite

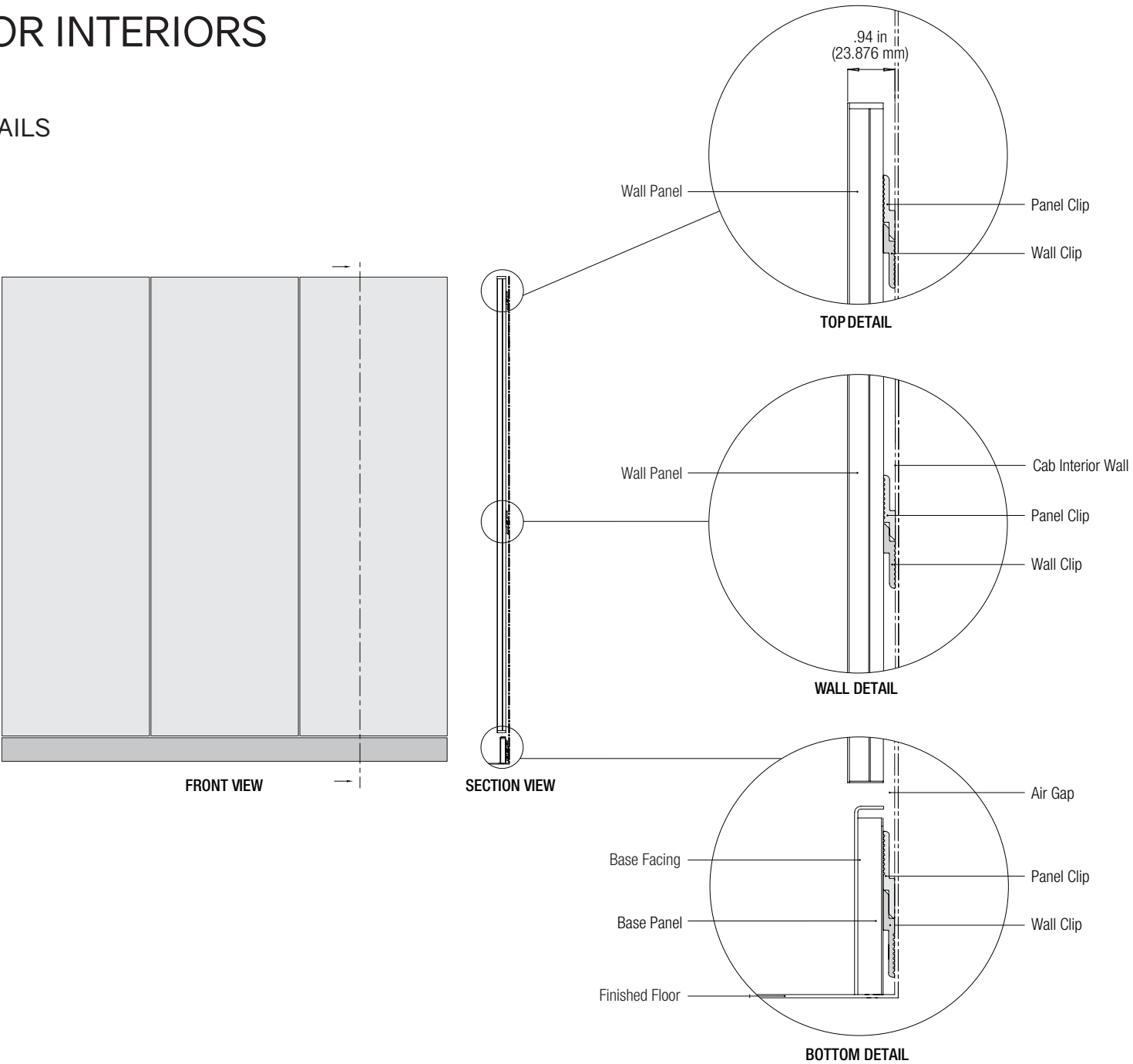
LEVELc-1000 Elevator Interior in Stainless Steel with Seastone finish



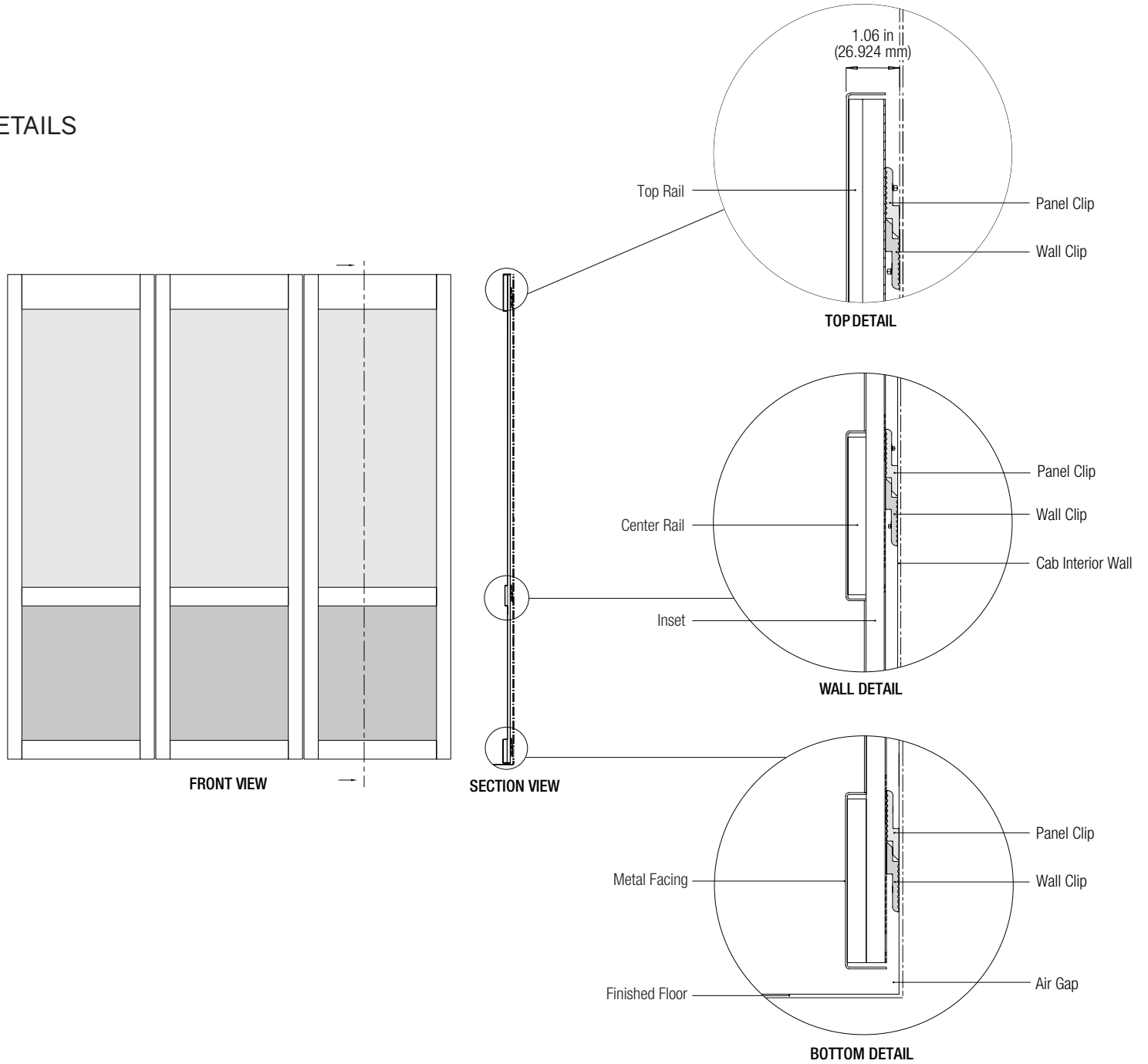


LEVEL_c ELEVATOR INTERIORS

LEVEL_c-1000 SYSTEM DETAILS



LEVELc-2000 SYSTEM DETAILS





ELEVATOR CEILINGS

Designed to be lightweight and easy to install, our Elevator Ceilings can be specified in many of the same stainless steel and Fused Metal finishes available for F+S Elevator Interiors. The standard ceiling is a six-panel suspended island design with six low-voltage high-efficiency LED downlights and/or LED perimeter lighting.

Ceilings use a side-mount installation system that provides a generous range of adjustment to align the ceiling with the wall panels. A canopy-mount option is also available. Standard ceiling packages include ceiling with lighting, power supply, and emergency lighting power source.

Elevator Ceilings can be used with LEVELe or LEVELc Elevator Interiors or incorporated into existing or custom elevator interiors.

176 Broadway, New York, New York | Left

Elevator Ceiling in Fused Nickel Silver with Mirror finish; LED downlights and LED perimeter accent lighting

The Mother Baby Center at Abbott Northwestern and Children's Hospitals & Clinics, Minneapolis, Minnesota | Opposite

Elevator Ceiling in Stainless Steel with Seastone finish; LED downlights

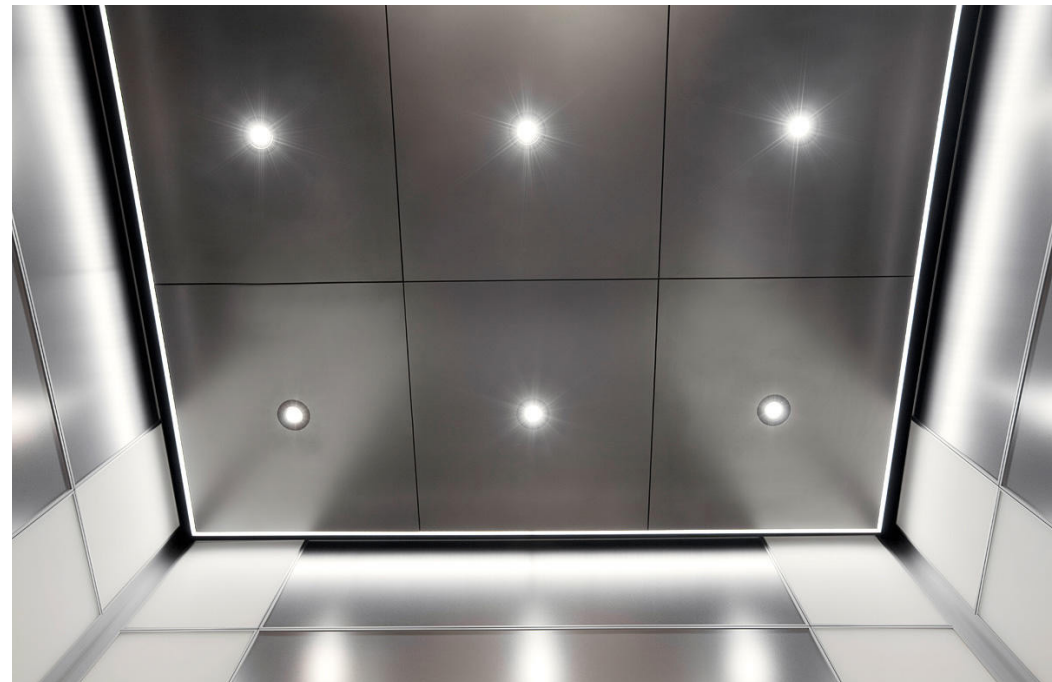




Private Location, New York, New York | Left
Elevator Ceiling in Stainless Steel with Seastone finish; LED perimeter lighting

1600 Market Street, Philadelphia, Pennsylvania | Bottom
Elevator Ceiling in Stainless Steel with Seastone finish; LED downlights and LED perimeter lighting

1100 Louisiana Street, Houston, Texas | Opposite
Elevator Ceiling in Stainless Steel with Seastone finish; LED downlights







ELEVATOR HANDRAILS + CRASH RAILS

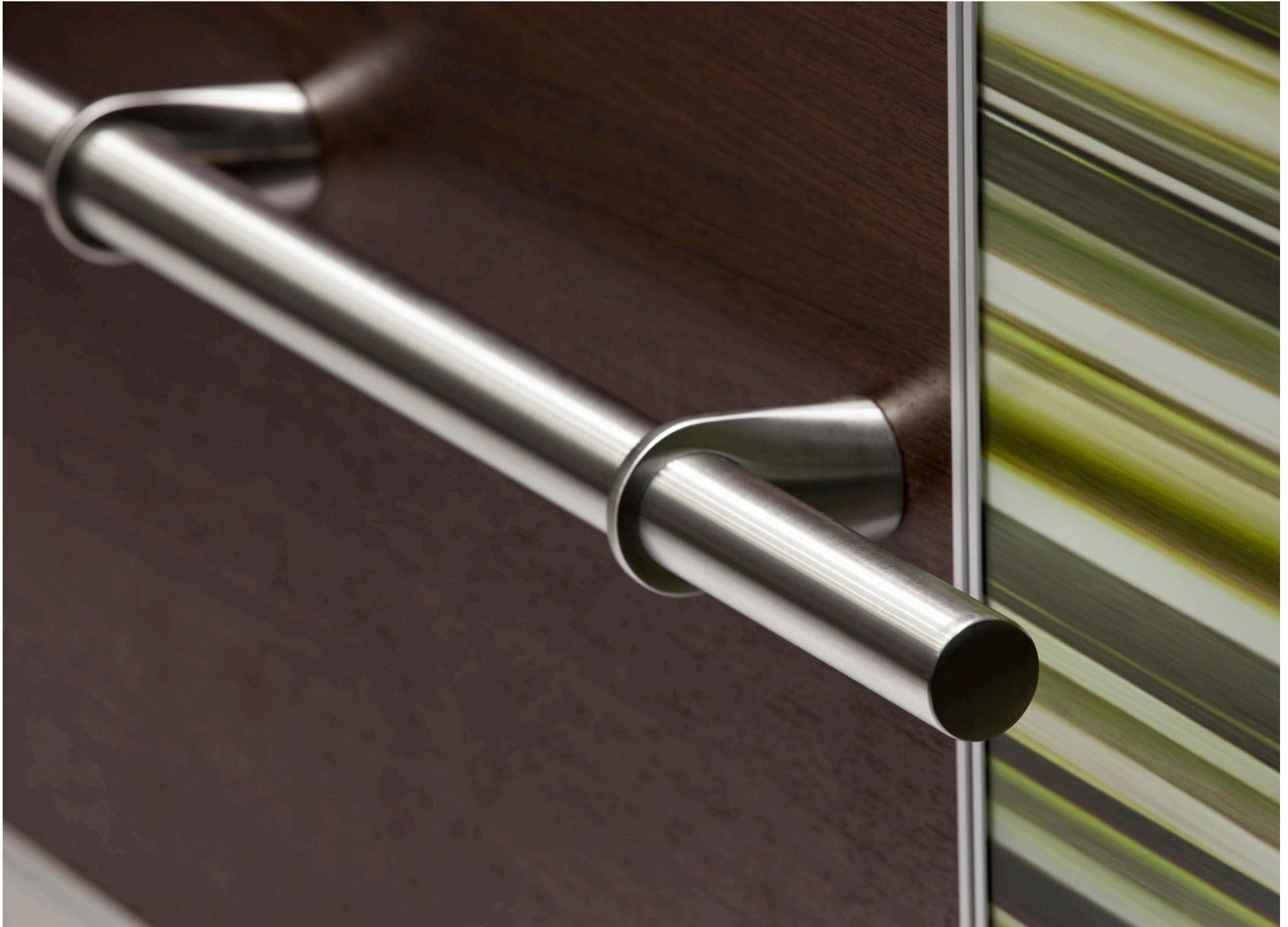
Elevator Handrails and Crash Rails are optional and can be specified for elevator back walls and/or side walls.

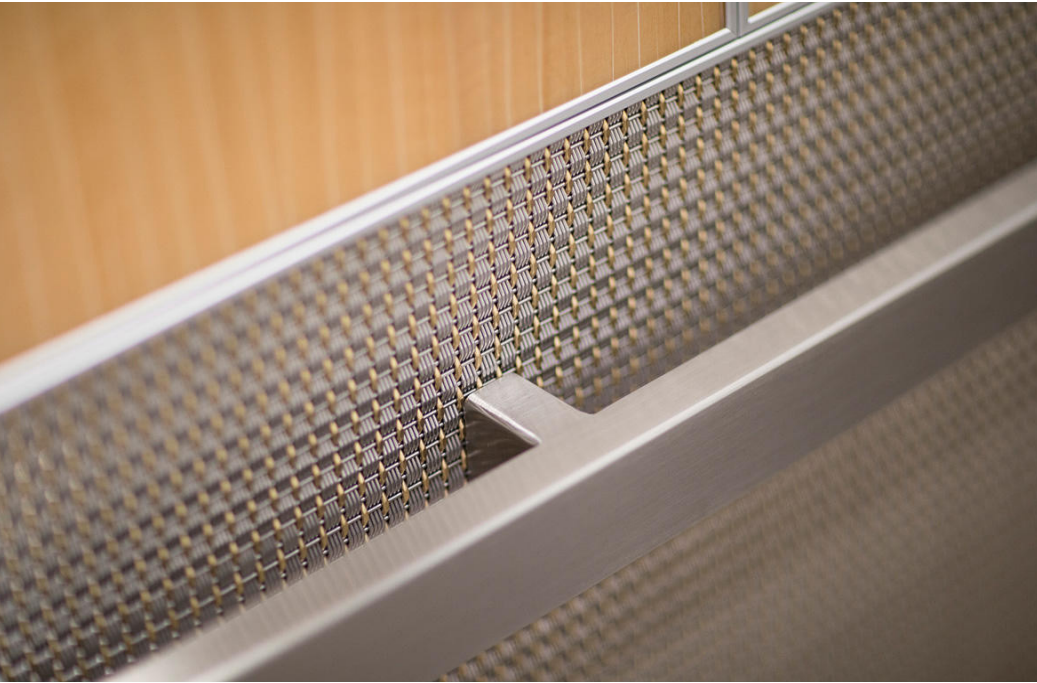
Six Elevator Handrail series provide a range of stylistic possibilities for LEVELe and LEVELc Elevator Interiors. Material options include stainless steel and bronze, each in a variety of finishes selected to complement other materials featured in the elevator interior. For continuity throughout a space, our Elevator Handrails have been designed to coordinate with our Door Pulls.

Elevator Crash Rails are stainless steel. Their simple, modern design is a beautiful way to protect LEVELe and LEVELc Elevator Interiors and LEVELe Wall Cladding System surfaces.

Music City Center, Nashville, Tennessee | Left
Quadrant Handrail in Satin Stainless Steel with Block standoffs

Private Location | Opposite
Compass Handrail in Satin Stainless Steel with Ring standoffs





7600 West Tidwell Road, Houston, Texas | Left
Rectangular Handrail in Satin Stainless Steel

Akshaya Signature Homes, Chennai, India | Bottom
Round Handrail in Satin Bronze

Metropolitan Bank Mississippi Headquarters, Ridgeland, Mississippi | Opposite
Sextant Handrail in Black Santoprene® and Satin Stainless Steel



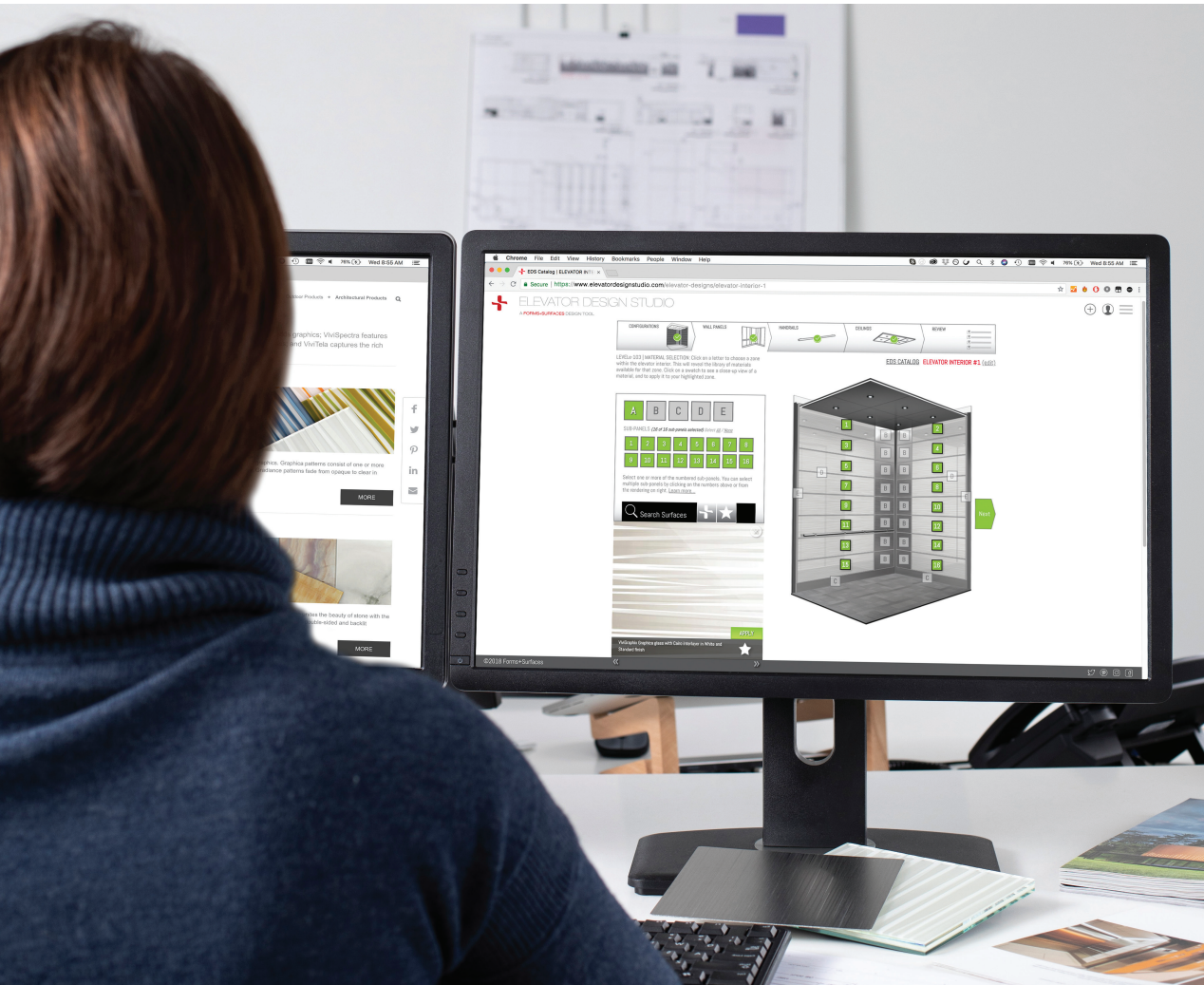




Renaissance Towers, San Diego, California | Right
Rectangular Handrail and custom bumper rail both in Satin
Stainless Steel

Private Location | Opposite
Modular Handrail in Satin Stainless Steel with clear anodized
aluminum standoff





ELEVATOR DESIGN STUDIO

The Elevator Design Studio (EDS) is a comprehensive visualization tool that lets you tailor our Surfaces and Elevator Interiors to your project-specific needs.

Unparalleled in its reach, this time-saving, interactive tool puts creative control at your fingertips. The intuitive step-by-step format lets you choose an elevator interior configuration, apply materials and finishes from our extensive Surfaces library, build your designs, view your progress in realistic renderings, share your work with colleagues and clients, and request budget pricing—all with a few simple clicks. Within a project you can create multiple elevator interiors, work through ideas, note job-related details, and save Surfaces to your 'Favorites' library for future reference and use.

The Elevator Design Studio makes it easy to bridge the gap between creative vision and installed reality.

Get started at www.elevatordesignstudio.com







ELEVATOR DOORS

Elevator doors are the perfect way to carry a design theme across a property, from elevator interior to elevator lobby and beyond. Included within this group are door skins for elevator car doors and hoistway doors in a variety of materials, finishes and patterns.



ELEVATOR DOORS

Elevator Door Skins can be specified in a wide range of materials and finishes selected to provide maximum design versatility while meeting the aesthetic and performance needs of any environment.

Elevator Door Skins in stainless steel and five Fused Metal colors—Fused Bronze, Fused Graphite, Fused Nickel Bronze, Fused Nickel Silver and Fused White Gold—create a striking design statement. Finishes include High-Durability and standard options. Patterns draw from our Impression and Eco-Etch palettes and add visual interest while helping conceal the occasional surface blemish.

Bonded Metal Elevator Door Skins offer exceptional resistance to abrasion and wear. Options include a wide range of patterns, three colors—Bonded Aluminum, Bonded Bronze and Bonded Nickel Silver—and Natural and Dark Patinas.

The Hyatt Regency DFW, Dallas, Texas | Left
Elevator Doors in Bonded Bronze with Dark Patina and Rain pattern

Danat Al Emarat Hospital, Abu Dhabi | Opposite
Elevator Doors in Fused Bronze with Seastone finish and Dallas Impression pattern

Grand Hyatt Washington, Washington, D.C. | Previous
Elevator Doors in Fused Nickel Bronze with Satin finish and Seagrass Eco-Etch pattern



The Stanford Court Renaissance Hotel, San Francisco, California | Bottom
Elevator Doors in Fused Bronze with Mirror finish and ECO205H Eco-Etch pattern

10-24 School Street, Boston, Massachusetts | Right
Elevator Doors in Bonded Nickel Silver with Dark Patina and Charleston pattern

Renaissance Schaumburg Hotel & Convention Center, Schaumburg, Illinois | Opposite
Elevator Doors in Stainless Steel with Mirror finish and custom Eco-Etch pattern







Herb Chambers, Boston, Massachusetts | Top
Elevator Doors in Bonded Nickel Silver with Dark Patina and Vancouver pattern

Clackamas Community College - Harmony Campus, Milwaukie, Oregon | Right
Elevator Doors in Stainless Steel with Satin finish and custom Eco-Etch pattern

Indianapolis Airport, Indianapolis, Indiana | Opposite
Elevator Doors in Stainless Steel with Sandstone finish and Dallas Impression pattern









DOORS + DOOR PULLS

Forms+Surfaces Doors and Door Pulls have been making dramatic opening statements for more than 50 years. Quality craftsmanship, exquisite detailing, and a diverse array of sizes, styles and materials to complement the rest of our Systems products are hallmarks of the line.



DOORS + DOOR PULLS

Our Doors and Door Pulls offer extraordinary design flexibility.

Stainless Steel and Fused Metal Doors combine our legendary design and materials palette with a full range of UL® fire labeling options. Stile & Rail Doors let you combine materials and finishes. Glass Doors give you creative ways to incorporate colors and graphics and vary privacy and translucency levels. Bonded Metal and Bonded Quartz Doors feature our versatile cast composites.

Cast Door Pulls are sculptural forms in stainless steel, bronze or brass. Tubular Door Pulls come in round or rectangular profiles in a variety of materials, shapes and sizes. Configurable Door Pulls let you mix materials and components and vary dimensions.

Door Packages that include doors, door frames, and prep-only or prep-and-supply for hardware are available for all of our doors.

The Elinor Bunin Munroe Film Center, New York, New York | Left

Glass Doors and transom in ViviGraphix Gradiance glass with Standard finish and Scatter pattern interlayer

Private Residence, Vasant Vihar, New Delhi, India | Opposite

Bonded Metal Doors in Bonded Bronze with Dark Patina and Corona pattern

Forms+Surfaces Design Studio, Carpinteria, California | Previous

Glass Doors in ViviStrata Layers glass with customized Surge pattern and clear upper areas; Rectangular Door Pulls in Satin Stainless Steel



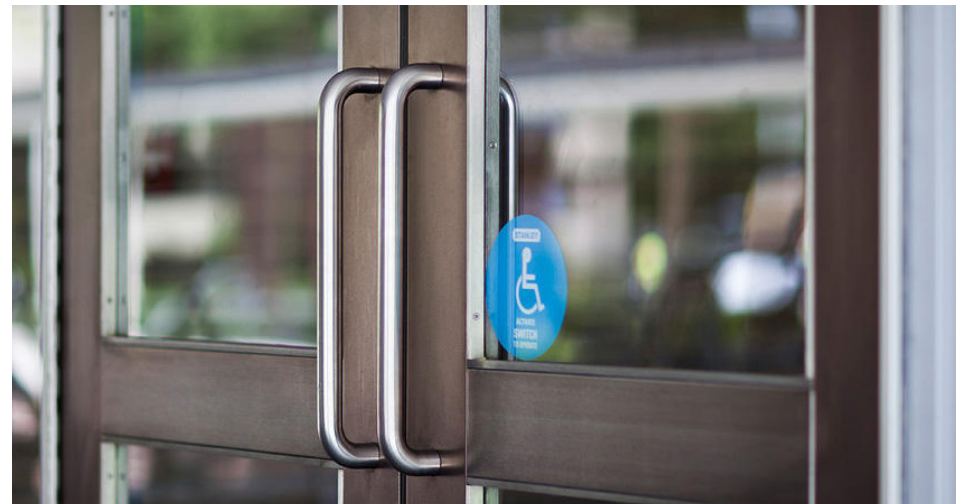


Harvard Law School, Cambridge, Massachusetts | Left & Bottom

Stile & Rail Doors in triple inset configuration with stiles and rails in Fused Nickel Silver with Sandstone finish and glass insets; Round Door Pulls in Satin Stainless Steel

Our Lady of Ransom Church, Niles, Illinois | Opposite

Bonded Metal Doors in Bonded Bronze with Dark Patina and Rain pattern; Cadence Door Pulls in Satin Bronze







NXXT Restaurant & Bar | Left & Top
Fused Metal Door in Fused Bronze with Sandstone finish; Sextant Door Pull with Black Santoprene® grip and Taper finials in Oil-Rubbed Bronze

Private Location | Opposite
Stainless Steel Doors with Satin finish and Dallas Impression pattern; Rectangular Door Pulls in Polished Stainless Steel





Nationwide Children's Hospital - Research Building III, Columbus, Ohio | Left & Bottom
Glass Door in ViviSpectra Spectrum glass with custom image interlayer and Standard finish

Forms+Surfaces Corporate Office, Phoenix, Arizona | Opposite
Glass Doors in ViviGraphix Gradiance glass with Scatter pattern interlayer and Standard finish; Rectangular Door Pulls in Satin Stainless Steel





FLIGHT INFORMATION

FLIGHT INFORMATION

DEPARTURES					
Destination	Airline	Flight	Gate	Status	Partner
ATLANTA	DL	DL1234	A1	On Time	
ATLANTA	DL	DL1235	A2	Delayed	
ATLANTA	DL	DL1236	A3	On Time	
ATLANTA	DL	DL1237	A4	On Time	
ATLANTA	DL	DL1238	A5	On Time	
ATLANTA	DL	DL1239	A6	On Time	
BALTIMORE	DL	DL1240	B1	On Time	
BIRMINGHAM	DL	DL1241	B2	On Time	
INDIANAPOLIS	DL	DL1242	B3	On Time	
KANSAS CITY	DL	DL1243	B4	On Time	
MEMPHIS	DL	DL1244	B5	On Time	
MIAMI	DL	DL1245	B6	On Time	
MINNEAPOLIS	DL	DL1246	B7	On Time	
NEW YORK	DL	DL1247	B8	On Time	
PHOENIX	DL	DL1248	B9	On Time	
RICHMOND	DL	DL1249	B10	On Time	
SAN ANTONIO	DL	DL1250	B11	On Time	
SEATTLE	DL	DL1251	B12	On Time	
ST. LOUIS	DL	DL1252	B13	On Time	
TAMPA	DL	DL1253	B14	On Time	
WASHINGTON	DL	DL1254	B15	On Time	
WASH. METRO	DL	DL1255	B16	On Time	
MEMPHIS	DL	DL1256	B17	On Time	
ATLANTA	DL	DL1257	B18	On Time	
ATLANTA	DL	DL1258	B19	On Time	
ATLANTA	DL	DL1259	B20	On Time	
ATLANTA	DL	DL1260	B21	On Time	
ATLANTA	DL	DL1261	B22	On Time	
ATLANTA	DL	DL1262	B23	On Time	
ATLANTA	DL	DL1263	B24	On Time	
ATLANTA	DL	DL1264	B25	On Time	
ATLANTA	DL	DL1265	B26	On Time	
ATLANTA	DL	DL1266	B27	On Time	
ATLANTA	DL	DL1267	B28	On Time	
ATLANTA	DL	DL1268	B29	On Time	
ATLANTA	DL	DL1269	B30	On Time	

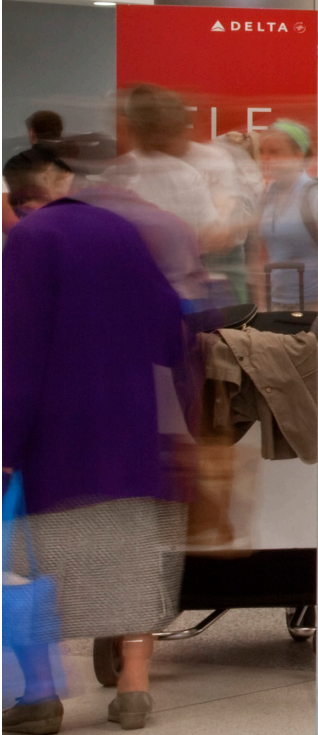
DEPARTURES					
Destination	Airline	Flight	Gate	Status	Partner
ATLANTA	DL	DL1270	A1	On Time	
ATLANTA	DL	DL1271	A2	On Time	
ATLANTA	DL	DL1272	A3	On Time	
ATLANTA	DL	DL1273	A4	On Time	
ATLANTA	DL	DL1274	A5	On Time	
ATLANTA	DL	DL1275	A6	On Time	
ATLANTA	DL	DL1276	A7	On Time	
ATLANTA	DL	DL1277	A8	On Time	
ATLANTA	DL	DL1278	A9	On Time	
ATLANTA	DL	DL1279	A10	On Time	
ATLANTA	DL	DL1280	A11	On Time	
ATLANTA	DL	DL1281	A12	On Time	
ATLANTA	DL	DL1282	A13	On Time	
ATLANTA	DL	DL1283	A14	On Time	
ATLANTA	DL	DL1284	A15	On Time	
ATLANTA	DL	DL1285	A16	On Time	
ATLANTA	DL	DL1286	A17	On Time	
ATLANTA	DL	DL1287	A18	On Time	
ATLANTA	DL	DL1288	A19	On Time	
ATLANTA	DL	DL1289	A20	On Time	
ATLANTA	DL	DL1290	A21	On Time	
ATLANTA	DL	DL1291	A22	On Time	
ATLANTA	DL	DL1292	A23	On Time	
ATLANTA	DL	DL1293	A24	On Time	
ATLANTA	DL	DL1294	A25	On Time	
ATLANTA	DL	DL1295	A26	On Time	
ATLANTA	DL	DL1296	A27	On Time	
ATLANTA	DL	DL1297	A28	On Time	
ATLANTA	DL	DL1298	A29	On Time	
ATLANTA	DL	DL1299	A30	On Time	

DEPARTURES					
Destination	Airline	Flight	Gate	Status	Partner
ATLANTA	DL	DL1300	A1	On Time	
ATLANTA	DL	DL1301	A2	On Time	
ATLANTA	DL	DL1302	A3	On Time	
ATLANTA	DL	DL1303	A4	On Time	
ATLANTA	DL	DL1304	A5	On Time	
ATLANTA	DL	DL1305	A6	On Time	
ATLANTA	DL	DL1306	A7	On Time	
ATLANTA	DL	DL1307	A8	On Time	
ATLANTA	DL	DL1308	A9	On Time	
ATLANTA	DL	DL1309	A10	On Time	
ATLANTA	DL	DL1310	A11	On Time	
ATLANTA	DL	DL1311	A12	On Time	
ATLANTA	DL	DL1312	A13	On Time	
ATLANTA	DL	DL1313	A14	On Time	
ATLANTA	DL	DL1314	A15	On Time	
ATLANTA	DL	DL1315	A16	On Time	
ATLANTA	DL	DL1316	A17	On Time	
ATLANTA	DL	DL1317	A18	On Time	
ATLANTA	DL	DL1318	A19	On Time	
ATLANTA	DL	DL1319	A20	On Time	
ATLANTA	DL	DL1320	A21	On Time	
ATLANTA	DL	DL1321	A22	On Time	
ATLANTA	DL	DL1322	A23	On Time	
ATLANTA	DL	DL1323	A24	On Time	
ATLANTA	DL	DL1324	A25	On Time	
ATLANTA	DL	DL1325	A26	On Time	
ATLANTA	DL	DL1326	A27	On Time	
ATLANTA	DL	DL1327	A28	On Time	
ATLANTA	DL	DL1328	A29	On Time	
ATLANTA	DL	DL1329	A30	On Time	

ARRIVALS					
Origin	Airline	Flight	Gate	Status	Partner
ATLANTA	DL	DL1330	A1	On Time	
ATLANTA	DL	DL1331	A2	On Time	
ATLANTA	DL	DL1332	A3	On Time	
ATLANTA	DL	DL1333	A4	On Time	
ATLANTA	DL	DL1334	A5	On Time	
ATLANTA	DL	DL1335	A6	On Time	
ATLANTA	DL	DL1336	A7	On Time	
ATLANTA	DL	DL1337	A8	On Time	
ATLANTA	DL	DL1338	A9	On Time	
ATLANTA	DL	DL1339	A10	On Time	
ATLANTA	DL	DL1340	A11	On Time	
ATLANTA	DL	DL1341	A12	On Time	
ATLANTA	DL	DL1342	A13	On Time	
ATLANTA	DL	DL1343	A14	On Time	
ATLANTA	DL	DL1344	A15	On Time	
ATLANTA	DL	DL1345	A16	On Time	
ATLANTA	DL	DL1346	A17	On Time	
ATLANTA	DL	DL1347	A18	On Time	
ATLANTA	DL	DL1348	A19	On Time	
ATLANTA	DL	DL1349	A20	On Time	
ATLANTA	DL	DL1350	A21	On Time	
ATLANTA	DL	DL1351	A22	On Time	
ATLANTA	DL	DL1352	A23	On Time	
ATLANTA	DL	DL1353	A24	On Time	
ATLANTA	DL	DL1354	A25	On Time	
ATLANTA	DL	DL1355	A26	On Time	
ATLANTA	DL	DL1356	A27	On Time	
ATLANTA	DL	DL1357	A28	On Time	
ATLANTA	DL	DL1358	A29	On Time	
ATLANTA	DL	DL1359	A30	On Time	

ARRIVALS					
Origin	Airline	Flight	Gate	Status	Partner
ATLANTA	DL	DL1360	A1	On Time	
ATLANTA	DL	DL1361	A2	On Time	
ATLANTA	DL	DL1362	A3	On Time	
ATLANTA	DL	DL1363	A4	On Time	
ATLANTA	DL	DL1364	A5	On Time	
ATLANTA	DL	DL1365	A6	On Time	
ATLANTA	DL	DL1366	A7	On Time	
ATLANTA	DL	DL1367	A8	On Time	
ATLANTA	DL	DL1368	A9	On Time	
ATLANTA	DL	DL1369	A10	On Time	
ATLANTA	DL	DL1370	A11	On Time	
ATLANTA	DL	DL1371	A12	On Time	
ATLANTA	DL	DL1372	A13	On Time	
ATLANTA	DL	DL1373	A14	On Time	
ATLANTA	DL	DL1374	A15	On Time	
ATLANTA	DL	DL1375	A16	On Time	
ATLANTA	DL	DL1376	A17	On Time	
ATLANTA	DL	DL1377	A18	On Time	
ATLANTA	DL	DL1378	A19	On Time	
ATLANTA	DL	DL1379	A20	On Time	
ATLANTA	DL	DL1380	A21	On Time	
ATLANTA	DL	DL1381	A22	On Time	
ATLANTA	DL	DL1382	A23	On Time	
ATLANTA	DL	DL1383	A24	On Time	
ATLANTA	DL	DL1384	A25	On Time	
ATLANTA	DL	DL1385	A26	On Time	
ATLANTA	DL	DL1386	A27	On Time	
ATLANTA	DL	DL1387	A28	On Time	
ATLANTA	DL	DL1388	A29	On Time	
ATLANTA	DL	DL1389	A30	On Time	

ARRIVALS					
Origin	Airline	Flight	Gate	Status	Partner
ATLANTA	DL	DL1390	A1	On Time	
ATLANTA	DL	DL1391	A2	On Time	
ATLANTA	DL	DL1392	A3	On Time	
ATLANTA	DL	DL1393	A4	On Time	
ATLANTA	DL	DL1394	A5	On Time	
ATLANTA	DL	DL1395	A6	On Time	
ATLANTA	DL	DL1396	A7	On Time	
ATLANTA	DL	DL1397	A8	On Time	
ATLANTA	DL	DL1398	A9	On Time	
ATLANTA	DL	DL1399	A10	On Time	
ATLANTA	DL	DL1400	A11	On Time	
ATLANTA	DL	DL1401	A12	On Time	
ATLANTA	DL	DL1402	A13	On Time	
ATLANTA	DL	DL1403	A14	On Time	
ATLANTA	DL	DL1404	A15	On Time	
ATLANTA	DL	DL1405	A16	On Time	
ATLANTA	DL	DL1406	A17	On Time	
ATLANTA	DL	DL1407	A18	On Time	
ATLANTA	DL	DL1408	A19	On Time	
ATLANTA	DL	DL1409	A20	On Time	
ATLANTA	DL	DL1410	A21	On Time	
ATLANTA	DL	DL1411	A22	On Time	
ATLANTA	DL	DL1412	A23	On Time	
ATLANTA	DL	DL1413	A24	On Time	
ATLANTA	DL	DL1414	A25	On Time	
ATLANTA	DL	DL1415	A26	On Time	
ATLANTA	DL	DL1416	A27	On Time	
ATLANTA	DL	DL1417	A28	On Time	
ATLANTA	DL	DL1418	A29	On Time	
ATLANTA	DL	DL1419	A30	On Time	





INFORMATION DISPLAYS

InForm Flight Information Displays and Profile One Information Kiosks are modular systems whose standard elements can be configured for numerous applications. InForm is designed for creating large public displays with multiple LCD monitors. Profile One is a space-efficient design ideal for more personalized workstations and interactive kiosks.



INFORMATION DISPLAYS

InForm Flight Information Displays use a series of aluminum extrusions, stainless steel and aluminum castings, and other standard elements as building blocks for large public display systems that can incorporate multiple LCD monitors. Standard and custom assembly layouts make it easy to address project-specific criteria. InForm's modular approach allows individual units to be scaled up or down to suit the needs of different areas of a facility while maintaining design consistency throughout. Its open structure enhances visibility in security-conscious environments.

Profile One is a versatile modular system that can be tailored for information kiosks or workstations. The system is based on a durable extruded aluminum mast to which any number of components—table surfaces, LCD monitors, sign panels, computers, CPU enclosures, duplex outlets, and footrests—can be attached at any location.

Miami International Airport, Miami, Florida | Left

InForm Information Display System in custom ceiling-mount configuration; monitors by others

Detroit Metro Airport - McNamara Terminal, Detroit, Michigan | Opposite

InForm Information Display System in triple-mast, Arc extrusion configuration with flush-mounted cabinets and bumper rail; monitors by others

Miami International Airport, Miami, Florida | Previous

InForm Information Display System in dual-mast, Conceal extrusion configuration with arm-mounted cabinets and headers, bumper rail, and custom foot covers; monitors by others





Miami International Airport, Miami, Florida | Left

InForm Information Display System in dual-mast, Conceal extrusion configuration with arm-mounted cabinets and headers, bumper rail, and custom foot covers; monitors by others

Miami International Airport, Miami, Florida | Bottom

InForm Information Display System: Satin Stainless Steel bumper rail, Stainless Steel support arms with bead-blasted finish, and custom foot covers

Indianapolis International Airport, Indianapolis, Indiana | Opposite

InForm Information Display System in triple-mast, Arc extrusion configuration with flush-mounted cabinets bumper rail, and custom shelves; monitors and phones by others





DEPARTURES

Airline	Flight	Time	Status
American	1234	10:00	On Time
Delta	5678	10:15	Delayed
United	9012	10:30	On Time
Southwest	3456	10:45	On Time
Allegiant	7890	11:00	On Time
JetBlue	2345	11:15	On Time
Frontier	6789	11:30	On Time
Spirit	1011	11:45	On Time
Allegiant	5432	12:00	On Time
JetBlue	9876	12:15	On Time
Frontier	4321	12:30	On Time
Spirit	8765	12:45	On Time
Allegiant	3210	13:00	On Time
JetBlue	7654	13:15	On Time
Frontier	2109	13:30	On Time
Spirit	6543	13:45	On Time
Allegiant	1098	14:00	On Time
JetBlue	5432	14:15	On Time
Frontier	9876	14:30	On Time
Spirit	4321	14:45	On Time
Allegiant	8765	15:00	On Time
JetBlue	3210	15:15	On Time
Frontier	7654	15:30	On Time
Spirit	2109	15:45	On Time

Tuesday, Nov 04, 2008

DEPARTURES

Airline	Flight	Time	Status
American	1234	10:00	On Time
Delta	5678	10:15	Delayed
United	9012	10:30	On Time
Southwest	3456	10:45	On Time
Allegiant	7890	11:00	On Time
JetBlue	2345	11:15	On Time
Frontier	6789	11:30	On Time
Spirit	1011	11:45	On Time
Allegiant	5432	12:00	On Time
JetBlue	9876	12:15	On Time
Frontier	4321	12:30	On Time
Spirit	8765	12:45	On Time
Allegiant	3210	13:00	On Time
JetBlue	7654	13:15	On Time
Frontier	2109	13:30	On Time
Spirit	6543	13:45	On Time
Allegiant	1098	14:00	On Time
JetBlue	5432	14:15	On Time
Frontier	9876	14:30	On Time
Spirit	4321	14:45	On Time
Allegiant	8765	15:00	On Time
JetBlue	3210	15:15	On Time
Frontier	7654	15:30	On Time
Spirit	2109	15:45	On Time

Tuesday, Nov 04, 2008

DEPARTURES

Airline	Flight	Time	Status
American	1234	10:00	On Time
Delta	5678	10:15	Delayed
United	9012	10:30	On Time
Southwest	3456	10:45	On Time
Allegiant	7890	11:00	On Time
JetBlue	2345	11:15	On Time
Frontier	6789	11:30	On Time
Spirit	1011	11:45	On Time
Allegiant	5432	12:00	On Time
JetBlue	9876	12:15	On Time
Frontier	4321	12:30	On Time
Spirit	8765	12:45	On Time
Allegiant	3210	13:00	On Time
JetBlue	7654	13:15	On Time
Frontier	2109	13:30	On Time
Spirit	6543	13:45	On Time
Allegiant	1098	14:00	On Time
JetBlue	5432	14:15	On Time
Frontier	9876	14:30	On Time
Spirit	4321	14:45	On Time
Allegiant	8765	15:00	On Time
JetBlue	3210	15:15	On Time
Frontier	7654	15:30	On Time
Spirit	2109	15:45	On Time

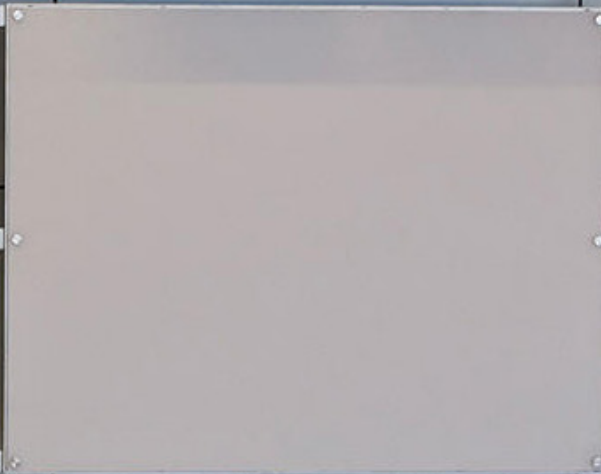
Tuesday, Nov 04, 2008

ARRIVALS

Airline	Flight	Time	Status
American	1234	10:00	On Time
Delta	5678	10:15	Delayed
United	9012	10:30	On Time
Southwest	3456	10:45	On Time
Allegiant	7890	11:00	On Time
JetBlue	2345	11:15	On Time
Frontier	6789	11:30	On Time
Spirit	1011	11:45	On Time
Allegiant	5432	12:00	On Time
JetBlue	9876	12:15	On Time
Frontier	4321	12:30	On Time
Spirit	8765	12:45	On Time
Allegiant	3210	13:00	On Time
JetBlue	7654	13:15	On Time
Frontier	2109	13:30	On Time
Spirit	6543	13:45	On Time
Allegiant	1098	14:00	On Time
JetBlue	5432	14:15	On Time
Frontier	9876	14:30	On Time
Spirit	4321	14:45	On Time
Allegiant	8765	15:00	On Time
JetBlue	3210	15:15	On Time
Frontier	7654	15:30	On Time
Spirit	2109	15:45	On Time

Tuesday, Nov 04, 2008

**Smoking is
not allowed
in the
terminal.**





Indian Trails Public Library, Chicago, Illinois | Left & Top

Profile One Information Kiosk in triple-mast configuration with fixed upper foot assemblies, custom shelves, Stainless Steel support arms, and adjustable lower foot assemblies; monitors by others

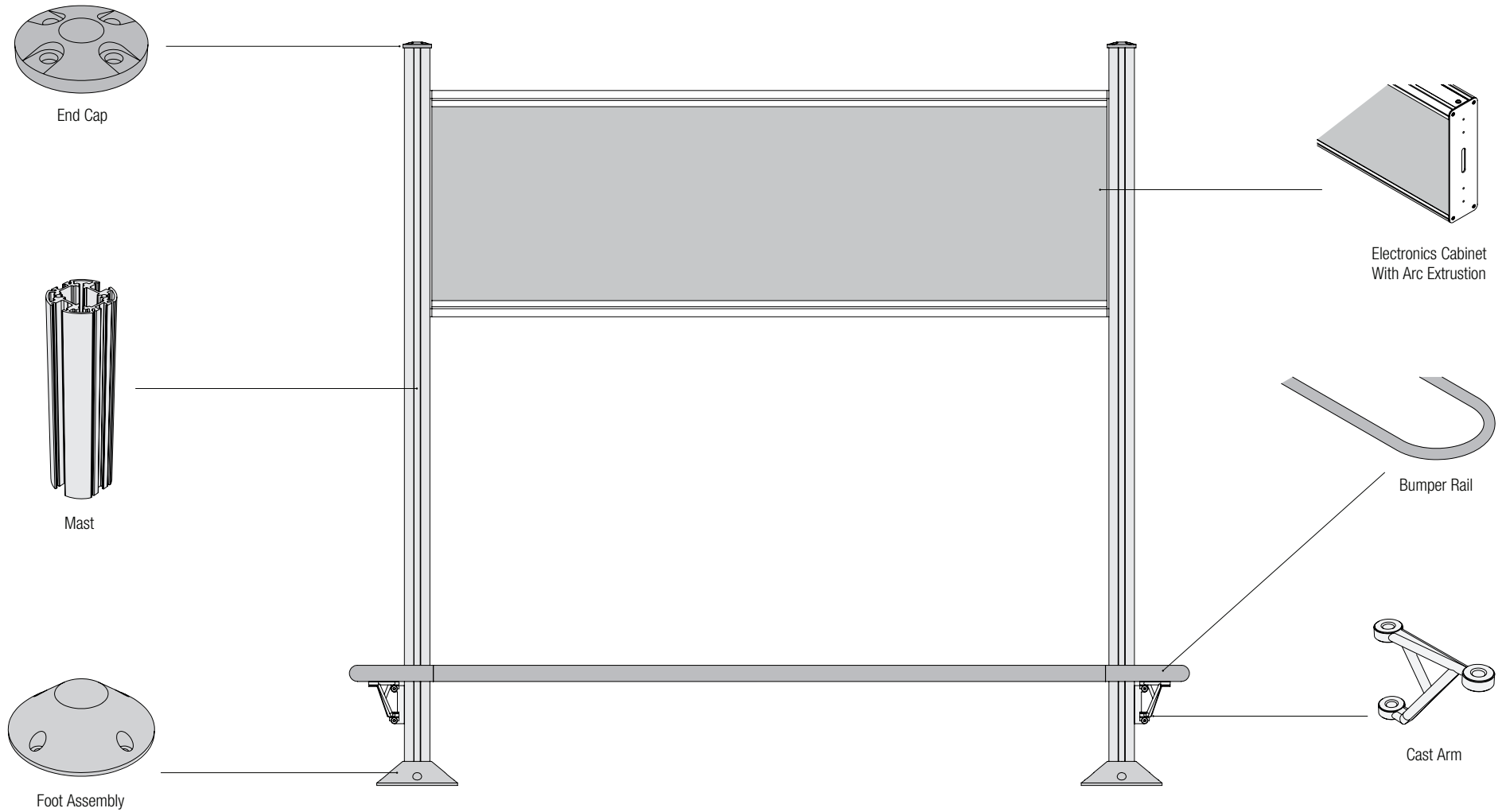
Logan College of Chiropractic, Chesterfield, Missouri | Opposite

Profile One Information Kiosks in single-mast, double-sided configuration with half-round wood table tops, CPU enclosures, footrests, fixed lower foot assembly and custom lighting assembly; monitors by others

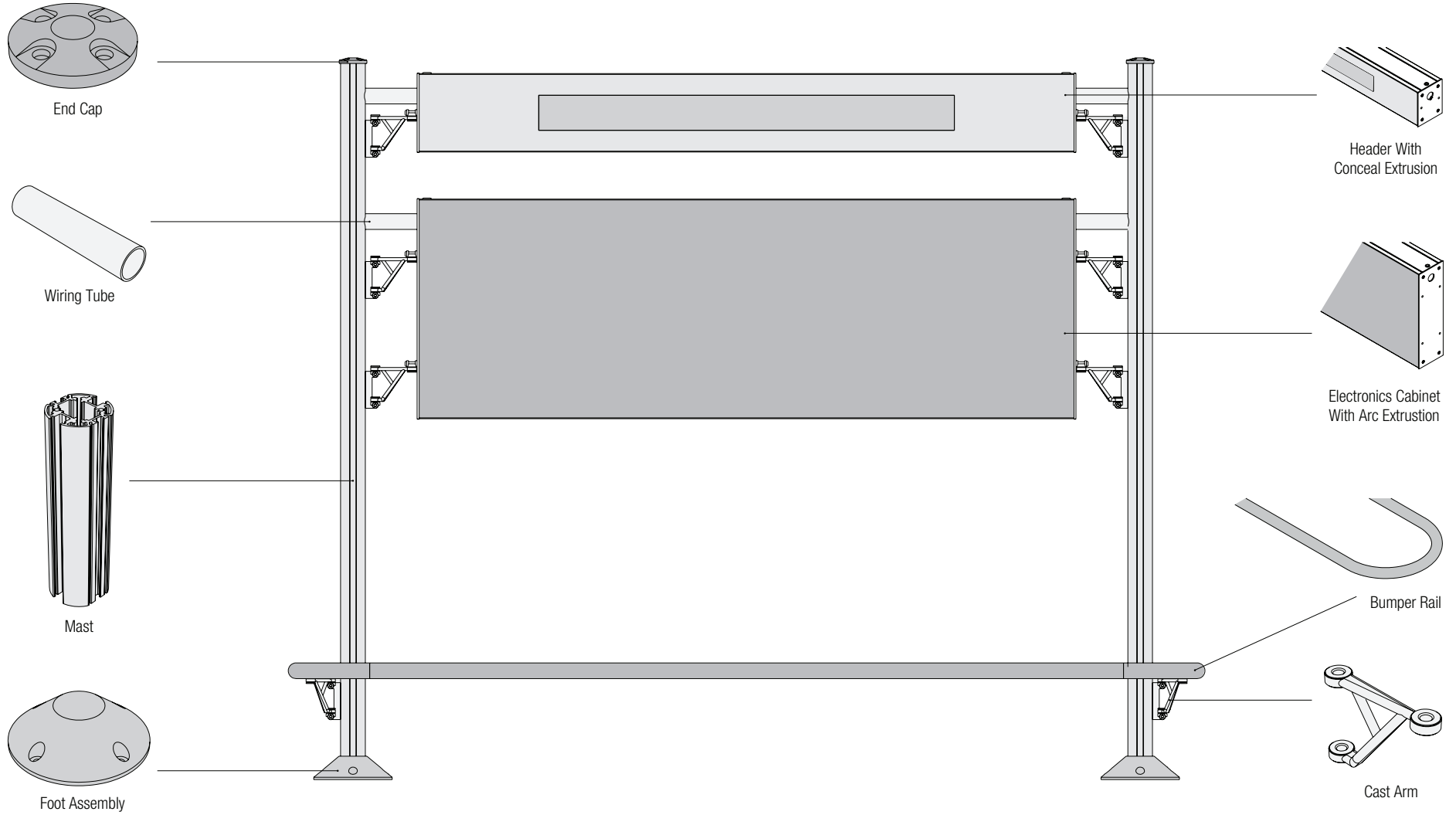


INFORMATION DISPLAYS

FLUSH-MOUNTED CABINET WITH ARC EXTRUSION



HEADER AND CAST-ARM-MOUNTED CABINET WITH CONCEAL EXTRUSION







BEYOND SYSTEMS

F+S Systems, together with F+S Surfaces, are the basis for unlimited creative expression. Both are highly configurable and offer a sophisticated breadth of choices that can be tailored to meet the challenges of today's public spaces. But what happens when your needs go beyond the scope of our Systems? Our Surfaces—along with the expert support of our design, engineering and manufacturing teams—can help you take your most imaginative design ideas to astounding new heights.



BEYOND SYSTEMS

For more than five decades, architects and designers around the world have relied on Forms+Surfaces as a collaborative partner with the agility, experience and passion to create dramatic signature statements.

As a truly comprehensive resource, the framework we've built to support our efforts is vast. It includes large-scale F+S manufacturing facilities in strategic global locations, state-of-the-art technologies and equipment, extensive sourcing and materials expertise, innovative in-house design and engineering teams, sales and technical support in regions around the world, and skilled professionals at every level of our organization.

The following pages show just a few examples of our Surfaces creatively used in applications of many shapes and sizes. Take a look. You'll see how Forms+Surfaces offers a winning equation for transforming public spaces of all kinds.

University Health System – University Hospital, San Antonio, Texas | Left & Opposite
Two-story interior curtain wall with ViviSpectra Spectrum glass with custom image interlayers and Standard finish; lower level walls with ViviGraphix Graphica glass with custom pattern interlayers and Pearlex finish

Pacific Gate, San Diego, California | Previous
Feature wall with CastGlass Class Levels glass in Hikaru texture + custom color interlayer





Louis Armstrong New Orleans International Airport, New Orleans, Louisiana | Left
Architectural spokes and curved wall in Fused White Gold with Seastone finish

Louis Armstrong New Orleans International Airport, New Orleans, Louisiana | Bottom
Feature wall with backlit panels in Fused Nickel Bronze with Satin finish, custom Eco-Etch pattern, and custom perforation pattern

Louis Armstrong New Orleans International Airport, New Orleans, Louisiana | Opposite
Feature wall with ViviSpectra Spectrum glass with custom image interlayer and Pearlex+ finish







Pacific Gate, San Diego, California | Left & Opposite
Feature wall with CastGlass Classic Levels glass in Hikaru
texture + custom color interlayer





McShane Construction Company, Rosemont, Illinois | Left & Bottom
 Partition wall in ViviGraphix Gradiance glass with custom graphic interlayer and Standard finish

Forms+Surfaces Design Studio, Carpinteria, California | Opposite
 Partition wall in ViviGraphix Graphica glass with custom graphic interlayer in White and clear upper areas; partition wall in ViviStrata Layers glass with customized Surge pattern and clear upper areas







NASA Human Health & Performance Laboratory (Building 21), Houston, Texas
| Left & Top
CastGlass Classic Monolithic glass with custom texture

222 South Riverside Plaza, Chicago, Illinois | Opposite
Backlit panels with ViviGraphix Graphica glass with Seagrass interlayer and Pearlex+ finish



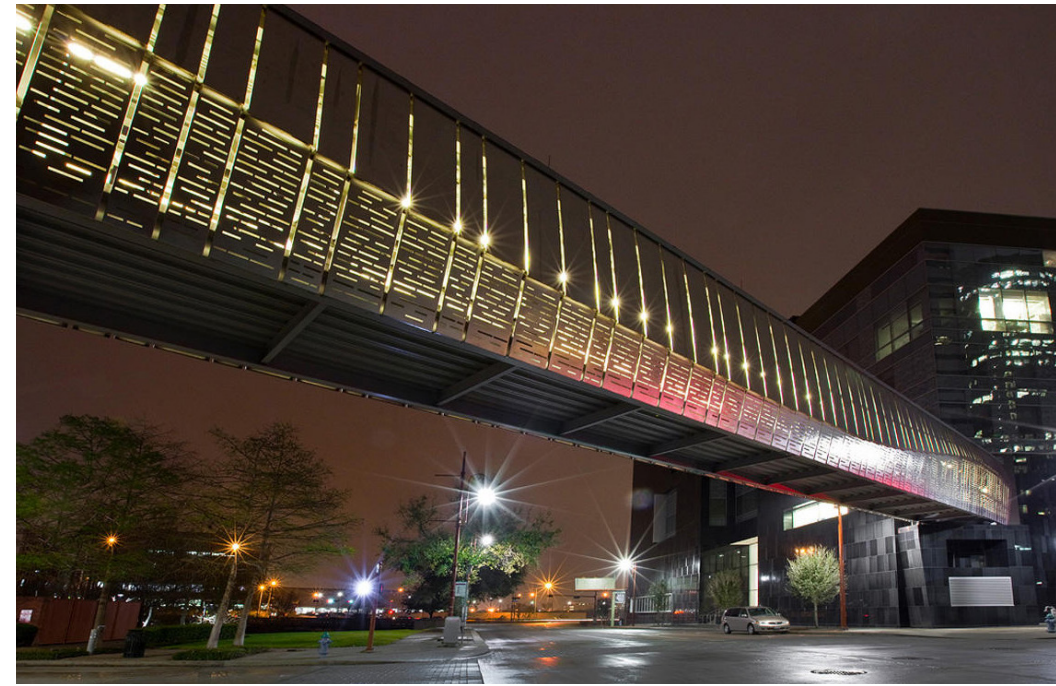


Beverly Center, Los Angeles, California | Left
Escalator truss cladding in ViviChrome Chromis glass with custom color interlayer and Opalex finish

Beverly Center, Los Angeles, California | Top
Wall cladding in ViviChrome Chromis glass with custom color interlayer and Opalex finish

Beverly Center, Los Angeles, California | Opposite
Wall cladding and elevator truss cladding in ViviChrome Chromis glass with custom color interlayer and Opalex finish; rectangular lighting and display screen by others





Houston Ballet Center for Dance, Houston, Texas | Left & Top

Bridge upper panels in Stainless Steel with Sandstone finish and custom Eco-Etch pattern; lower panels in Stainless Steel with Sandstone finish and custom perforation pattern

Hotel Eventi, New York, New York | Opposite

Exterior wall with CastGlass Profile Monolithic glass in Corrugated texture with sandblast finish





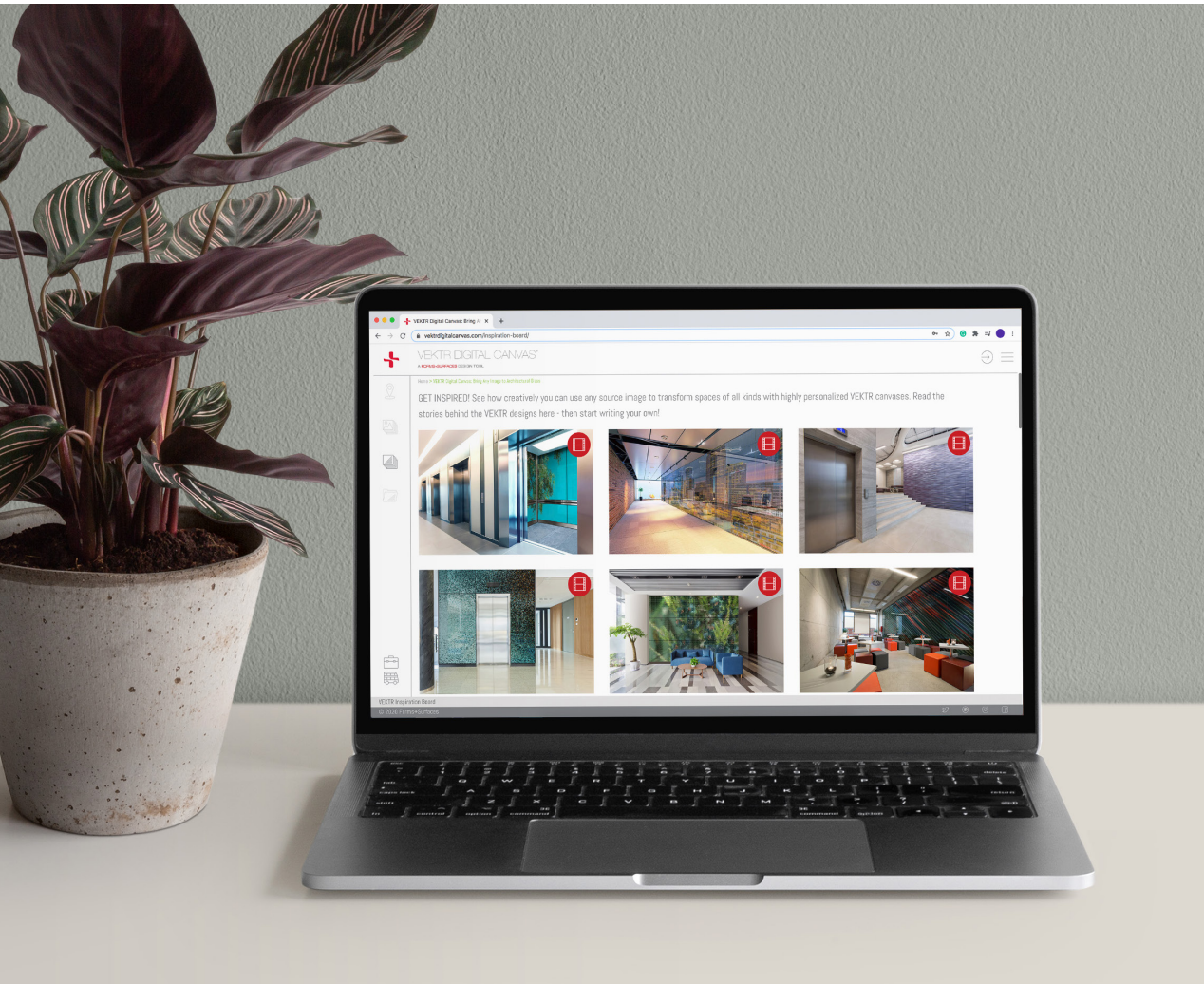
Austin-Bergstrom International Airport, Austin, Texas | Left
Custom restroom graphic with custom LightPlane backlighting in LEVELr Wall Cladding System with panels in ViviChrome Chromis glass with custom color interlayer and Opalex finish

Austin-Bergstrom International Airport, Austin, Texas | Bottom
Oculus with ViviGraphix Gradiance glass with Vapor pattern interlayer and Standard finish

Austin-Bergstrom International Airport, Austin, Texas | Opposite
Upper-level corridor with ViviGraphix Gradiance glass with Vapor pattern interlayer and Standard finish







DESIGN TOOLS

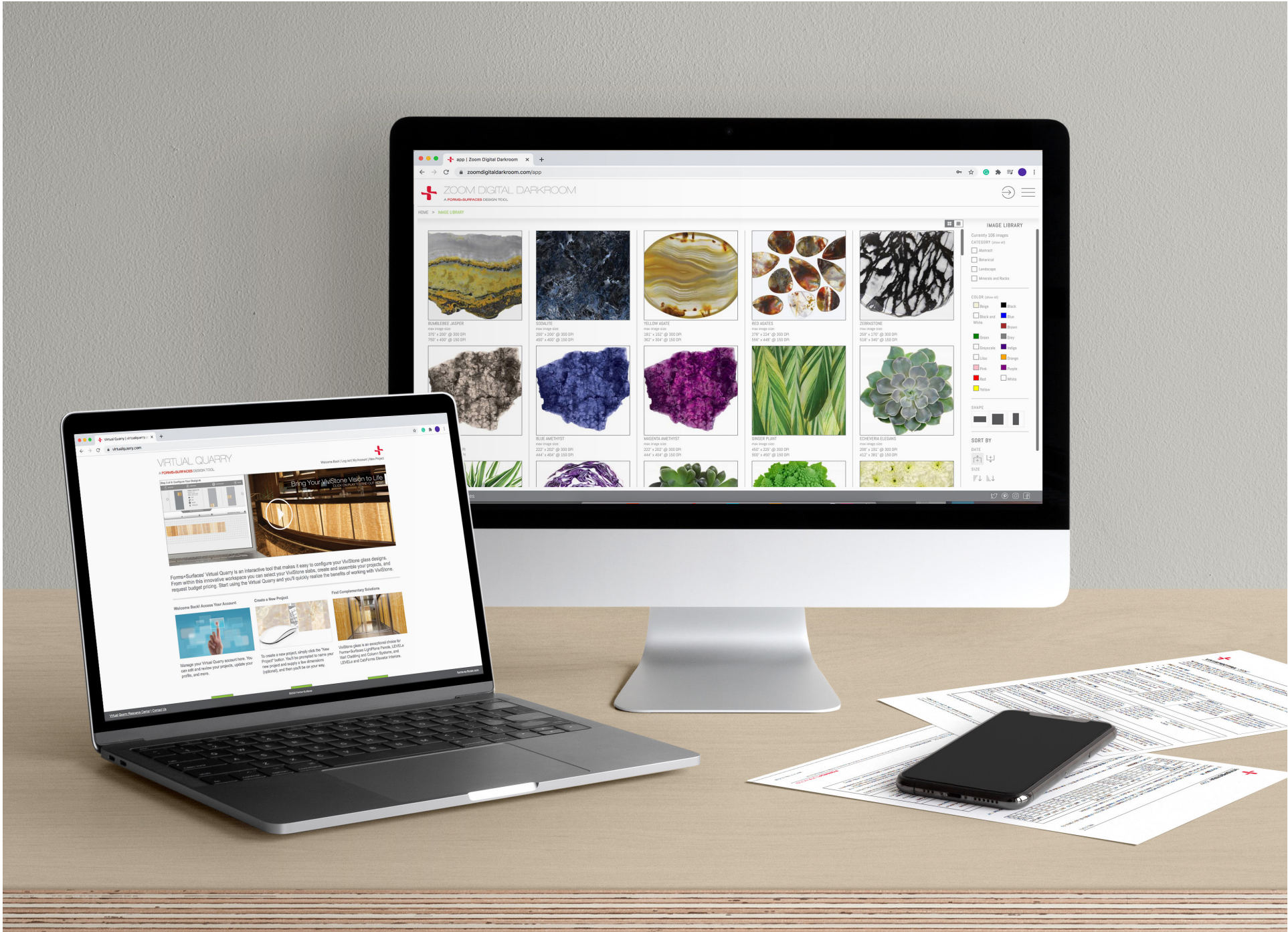
Our interactive Design Tools invite you to bring your imagination to glass—and to many of the Systems shown on the preceding pages. Each blends intuitive design functionality with an easy-to-use interface that allows you to explore ideas, build your designs, share your work, and request budget pricing. Along with the Elevator Design Studio on page 110, the toolbox includes:

The VEKTR Digital Canvas gives you the freedom to transform digital images of any size, from any source, into highly customized ViviSpectra VEKTR glass designs—all in a matter of minutes. Simply capture the shot you want, drag it into the app, and start designing.

The Zoom Digital Darkroom makes it easy to bring the photographic beauty of the world around us to large-scale glass applications with ViviSpectra Zoom glass. Part interactive design studio, part curated photo library, the Zoom Digital Darkroom gives you access to Zoom images—our growing collection of large-scale, super-high-resolution photos. It also gives you the tools you need to get creative with these images.

The Virtual Quarry lets you unleash your creativity, free from the physical constraints of real stone. Within the app you can select from our ViviStone slab libraries and draw on a full suite of tools to bring your ViviStone glass projects to life.

Try them all at www.forms-surfaces.com/design-tools.



COMPREHENSIVE SUPPORT

Systems that Invite Creativity

All of our Systems products balance the convenience of a standardized system with impressive design flexibility. Our Systems let you move seamlessly from bold new concept to installed reality by:

- Providing a framework for our Surfaces: with literally hundreds of material and finish combinations to choose from, you benefit from countless design options as well as the cost-efficiencies of using our Surfaces in our Systems, and vice versa.
- Addressing mechanical details: those you see, like trim pieces and other finishing elements, and those you don't, like attachment systems and mounting assemblies. This gives you the freedom to focus on designs and finishes, while saving on the time and costs associated with custom solutions.
- Offering project-specific technical support that can help you with:
 - Shop drawings and project detailing
 - Material yields
 - Weight calculations
 - Mounting and installation details
 - Budget pricing early in the process

Interrelated Product Lines

Our interrelated product lines make it easy to carry design and material themes across a property.

Within our line you'll find:

Surfaces – as introduced on the preceding pages, an extensive palette of materials, finishes and patterns that can be specified as sheet goods or incorporated into many F+S products.

Systems – the products represented throughout this book: walls, LightPlane Panels, elevator interiors, elevator doors, columns, and doors.

Site Furniture – a versatile group that includes benches, bike racks, litter & recycling receptacles, planters, tables and chairs.

Outdoor Lighting – contemporary designs, precision craftsmanship, and solar technologies shape our collection of bollards and pedestrian fixtures.

Time-Tested Expertise

We recognize that every project is unique, and that multi-faceted projects require an array of talents and capabilities.

For nearly five decades, we've worked with our clients to develop real-world product solutions.

We've also invested steadily in high-end manufacturing facilities and equipment, innovative materials and finishes, and the skilled professionals that make up our team.

So, whether you're navigating building code requirements, ADA guidelines or environmental issues, we're here to support you at every step in the process by giving you access to:

- Unparalleled manufacturing expertise
- State-of-the-art technologies and materials
- Decades of industry experience
- Products with proven performance in demanding environments
- Knowledgeable employees around the world who can assist you with design and engineering challenges, project management, sustainability compliance, and technical and customer support

ADDITIONAL RESOURCES

Visit Our Website: www.forms-surfaces.com

Updated regularly, our website is a comprehensive resource designed to help you discover what's new and stay up-to-date on product and company developments. In support of all of our Systems and Surfaces, you'll find:

- + Product Data Sheets & Design Guides
- + Full-sheet Pattern Drawings
- + Technical Specs
- + Installation Instructions
- + Environmental Data
- + Image Galleries
- + Project References

Contact Us

Contact Forms+Surfaces for additional information about any of our products or to reach a sales representative in a territory near you.

- + Telephone: 800.451.0410
- + General Inquiries: sales@forms-surfaces.com
- + Sustainability: green@forms-surfaces.com

*Sign up for Forms+Surfaces
New Product Announcements at
www.forms-surfaces.com/news*

US LOCATIONS

Pennsylvania

30 Pine Street
Pittsburgh, PA 15223
P 800.451.0410
P 412.781.9003
F 412.385.4715

California

5055 6th Street
Carpinteria, CA 93013
P 800.451.0410
F 412.385.4715

Arizona

1025 North 71st Avenue
Phoenix, AZ 85043
P 800.451.0410
F 412.385.4715

INTERNATIONAL LOCATIONS

UK / Europe

1st Floor, Holborn Gate
330 High Holborn, Holborn
London WC1V 7QT
P +44 203 755 3731
F +44 207 841 1001

Middle East

Suite B 307, Dubai Silicon Oasis
PO Box 341052, Dubai, UAE
P +971 4 501 5605
F +971 4 501 5606

Middle East

Level 2, Louis Vuitton Building
Suite 2029, Allenby Street
Beirut, Lebanon
P +961 1 957540

India

Office No. 104, Pentagon 4,
Magarpatta City, Hadapsar,
Pune 411028, MH, India
P +91 20 67482400

Singapore

60 Kaki Bukit Place,
#02-10, Eunos Tech Park
Singapore 415979
P +65 6748 8383
F +65 6441 1185

FORMS+SURFACES®

offices worldwide | 800.451.0410 | 412.781.9003 | www.forms-surfaces.com